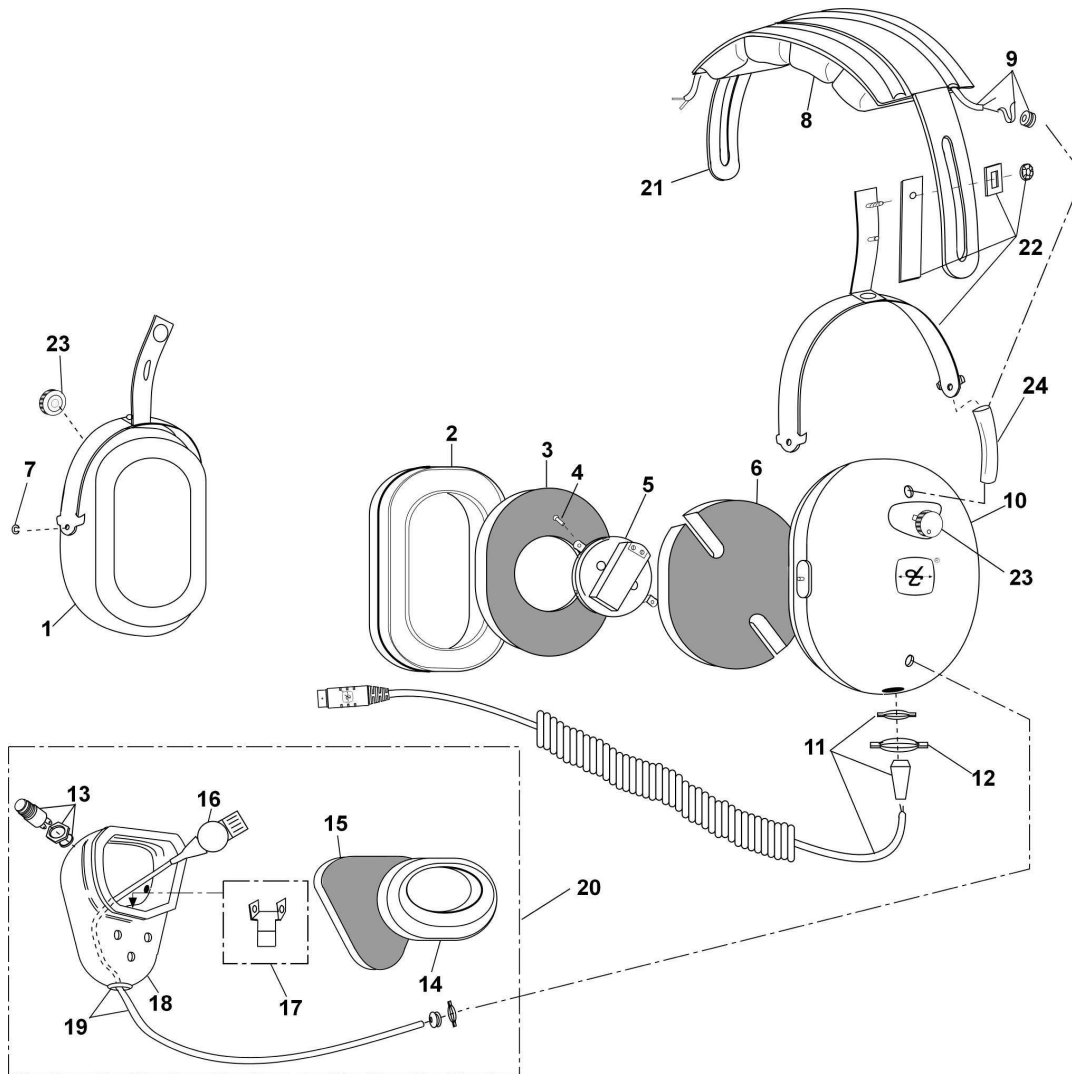


# David Clark COMPANY

INCORPORATED

360 Franklin Street, Box 15054, Worcester, MA 01615-0054  
TEL.: (508) 751-5800 E-Mail: sales@DavidClark.com FAX: (508) 753-5827

## PARTS LIST MODEL H9910



No.	Description	Part No.
1	Dome, Right	11353P-72
2	Undercut Gel Earseal (pair)	40863G-02
3	Filter	25629P-03
4	Screw (10/pk)	13180P-07
5	Earphone Assembly	10376G-55
6	Dome Filter	26475P-02
7	Retaining Ring (10/pk)	00009M-03
8	Headpad Assy	40075G-02
9	Overhead Cord Kit	22607G-01
10	Dome, Left	11353P-71
11	Comm Cord Assy Kit	40599G-98
12	Clamp	24433P-19

No.	Description	Part No.
13	Push-To-Talk Switch	09851P-51
14	Cushion, Mic Shield Assy	18417G-02
15	Mic Shield Filter	24653P-02
16	Microphone M-87 150 OHM	09168P-56
17	Microphone Bracket Assy Kit	18317G-02
18	Microphone Shield	11389P-22
19	Microphone Cord Assembly	18867G-19
20	Shield Assy with Microphone	18226G-11
21	Headband Spring	15671P-04
22	Stirrup Assembly	22378G-22
23	Volume Control	09349P-57
24	Heat Shrink Tube (10/ipk)	18326P-02

# ELECTRICAL SCHEMATIC MODEL H9910

