

ACR Nauticast™ Receive Only

Automatic Identification System

Receive Only

The Science of Survival

ACR

COBHAM



ACR Nauticast™ Receive Only

Receive Only Automatic Identification System



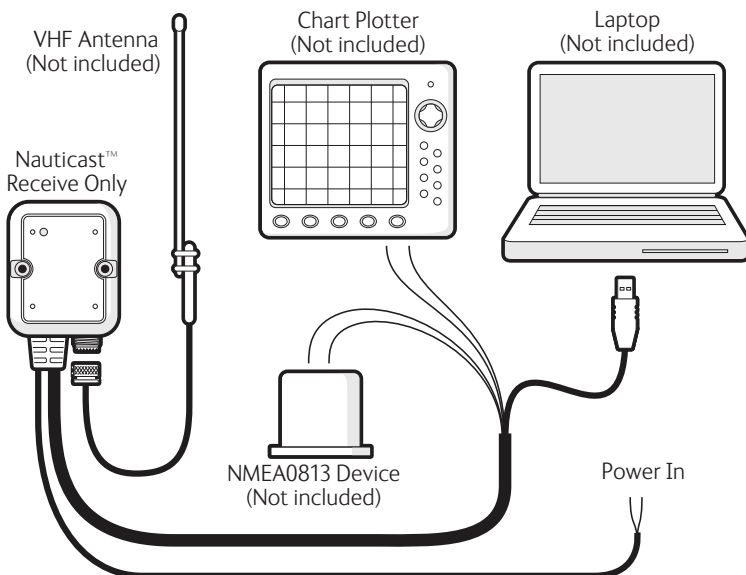
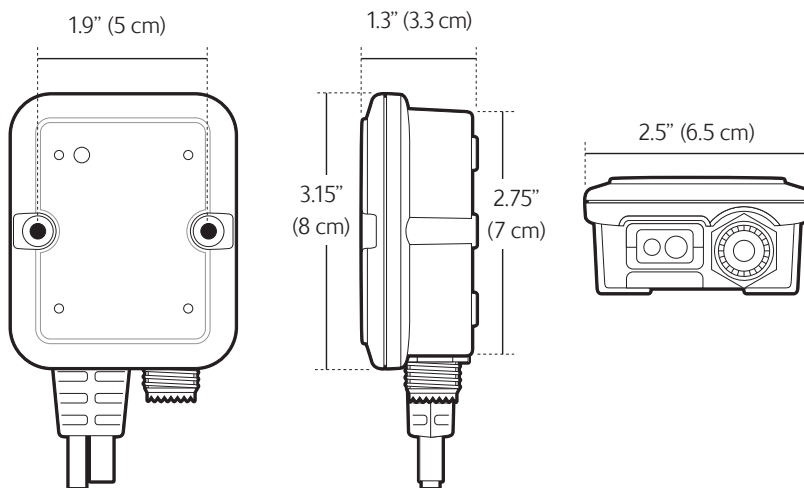
The ACR Nauticast™ AIS receiver captures real time AIS data and turns your computer charts, radar or chart plotter into a dynamic navigation safety tool. With its dual channel receiver, the Nauticast™ offers exceptional sensitivity to ensure maximum range and reception of all AIS transmissions from both Class A and Class B AIS systems.

Our state of the art receiver uses highly sophisticated AIS software which allows for its small size and low cost. The marine grade, water resistant housing mounts discretely below deck or in an electronic box.

AIS increases navigational safety by receiving vessel identification, position, course and speed of other AIS equipped vessels and base stations. This helps reduce the difficulty of identifying ships when not in sight and understanding their navigational intentions.

- // Built-in multiplexer for additional NMEA0183 additional party devices
- // Dual Channel receiver ensures that all AIS messages are received, both Class A and Class B messages simultaneously

- // Exceptional receiver sensitivity ensures maximum range in the field
- // Standard NMEA0183 output enables simple interfacing with most AIS enabled chart plotters
- // Robust fire retardant, marine grade, water resistant plastic enclosure
- // USB connectivity for simple integration with PC charting software
- // 12 or 24 V DC power input
- // Mates with marine standard PL259 VHF Antenna connector



Product Number	2675
Model Number	AIS-RX
Size	3.1 x 2.5 x 1.3" (8 x 6.5 x 3.3 cm)
Weight	7 oz. (200 g)
Power	12 or 24V DC (9.6V to 28.8V max) Consumption: 90mA nominal at 12V
Connectors	VHF antenna connector—SO-239 USB type A plug on 1m flying leads NMEA0183 data - color coded wires on 1m flying leads Power via 1m flying leads
Electrical Interfaces	NMEA 0183 Interface (Multiplex)Output 38400 Baud (Into AIS capable Chart Plotter) Input 4800 Baud (From third NMEA device thru Receiver to Chart Plotter) (Older chart plotters may require NMEA multi plexer)
VHF Transceiver	Receiver 1 frequency: 161.975 MHz Receiver 2 frequency: 162.025 MHz
Modulation Mode	25KHz GMSK
Bit Rate	9600 b/s
RX Sensitivity	<-112 dBm (message error rate 20%)
Operating Temp	-13° to 131°F (-25° to 55°C)
IP Rating	IPx2
Limited Warranty	1 year

For further information please contact:

United States
5757 Ravenswood Rd.
Ft. Lauderdale, FL 33312, U.S.A.
Tel Worldwide: +1 (954) 981-3333
Fax: + 1 (954) 961-4403

www.acrelectronics.com

ACR Electronics Europe GmbH
Handelskai 388 / Top 632
1020 Vienna
Austria
T +43 (1) 5 237 237 – 0
F +43 (1) 5 237 237 – 150

M info@acr-europe.com
W www.acr-europe.com