

RCL-75



Product 1946

180,000 CD Remote Controlled Searchlight

- > Housing of ASA material maintains integrity after five years of UV exposure
- > Dual lamp design provides redundancy, reliability
- > Robust function-and feature-rich unit is easy to install
- > Includes easy-to-install Point Pad™-style remote control, and surface mount or flush mount option included
- > Now second station capable; adapter and second remote Point Pad™ allow for second station operation (option)
- > 7-wire wiring harness, 17 ft (5.18 m) length now with waterproof connector at the light
- > Electronics located in water-resistant light head for protection from water intrusion

- > Ocular design provides 18° up/45° down pitch for enhanced visibility when docking or to illuminate drawbridges; 361° rotation
- > Lamps rated for 200 hrs of use and are easily replaced
- > Application: Pleasure boats, sport yachts, sport fish and commercial vessels
- > 1" stackable rings to increase height

Size: 7.5 x 8.75 x 7.5 in (19.1 x 22.2 x 19.1 cm)

Weight: 4.2 lbs (1.9 kg)

Material: UV ASA

Color: White

Operation: Remote control Point Pad™

Beam Angle: 3° vertical, 7° horizontal

Elevation Angle: 18° up, 45° down

Elevation Speed: 6°-7° per second

Rotation: 361°

Rotation Speed: 6°-7° per second

Lamp: Two high intensity 55W Halogen

Limited Warranty: 1 year

Accessories: 9442 Second station harness adapter (splitter);

9427 Stackable mounting rings;

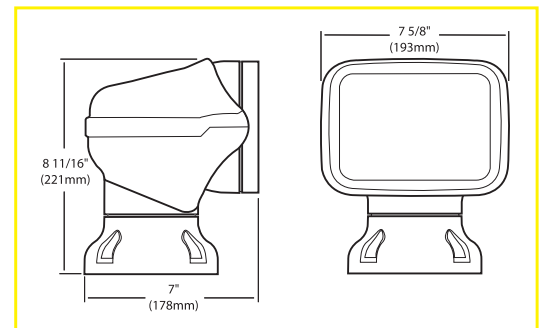
9428 Second station Point Pad

9426 Wiring harness, 17 ft

Carton Dimensions: 10.0 x 9.0 x 9.0 in (25.4 x 22.9 x 22.9 cm)

Units Per Carton: 1

Carton Weight: 7 lbs (3.2 kg)



ACR Electronics, Inc.

5757 Ravenswood Road
Fort Lauderdale, FL 33312, U.S.A.
Tel Worldwide: +1(954) 981-3333
Fax: +1(954) 983-5087
www.acrelectronics.com