

Read This First!!

BBWX2 Installation Guidelines

FOR NavNet 3D ONLY

This guide is intended as a supplement to the Operator's and Installation Manuals contained on the DVD. Please refer to both documents as required.

In order to properly connect and configure the BBWX2 with the NavNet 3D the following items MUST be completed.

1. **Update (or confirm) all of the NN3D MFD processors and displays to the BBWX2 compatible software.** This software must be version 1.11 or higher. The software and instructions are located on the DVD.
2. **Record the DATA ESN** (not audio ESN) from the back of the BBWX2, **then call Sirius (1-800-869-5480) to activate the WX (weather) subscription.** The subscriber's contact and payment information must be available to activate the account.
3. **Connect the BBWX2 to the NN3D network.** (See diagrams)

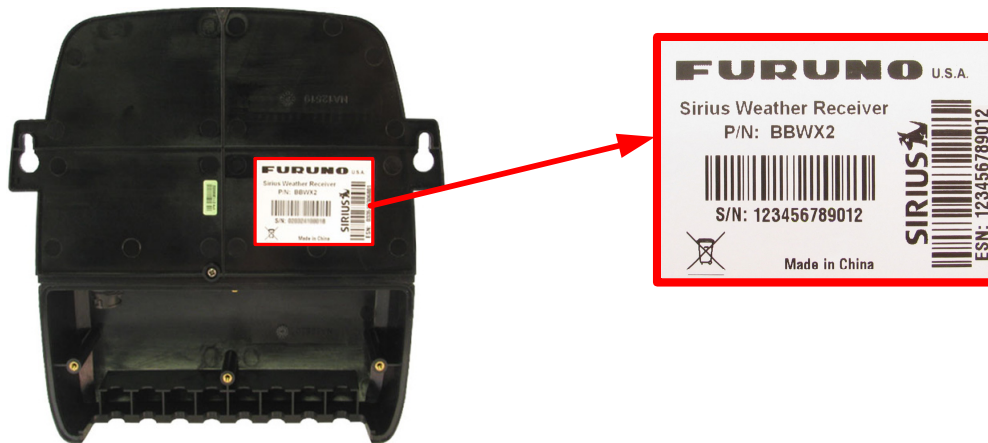
To activate the BBWX2 Sirius Weather receiver

1. Write down the DATA ESN number

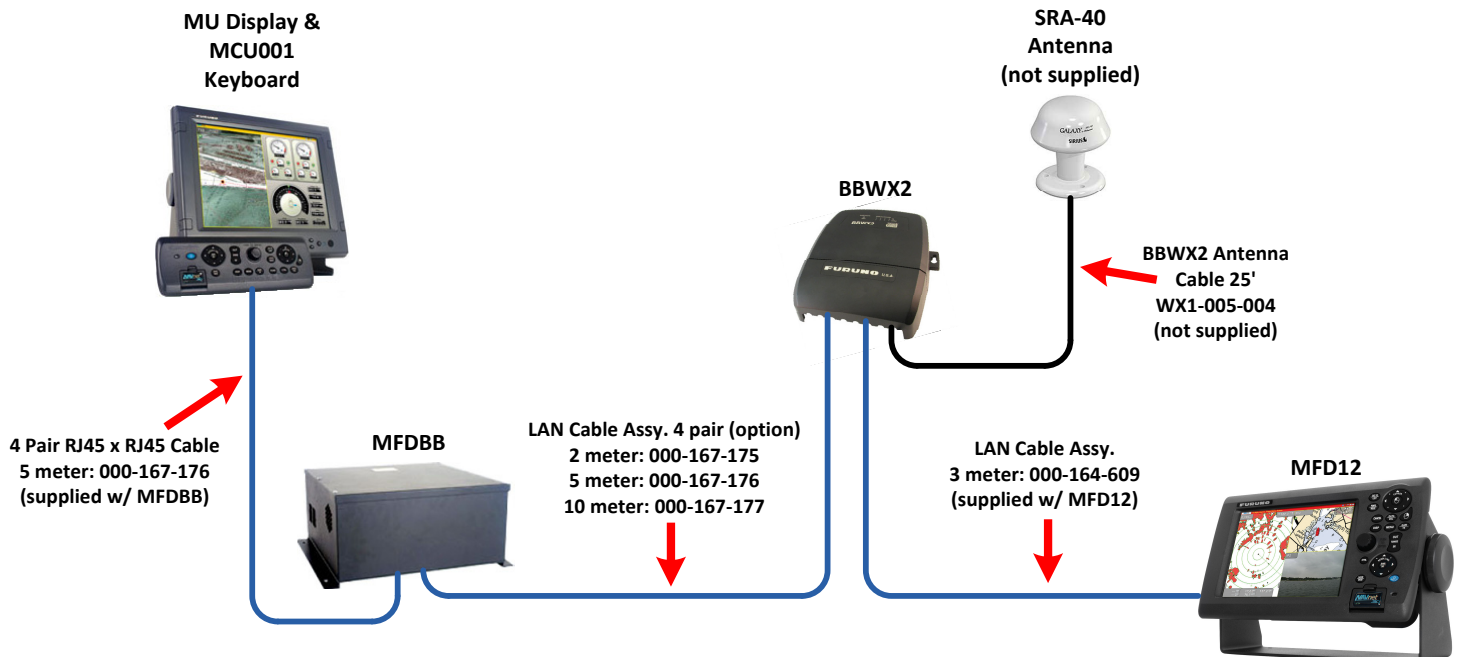
(located on the white sticker on the bottom of the receiver module)

2. Connect the Sirius antenna and power cable to power on the receiver.

3. Call Sirius at (800) 869-5480, to initiate the account activation.



Connecting the BBWX2 to the NN3D Network



For connection information, see BBWX2 Installation Guide.