

# *Installation Manual*

## **INMARSAT FLEETBROADBAND FELCOM 250/FELCOM 500**

---

<b>SAFETY INSTRUCTIONS .....</b>	<b>i</b>
<b>SYSTEM CONFIGURATION .....</b>	<b>ii</b>
<b>EQUIPMENT LISTS.....</b>	<b>iii</b>
<b>1. HOW TO INSTALL THE UNIT .....</b>	<b>1</b>
1.1 Antenna Unit .....	1
1.2 Communication Unit.....	11
1.3 IP Handset .....	12
1.4 Incoming Indicator (option).....	13
1.5 Facsimile FAX-2820 (Option).....	15
1.6 Telephone FC755D1 (Option).....	16
<b>2. CONNECTIONS .....</b>	<b>19</b>
2.1 Standard Connection .....	19
2.2 Antenna Cable .....	20
2.3 Communication Unit.....	23
2.4 Notice for network connection.....	26
<b>3. SETTING AFTER INSTALLATION.....</b>	<b>27</b>
3.1 Preparation for Setting .....	27
3.2 GPS Setting .....	30
3.3 Analog Port Setting .....	31
3.4 Incoming Indicator Setting.....	32
3.5 Serial Port Setting .....	33
3.6 Satellite Setting .....	34
3.7 OTA Setting.....	35
3.8 Handset Setting.....	36
<b>JIS CABLE GUIDE .....</b>	<b>AP-1</b>
<b>PACKING LIST.....</b>	<b>A-1</b>
<b>OUTLINE DRAWINGS.....</b>	<b>D-1</b>
<b>INTERCONNECTION DIAGRAM .....</b>	<b>S-1</b>

**FURUNO ELECTRIC CO., LTD.**[www.furuno.co.jp](http://www.furuno.co.jp)

All brand and product names are trademarks, registered trademarks or service marks of their respective holders.

**ECF**

(Elemental Chlorine Free)

The paper used in this manual  
is elemental chlorine free.

**FURUNO ELECTRIC CO., LTD.**

9-52 Ashihara-cho,  
Nishinomiya, 662-8580, JAPAN

Telephone : +81-(0)798-65-2111

Fax : +81-(0)798-65-4200

• FURUNO Authorized Distributor/Dealer

All rights reserved. Printed in Japan

Pub. No. IME-56660-B1

(TATA ) FELCOM500/FELCOM250

A : AUG . 2009

B1 : JAN . 05, 2010





\* 0 0 0 1 7 0 9 7 9 1 1 \*




# SAFETY INSTRUCTIONS

Read these safety instructions before you operate the equipment.


 <b>WARNING</b>	Indicates a condition that can cause death or serious injury if not avoided.
 <b>CAUTION</b>	Indicates a condition that can cause minor or moderate injury if not avoided.

 Warning, Caution	 Prohibitive Action	 Mandatory Action
--	--	--

**WARNING**


 **Do not open the equipment unless totally familiar with electrical circuits and service manual.**

Only qualified personnel should work inside the equipment.

 **Do not approach the radome closer than 1.4 m (FELCOM 500) or 0.7 m (FELCOM 250) when it is transmitting.**


The radome emits radio waves which can be harmful to the human body, particularly the eyes.


RF power density on antenna aperture	FELCOM500 distance	FELCOM250 distance
100W/m <sup>2</sup>	-	-
25W/m <sup>2</sup>	0.5 m	0.4 m
10W/m <sup>2</sup>	1.4 m	0.7 m

 **Turn off the power at the mains switchboard before beginning the installation. Post a sign near the switch to indicate it should not be turned on while the equipment is being installed.**


Fire, electrical shock or serious injury can result if the power is left on or is applied while the equipment is being installed.

**WARNING**

 **Ground the equipment to prevent electrical shock and mutual interference.**

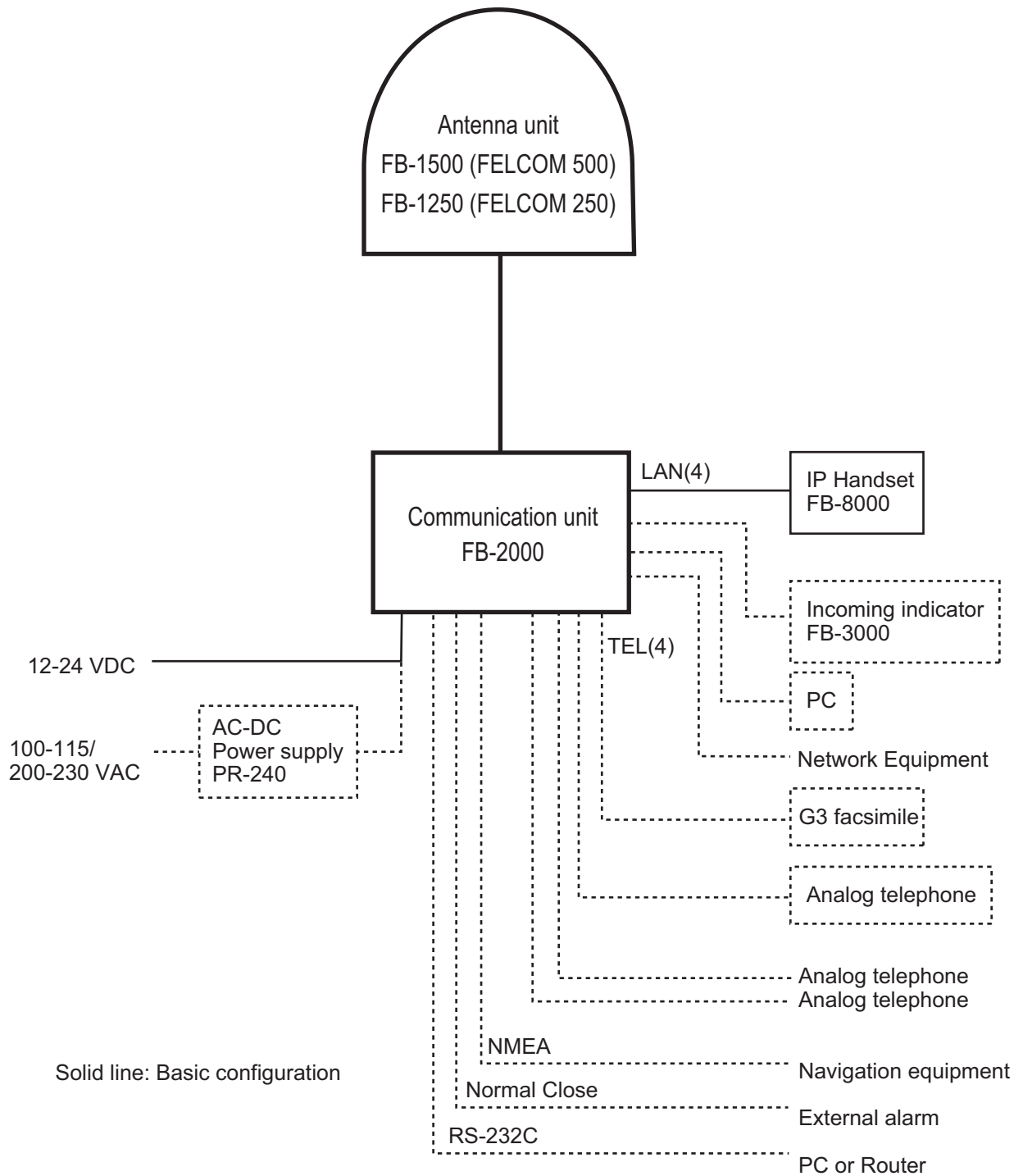
 **Confirm that the power supply voltage is compatible with the voltage rating of the equipment.**

Connection to the wrong power supply can cause fire or damage the equipment.

 **Keep the following compass safe distances to prevent interference to a magnetic compass.**

Unit	Standard compass	Steering compass
FELCOM 500 Antenna Unit	0.75m	0.40 m
FELCOM 250 Antenna Unit	0.70m	0.40 m
Communication Unit	0.40 m	0.30 m
IP Handset	0.70 m	0.45 m
Facsimile	1.30 m	0.80 m
Telephone	0.50 m	0.40 m
Incoming Indicator	0.45 m	0.30 m
AC-DC Power Supply	0.90 m	0.60 m

# SYSTEM CONFIGURATION



## Environmental Category

Antenna unit	To be installed in an exposed area
Communication unit, IP handset, etc.	To be installed in a protected area

# EQUIPMENT LISTS

## Standard Supply

Name	Type	Code No.	Qty	Remarks
Antenna unit	FB-1500	-	1	For FELCOM 500
	FB-1250	-		For FELCOM 250
Communication unit	FB-2000	-	1	
IP handset	FB-8000	-	1	
Installation materials*	CP16-04100	000-015-746	1	30 m antenna cable
	CP16-04110	000-015-747		50 m antenna cable
	CP16-04120	000-015-865		40 m antenna cable
	CP16-03810	000-015-759	1	For FB-2000
	CP16-03901	001-067-350	1	For FB-8000
Accessories	FP16-02200	000-015-762	1	CD-ROM for FB-2000
	FP16-02301	001-067-340	1	Filter cleaner for FB-8000
Spare parts	SP16-01901	001-067-320	1	Fuses for FB-2000

\*: See lists at the back of this manual.

## Optional Supply

Name	Type	Code No.	Remarks
Incoming indicator	FB-3000	000-015-763	w/CP16-04001
Telephone	FC755D1	000-043-369	w/CP16-00511, 00512
Facsimile	FAX-2820	-	w/CP16-03500, 220VAC
Transformer	OP16-25	004-446-850	Transformer TSU-N05E +cable for FAX-2820
Drum unit	DR-20J	000-170-982-10	For FAX-2820
Toner cartridge	TN-25J	000-170-983-10	For FAX-2820
AC-DC power supply	PR-240	-	
IP handset	FB-8000	-	
Coaxial cable	12D-SFA-CV	000-136-423-11	100 m for antenna cable
Installation materials	CP16-04121	001-067-300	Connector N-SP-12DSFA-CF for cable 12D-SFA-CV
	CP16-04131	001-067-310	Connector N-P-18U-CF (2 pcs) for RG-18
Connector	CP03-28901	008-542-460	Modular connector MPS588-C 2 pcs for LAN cable

Name	Type	Code No.	Remarks
LAN cable	MOD-Z072-020+	000-167-175-10	2 m, modular plug for both ends
	MOD-Z072-050+	000-167-176-10	5 m, modular plug for both ends
	MOD-Z072-100+	000-167-177-10	10 m, modular plug for both ends
	FR-FTPC-CY *10m*	000-147-472-10	10 m with armor, no plug
	FR-FTPC-CY *20m*	000-147-473-10	20 m with armor, no plug
	FR-FTPC-CY *30m*	000-147-474-10	30 m with armor, no plug
	FR-FTPC-CY *50m*	000-153-326-10	50 m with armor, no plug
	FR-FTPC-CY *100m*	000-153-327-10	100 m with armor, no plug
Modular jack set	OP16-13	000-043-228	MJ-2S, 3 m cord, lug
Modular jack box	OP16-8	000-043-272	MJ-2S, lug
Joint box	TL-CAT-012	000-167-140-10	Fro LAN cable extension
Cable assy.	81-521-1204-010	000-127-108-11	5 m cable w/ D-sub 9 pin connector at both ends
Incoming Indicator	KK-893-3977	000-148-478	For analog TEL.
Modular jack box	OP16-10	000-043-278	Box type
	OP16-11	000-043-279	Flush mount type

This product includes software to be licensed under the GNU General Public License (GPL), GNU Lesser General Public License (LGPL), BSD, Apache, MIT and others. The program(s) is/are free software(s), and you can copy it and/or redistribute it and/or modify it under the terms of the GPL or LGPL as published by the Free Software Foundation. Please access to the following URL if you need source codes.  
[https://www.furuno.co.jp/contact/cnt\\_oss.html](https://www.furuno.co.jp/contact/cnt_oss.html)

This product uses the software module that was developed by the Independent JPEG Group.

France Telecom - TDF - Groupe des Ecoles des Telecommunications Turbo codes patents license.

# 1. HOW TO INSTALL THE UNIT

---

## NOTICE

Do not apply paint, anti-corrosive sealant or contact spray to coating or plastic parts of the equipment.

Those items contain organic solvents that can damage coating and plastic parts, especially plastic connectors.

## 1.1 Antenna Unit

### General

Interfering objects (especially metal objects like masts) near the antenna can, in the worst case, prevent reception or transmission. Further, RF radiation from the antenna will affect the human body. Keep these and the following guidelines in mind when selecting a mounting location for the antenna unit.

### Secure unobstructed path in all directions

The best mounting location secures an unobstructed path between the antenna unit and the satellites, from horizontal to zenith. In other words, whatever the direction the antenna unit is pointing there are no interfering objects within the main beam (22° for FELCOM 500, 40° for FELCOM 250). While this might be feasible on some vessels, on others it is impossible due to space considerations. The antenna unit should be located at least three meters away from masts having a diameter less than 15 centimeters.

### Select a location low in vibration

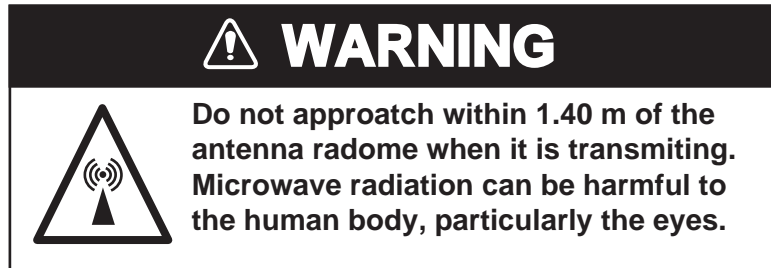
The maximum permissible vibration amplitude in three axis direction should be as shown in the table below. Consult with the shipyard to determine the mounting location which meets the requirements shown in the table.

Freq. Range	Max. Amplitude
4 to 10 Hz	2.54 mm (max. 9.8 m/s <sup>2</sup> )
10 to 15 Hz	0.76 mm (max. 6.86 m/s <sup>2</sup> )
15 to 25 Hz	0.40 mm (max. 9.8 m/s <sup>2</sup> )
25 to 33 Hz	0.23 mm (max. 9.8 m/s <sup>2</sup> )

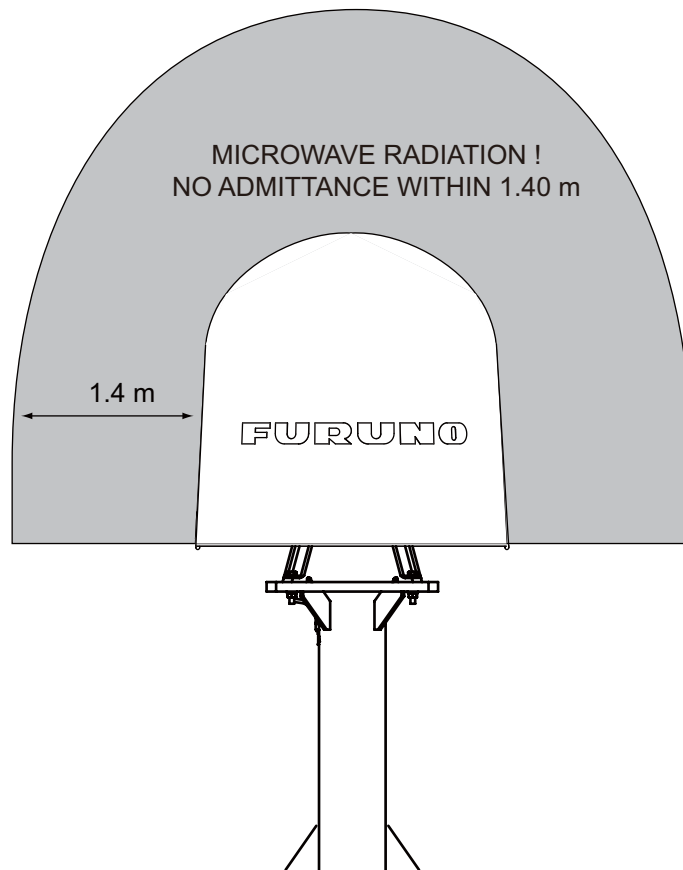
**Locate away from passengers and crew**

Radio waves can be harmful to the human body. Because safe distances change by country and ship construction, there is no standard formula to calculate safe distance. However, below are general guidelines.

- FELCOM 500: Personnel should not approach an area in which the radiation level is higher than 10 W/m<sup>2</sup>, i.e., within 1.40 m from the radome surface.



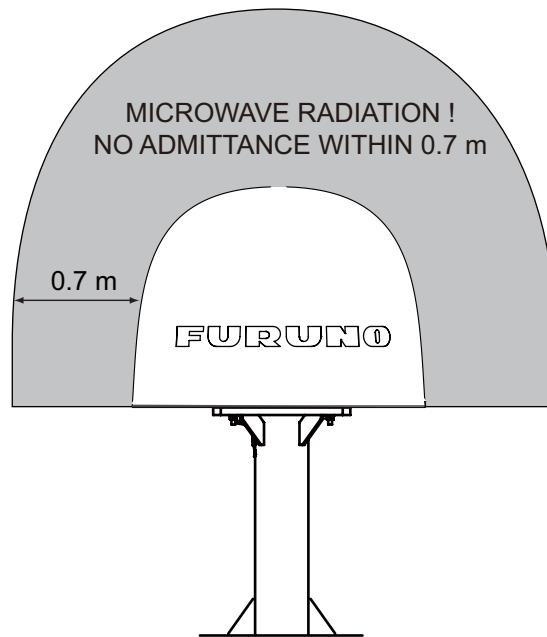
Construct a protective fence around the antenna unit so that personnel can not approach the antenna unit within 1.40 m. Also, to alert personnel not to approach the antenna unit, attach the caution labels (supplied as installation materials) to any bulkhead which is at the position of 1.40 m from the antenna unit.





## 1. HOW TO INSTALL THE UNIT

- FELCOM 250: Personnel should not approach an area in which the radiation level is higher than 10 W/m<sup>2</sup>, i.e., within 0.70 m from the radome surface.



Construct a protective fence around the antenna unit so that personnel can not approach the antenna unit within 0.70 m. Also, to alert personnel not to approach the antenna unit, attach the radiation warning sticker (supplied as installation materials) to any bulkhead which is at the position of 0.70 m from the antenna unit.

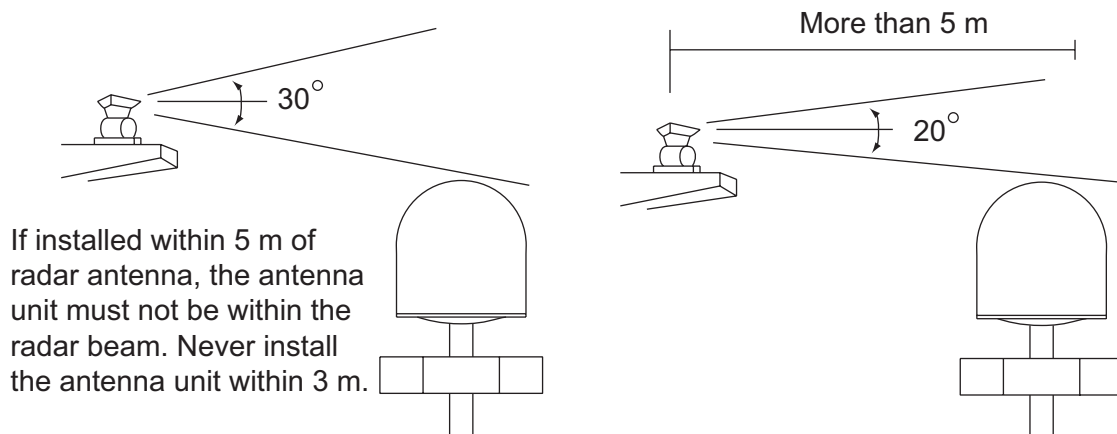
### **Minimum distance from other antennas**

MF/HF antennas, communication/navigation antennas:

The antenna unit should be at least five meters from a MF/HF antenna. The VHF, satellite navigation antenna and other communication antennas should be at least four meters away.

Radar:

The antenna unit should be at least 5 meters away to protect the low-noise amplifier in the FELCOM 500/FELCOM 250 antenna unit. If this distance cannot be secured be sure the antenna unit is not within the radar beam. However, never install the antenna unit within 3 m of a radar antenna



If installed within 5 m of radar antenna, the antenna unit must not be within the radar beam. Never install the antenna unit within 3 m.

*Distance from radar antenna*

**Compass safe distance**

Locating the antenna unit too close to a compass can affect the compass performance. Keep the compass safe distance to prevent interference to the magnetic compass. See page i.

**Other mounting guidelines**

Other important mounting guidelines are

- Locate the antenna unit away from exhaust stacks (foreign material on the radome can interfere with reception and transmission).
- Keep the unit away from heat sources.
- Locate the unit away from places where fuels and chemical solvents are stored.
- Keep in mind the length of the cable from the communication unit is maximum 100 meters (when coaxial cable 12D-SFA-CV is used).

**Guardrail. platform**

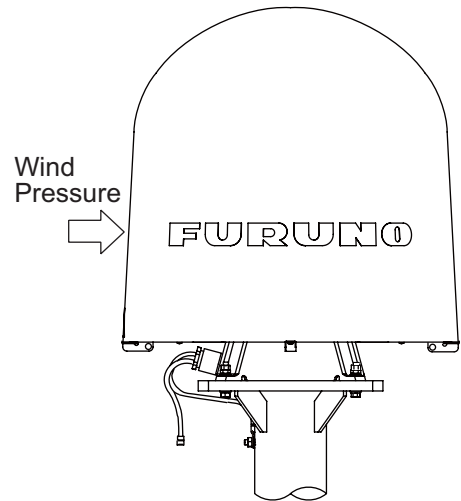
To facilitate servicing, construct a mast of about one meter (40") in height. (See page 5.) The paragraphs which follow provide guidelines for selection and construction of the mast.

Fit the mast with a guardrail and platform (or steps), for serviceman's safety. (In most installations the serviceman stands on the platform while checking the radome. Thus this distance should be secured for ease of servicing.) The height of the guardrail should be as tall as possible to ensure safety.

**Mast strength**

The mast material must be sufficiently strong to meet the demands of the marine environment. It should satisfy the following requirements.

- It must be able to support radome mass plus at least 2.5 cm (1") of ice and snow. Special consideration should be given if the unit is operated in areas of heavy snow or freezing temperature.
- The mast bending moment must be able to withstand expected maximum pitching, rolling and wind pressure.
- To prevent resonance at low frequencies (approximately 5 Hz), four stays can be fixed between the mast and the mounting base.



(Above figure: FELCOM 500)

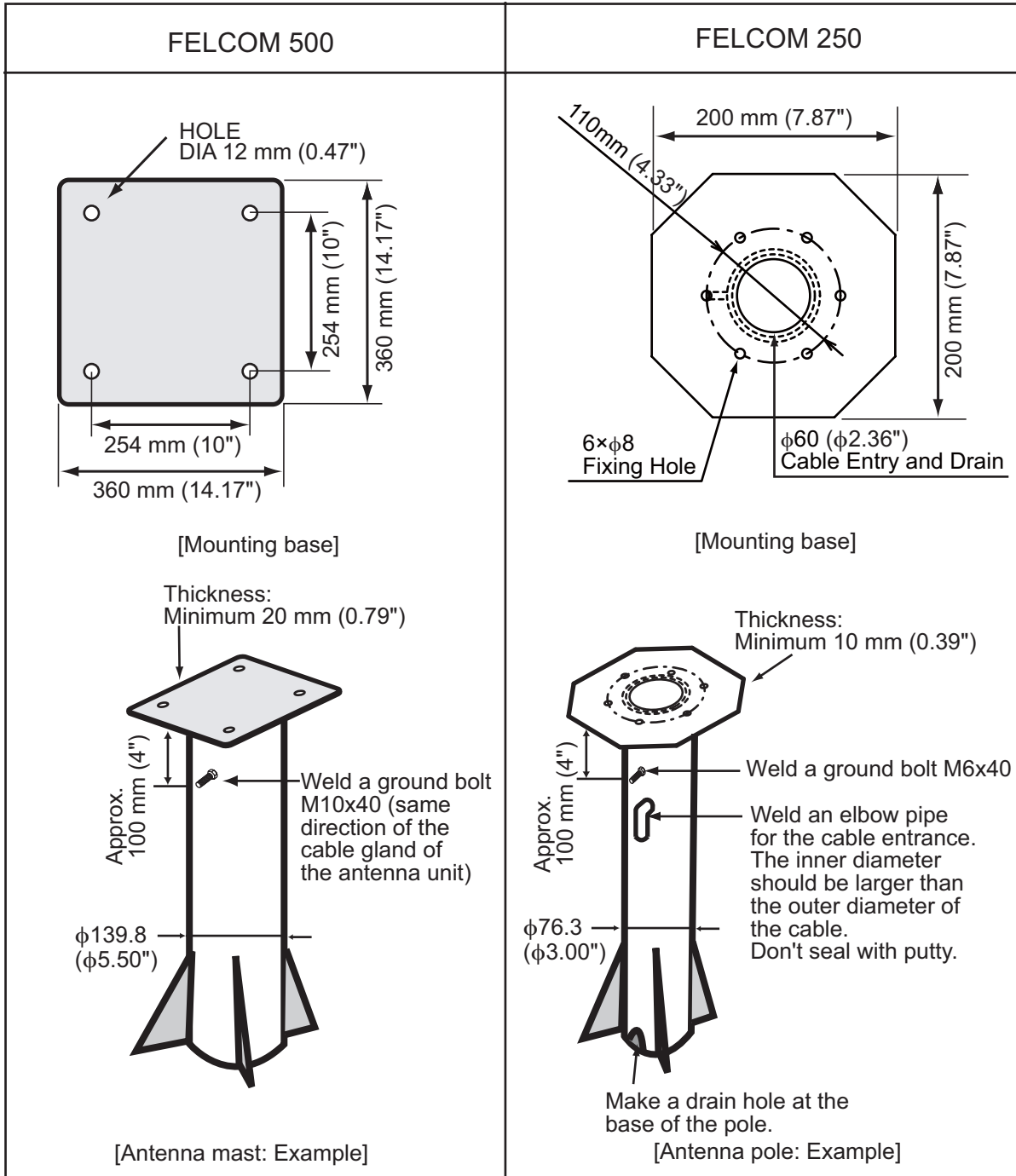
Item	FELCOM 500	FELCOM 250
Antenna unit mass	21 kg (46 lb) ± 10%	6.5 kg ± 10%
Platform, guardrail mass		
Expected ice and snow		
Maximum wind pressure (at wind speed 56 m/s)	280 N	36.3 N

1. HOW TO INSTALL THE UNIT

**Antenna mast and mounting base**

To get the best performance from the antenna electronics and mechanics, the antenna must be installed properly on a specially designed mast with suitable flange and rubber gasket. Below are guidelines for installation of the mounting mast and mounting base.

- The mounting base should be parallel to the ship's waterline (tolerance:  $\pm 3^\circ$ ).
- Weld a ground bolt of stainless steel to the mast (figure below). Connect the ground wire from the antenna unit to the ground bolt.



**FELCOM 500: How to install the antenna unit**

Carefully unpack the radome and check for damage.

Antenna unit installation materials

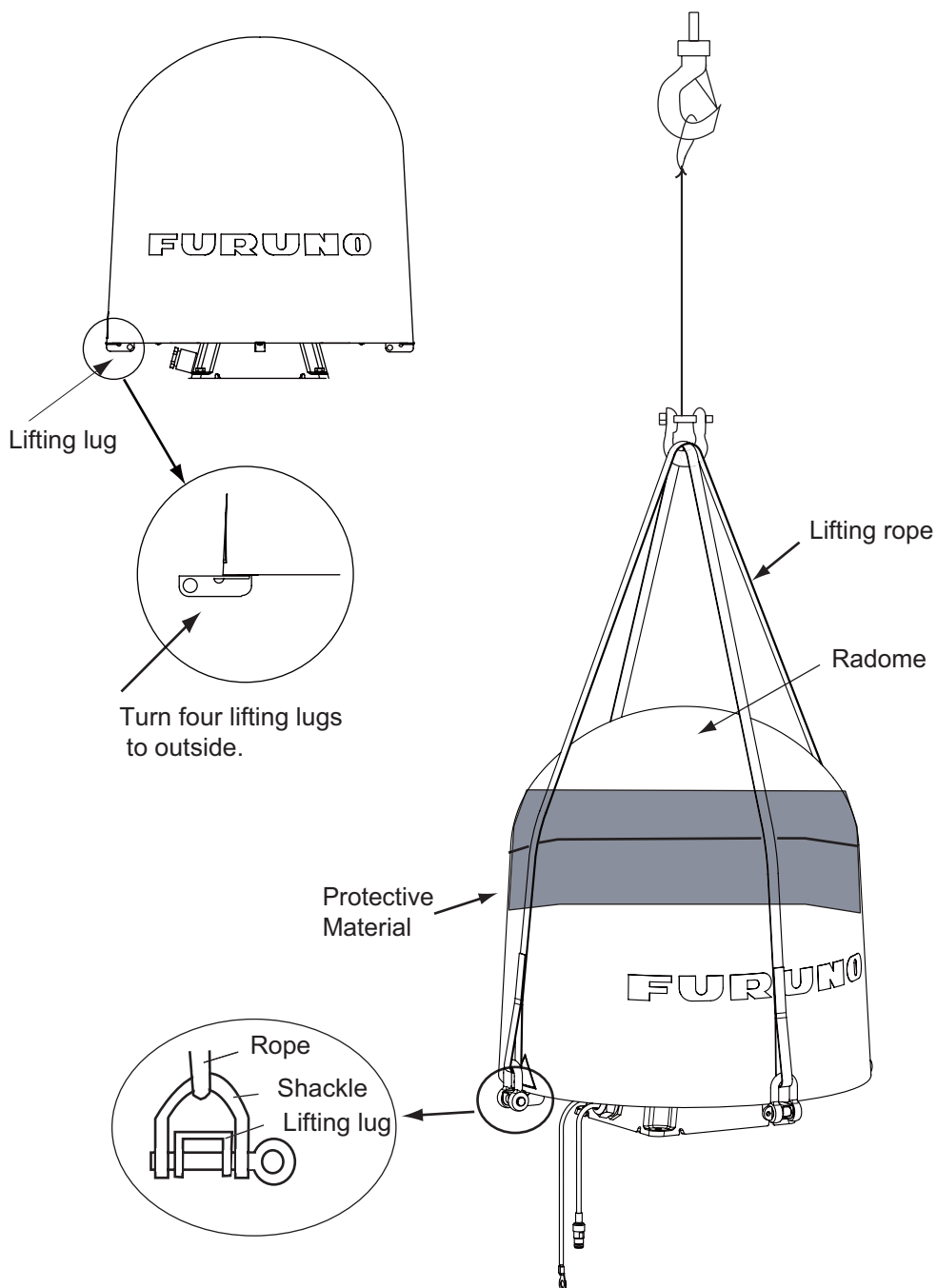
Item	Quantity	Remarks
Silicone sealant	1	50 g
Rubber mat	1	
Radiation warning sticker	1	
Hex bolt	4	M10x60
Hex nut	8	M10
Spring washer	8	M10
Flat washer	8	M10
Seal washer	4	

**Procedure**

1. Loosen four lifting lugs and turn them to outside at the bottom of the radome as shown in the figure on the next page. Then fasten four screws for lifting lugs firmly.
2. Run lifting rope with shackles through lifting lugs.
3. Cover the part of the radome which contacts the lifting rope with protective material (rubber mat, etc.), to prevent damage to the radome when hoisting it to the mounting location.
4. Lift the antenna unit to the mounting location.

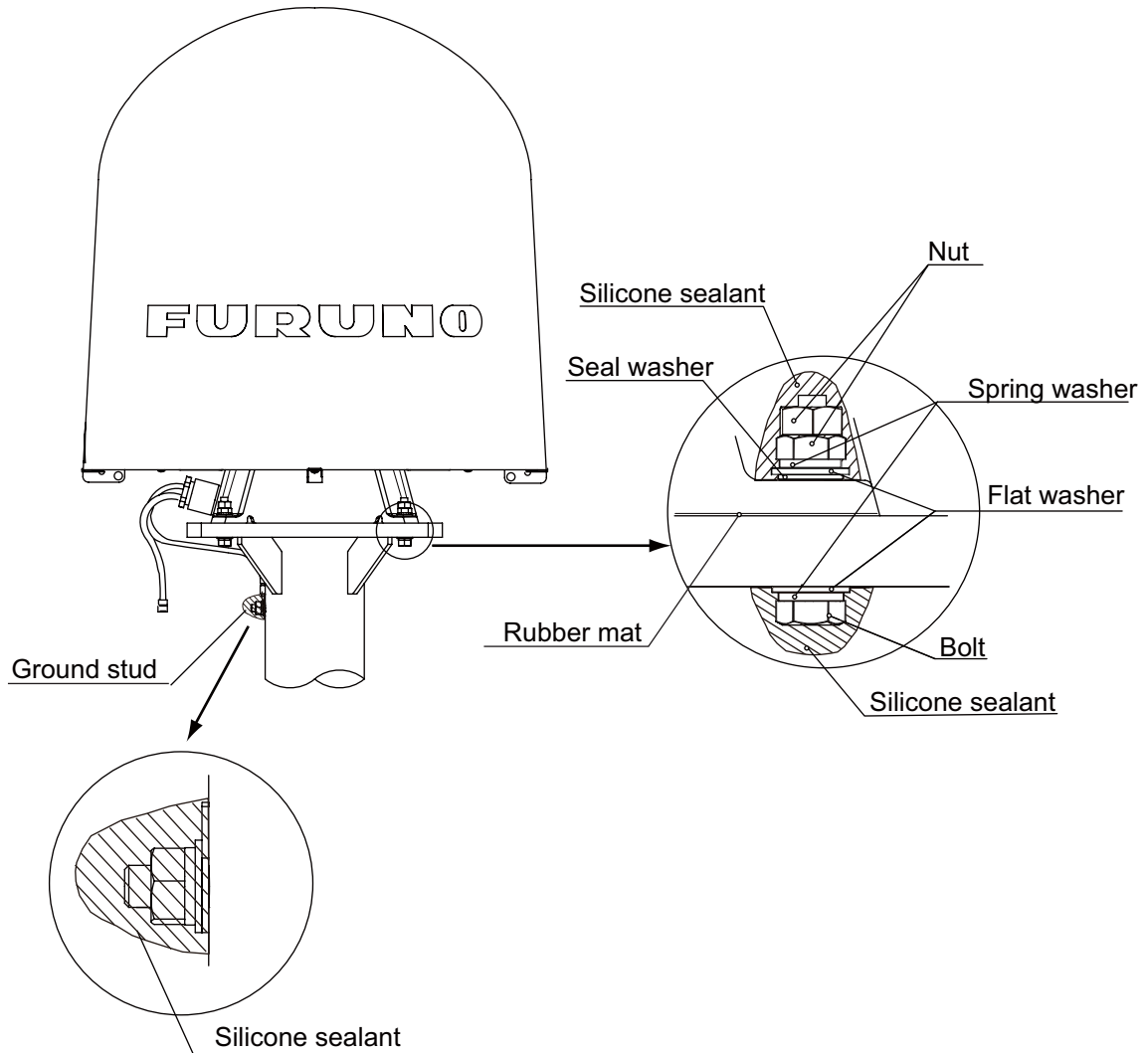
1. HOW TO INSTALL THE UNIT

5. Lay the rubber mat on the mounting base and put the antenna unit on the rubber mat, keeping in mind cable gland direction (standard direction is stern).



6. Fix the antenna unit with four sets of hexagonal bolts and nuts as shown on the next page.  
**Note:** Tighten first nut with torque 36.5 Nm, then tighten second nut with the same torque.
7. Connect the ground wire to the ground bolt.
8. Coat all bolts and nuts with silicone sealant to prevent electrolytic corrosion.

9. Restore the lifting lugs to their original positions.



**FELCOM 250: How to install the antenna unit**

Carefully unpack the radome and check for damage. Run the antenna cable before installation of the antenna unit.

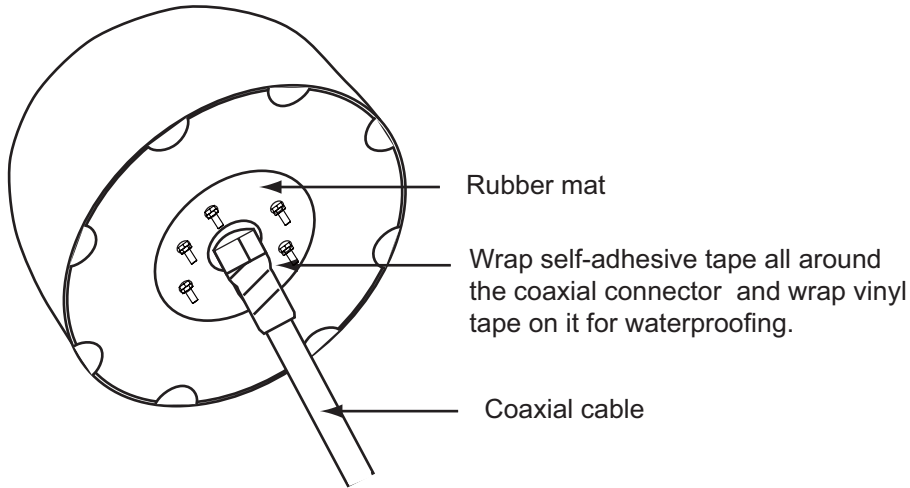
Antenna unit installation materials

Item	Quantity	Remarks
Silicone sealant	1	50 g
Rubber mat	1	
Radiation warning sticker (S)	2	
Radiation warning sticker (L)	1	
Hex nut	12	M6
Spring washer	6	M6
Flat washer	6	M6
Ground wire	1	200 mm, W/6 mm crimp-on lug for both ends

## 1. HOW TO INSTALL THE UNIT

### **Procedure**

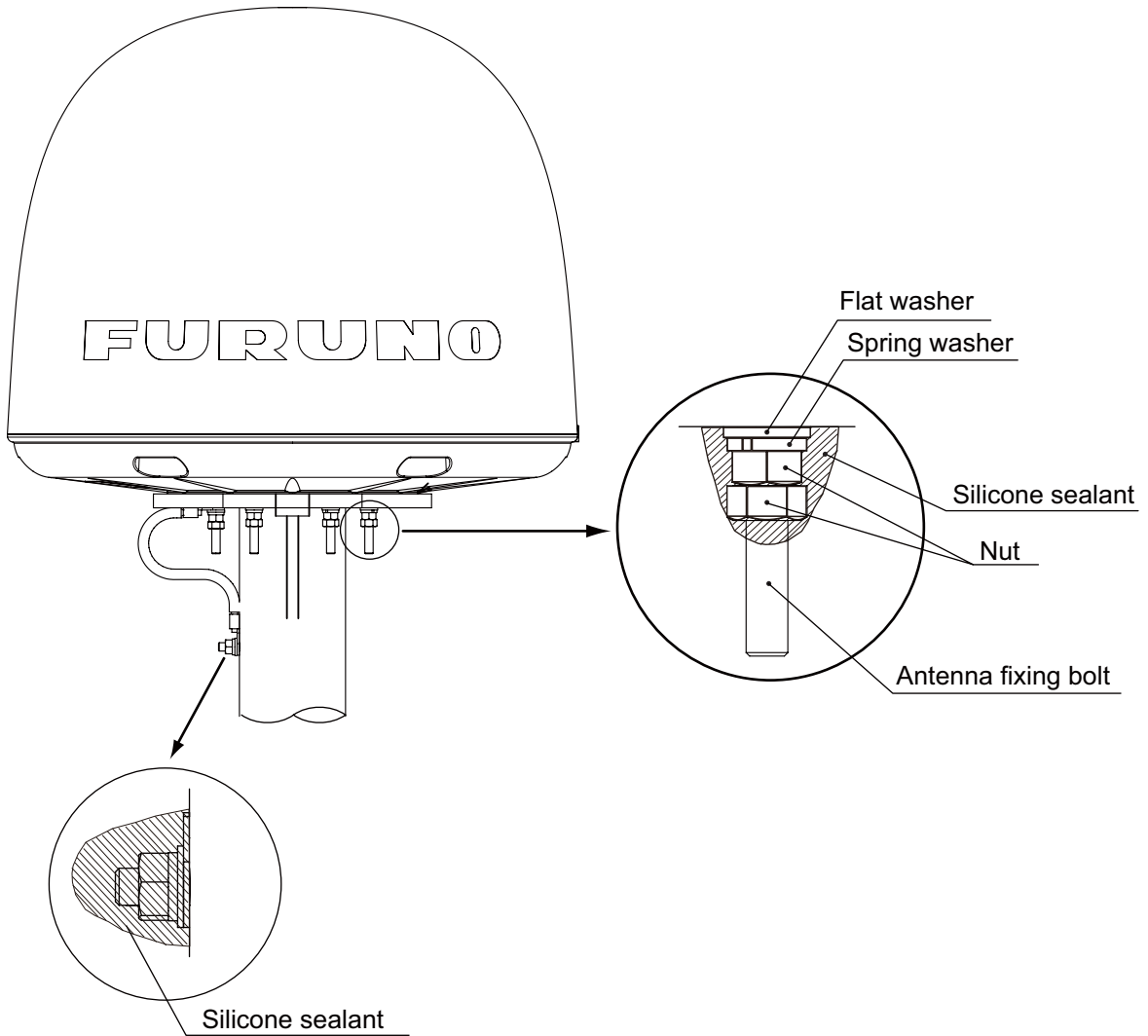
1. Attach the rubber mat on the bottom of the antenna unit.
2. Connect the antenna cable to the coaxial plug on the bottom of the antenna unit.
3. Wrap the self-adhesive tape all around the coaxial connector for waterproofing and wrap the vinyl tape on the self-adhesive tape.



Antenna unit bottom

4. Put the antenna unit on the mounting base.  
The antenna unit is free of direction. However, preferably install the antenna unit, so the FU-RUNO logos face the port/ starboard side.
5. Fasten the ground wire (supplied) to the antenna bolt near the ground stud on the antenna mast and secure with hexagonal nut, spring washer and flat washer.
6. Secure other antenna bolts with a set of hexagonal nuts, spring washers and flat washers as shown below on the next page.  
**Note:** To fix the antenna bolt, tighten first nut with torque 7.65 Nm and then tighten the second nut with the same torque.
7. Connect the ground wire to the ground stud on the antenna mast.
8. Attach the radiation warning sticker (small) to the bow and stern sides of the antenna radome.  
If these locations are not suitable, attach the radiation warning sticker (big) to the ship's body near the antenna radome.

9. Coat all bolts and nuts with silicone sealant to prevent electrolytic corrosion as shown below.



**Note:** The cable entry hole ( $\phi$  60) at the bottom of the antenna function as ventilation hole, allowing trapped moisture to escape the dome. For that reason, ensure the hole is not blocked.



## 1. HOW TO INSTALL THE UNIT

### 1.2 Communication Unit

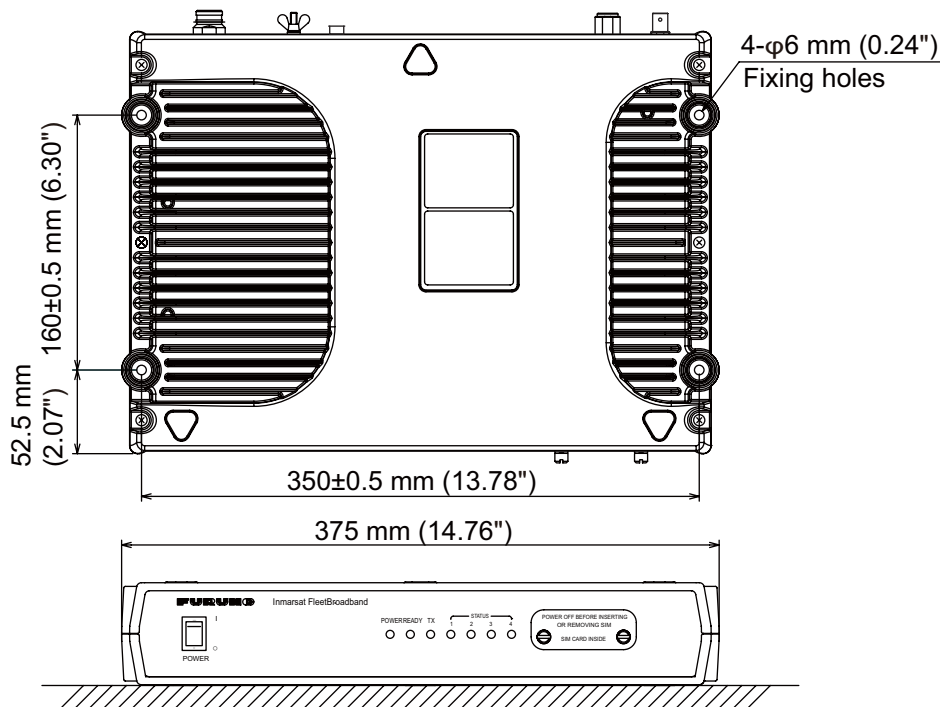
Select a location for the communication unit (CU) by following the information shown below.

- The unit is not waterproof. Keep the unit away from water splash.
- Keep the unit away from direct sunlight.
- The temperature and humidity must meet the requirements shown in the equipment specifications.
- Set the unit away from the exhaust pipes and vents.
- The installation location must have enough cool air.
- Install the unit where shock and vibration meet the requirements shown in the equipment specifications.
- Keep the unit away from the equipment that creates an electromagnetic field, for example, a motor and generator.
- For maintenance and checking, leave enough space at the sides and rear of the unit. Refer to the outline drawing and provide some additional length in cables.
- Follow the recommended compass safe distances shown on page i to prevent the interference to a magnetic compass.

#### **How to install the CU**

Follow the procedure shown below to install the CU on a desktop. See the outline drawing on page D-3 for details.

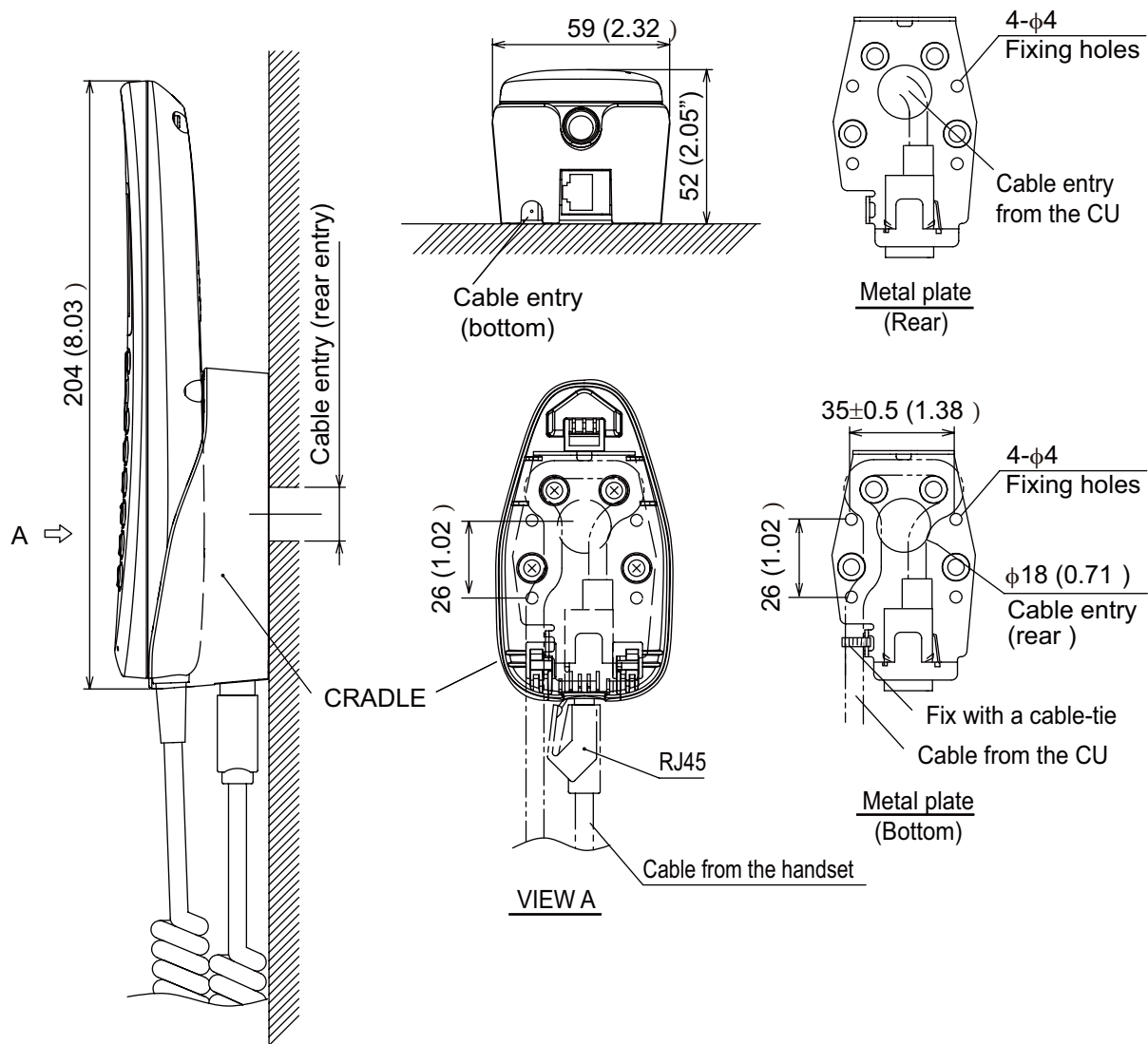
1. Place the template (supplied) of the CU on the installation site.
2. Mark the points for four pilot holes and makes the pilot holes for 5x50 self-tapping screws.
3. Put the unit on the installation site and fix it with four 5x50 self-tapping screws (supplied).



## 1.3 IP Handset

The IP handset functions as a display and it may also be used for normal voice communication. The units (max 26 units) may be installed anywhere onboard the vessel. The IP handset is provided with a cradle. Fix the cradle to the bulkhead or installation panel. The cradle has two cable entries for convenience; bottom and rear.

1. To use the rear cable entry, make a hole of 18 mm (0.71") diameter in the installation site, Refer to the outline drawing.
2. Remove four screws from the cradle to separate the plastic case from the metal plate.
3. Fix the metal plate to the mounting site with four self-tapping screws.
4. Connect the LAN cable from the CU to the inner RJ45 port in the cradle.
5. If the bottom cable entry is used, run the LAN cable as shown in the figure below and fix it with a cable-tie.
6. Reattach the plastic cover.
7. Connect the cable from the handset to the outer RJ-45 port of the cradle.



## 1. HOW TO INSTALL THE UNIT

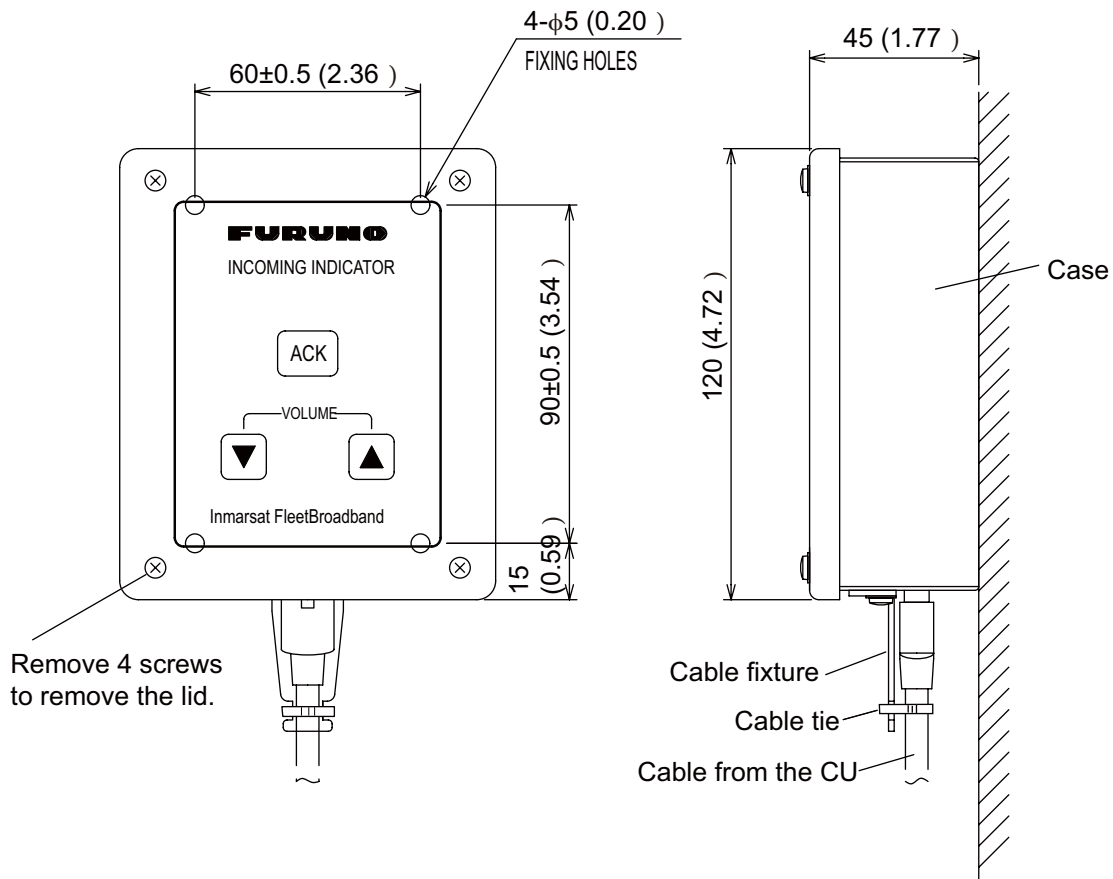
### 1.4 Incoming Indicator (option)

Select a location for the incoming indicator by following the information shown below.

- Keep the unit away from water splash.
- Keep the unit away from direct sunlight.
- Set the unit away from the exhaust pipes and vents.
- Follow the recommended compass safe distances shown on page i to prevent the interference to a magnetic compass.

#### **How to install on the bulkhead or bridge panel**

1. Remove four screws from the unit to remove the lid.
2. Fix the case with four 4x16 self-tapping screws (supplied).
3. Reattach the lid with four screws.
4. Connect the cable from the CU.
5. Attach the cable fixture (supplied) with two screws.
6. Fasten the cable to the cable fixture with the cable tie (supplied).

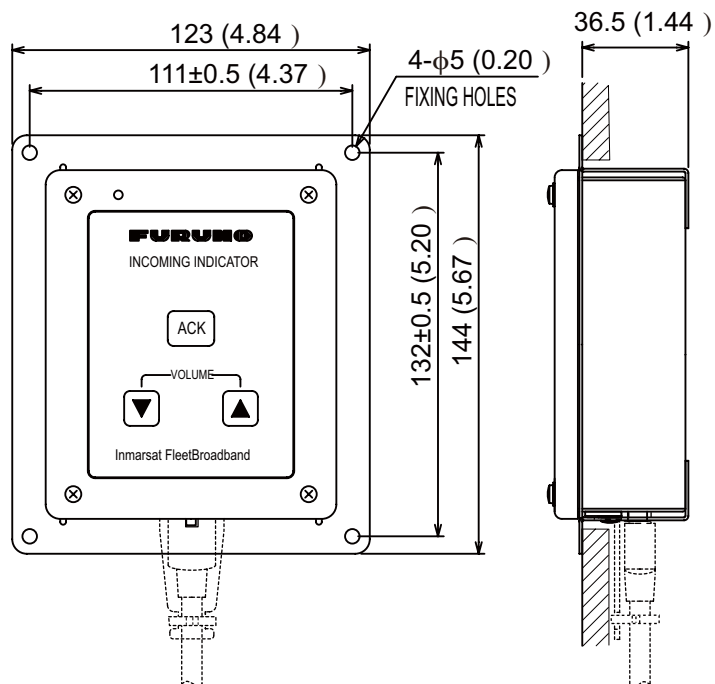
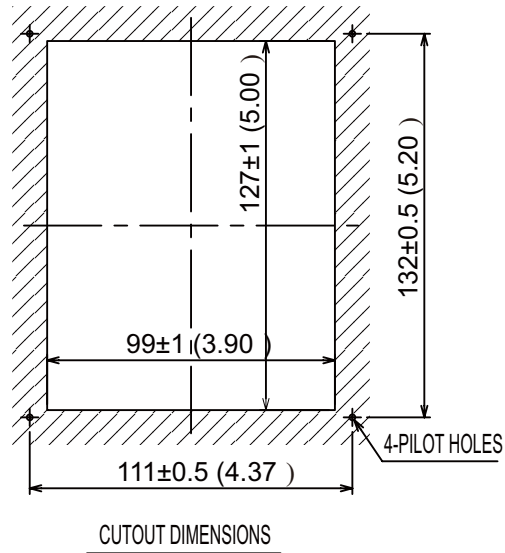


#### **How to install by the flush mount**

1. Prepare a cutout in the installation location and make four pilot holes. Refer to the outline drawings.
2. Set the flush mount plate (supplied) to the cutout and fix it with four 4x16 self-tapping screws (supplied).
3. Remove four screws from the unit to remove the lid.

## 1. HOW TO INSTALL THE UNIT

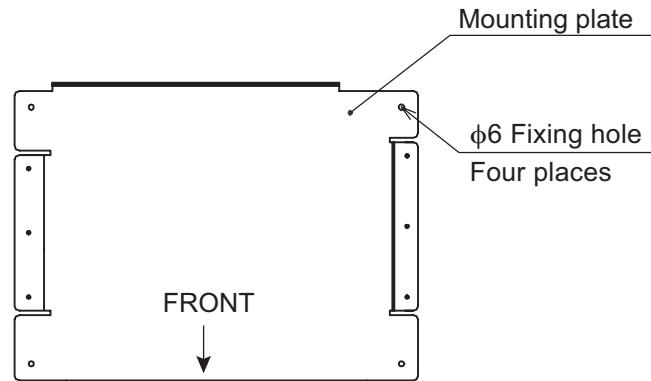
4. Fix the case with four M4x8 screws (supplied) to the flush mount plate.
5. Pass the cable from the CU through the bottom of the case.
6. Connect the cable to the port on the lid.
7. Attach the cable fixture (supplied) with two screws.
8. Fasten the cable to the cable fixture with the cable tie (supplied).
9. Reattach the lid to the case with four screws.



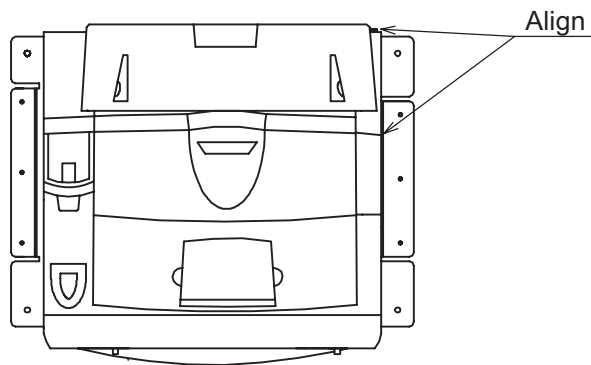
1. HOW TO INSTALL THE UNIT

## 1.5 Facsimile FAX-2820 (Option)

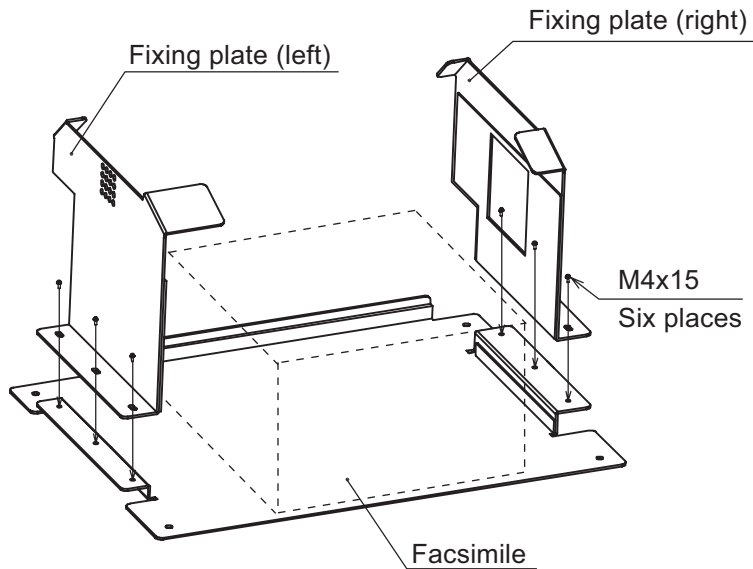
**Note:** The hooks supplied are not used in the installation.



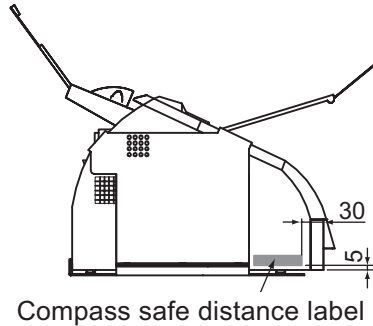
1. Lay the facsimile on the top of the mounting plate.
2. Align right side and rear with the projection on the mounting plate.



3. Fasten fixing plates (left, right) to the facsimile with six M4x15 pan head screws.



- Attach the compass safe distance label at the location shown below.



### **How to change modem settings**

- Press [Menu/set], [\*], [2], [8], [6] and [4] keys in this sequence to enter the maintenance mode. The fax machine beeps for approximately one second and displays "MAINTENANCE" on the LCD. This means the FAX is in the initial stage of the maintenance mode.
- Press [1] and [0] keys in this order. "WSW00" is displayed on the LCD.
- Press [1] and [3] keys in this order. "WSW13=X1X2X3X4X5X6X7X8" appears on the LCD. (default: WSW13=01011011)
- Press [0], [0], [0], [1], [1], [0], [1], [0] and [Menu/Set] keys in this order. (WSW13=00011010) "WSW00" appears after pressing [Menu/Set] key.
- Press [Stop/Exit] key to return the machine to the initial stage of the maintenance mode.
- Press [9] key twice to exit from the maintenance mode and return to standby.

## **1.6 Telephone FC755D1 (Option)**

### **General**

The telephone can be installed on a desktop or a bulkhead. Select a location where the telephone can easily be operated.

- For installation on a wooden table, use the mounting base and self-tapping screws (supplied).
- For installation on a steel table, fix the telephone with nuts and bolts.
- For bulkhead mounting, use the bulkhead mounting base (supplied with telephone accessories).

### **Mounting location**

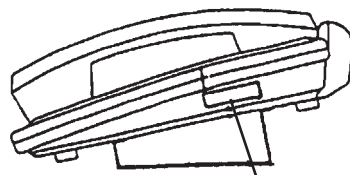
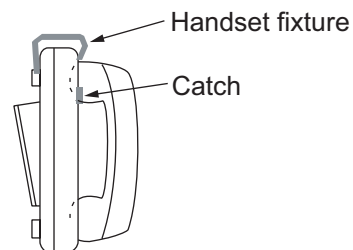
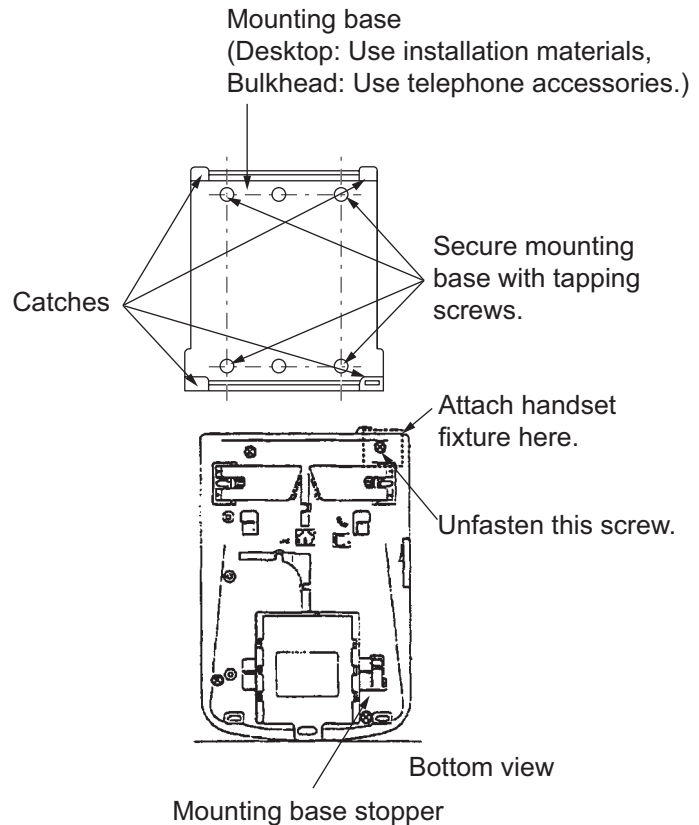
Select a location where temperature and humidity are moderate and stable. Secure sufficient space around the unit for ease of operation and maintenance.

## 1. HOW TO INSTALL THE UNIT

### **How to mount**

The mounting dimensions are shown in the outline drawing at the back of this manual. Determine the mounting location, leaving sufficient space around the unit, and then fix the mounting base to the mounting location. The mounting base is different for bulkhead and desktop mounts, however the mounting procedure is the same for all.

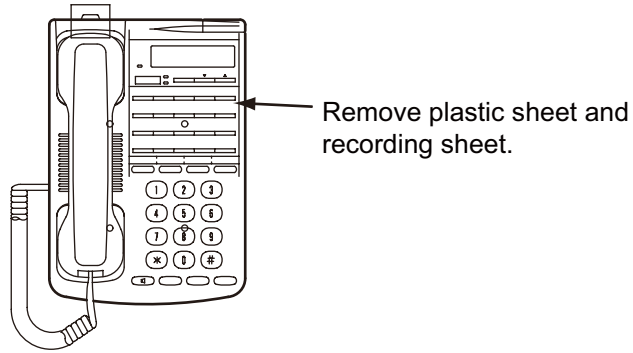
1. Set the mounting base to the mounting location with four self-tapping screws (4x16).
2. On the bottom of the telephone, release the screw shown in the figure. (The screw may be discarded.) Attach the vulcanizing tape (supplied) to the handset fixture. Fasten the handset fixture to the bottom of the telephone with a screw (3x14, supplied).
3. The catch in the receiver cradle functions to hang up the handset. Set the catch in the upward position. To detach the handset from the hanger, slide the handset upward.)
4. Set the telephone to the four catches in the mounting base, then slide it toward you until you hear a click.
5. Attach the "SLIDE" label (supplied) to the handset.
6. Attach the label (16-007-6927-0) for compass safe distance as shown below.



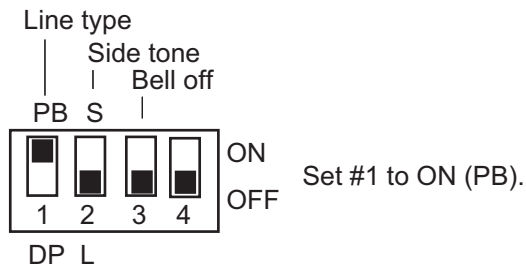
7. Set the line type of telephone to PB (Push Button) type from DP (Dial Pulse) type as follows.

# 1. HOW TO INSTALL THE UNIT

1) Remove the plastic sheet and recording sheet.



2) Set #1 DIP switch to ON (PB side).



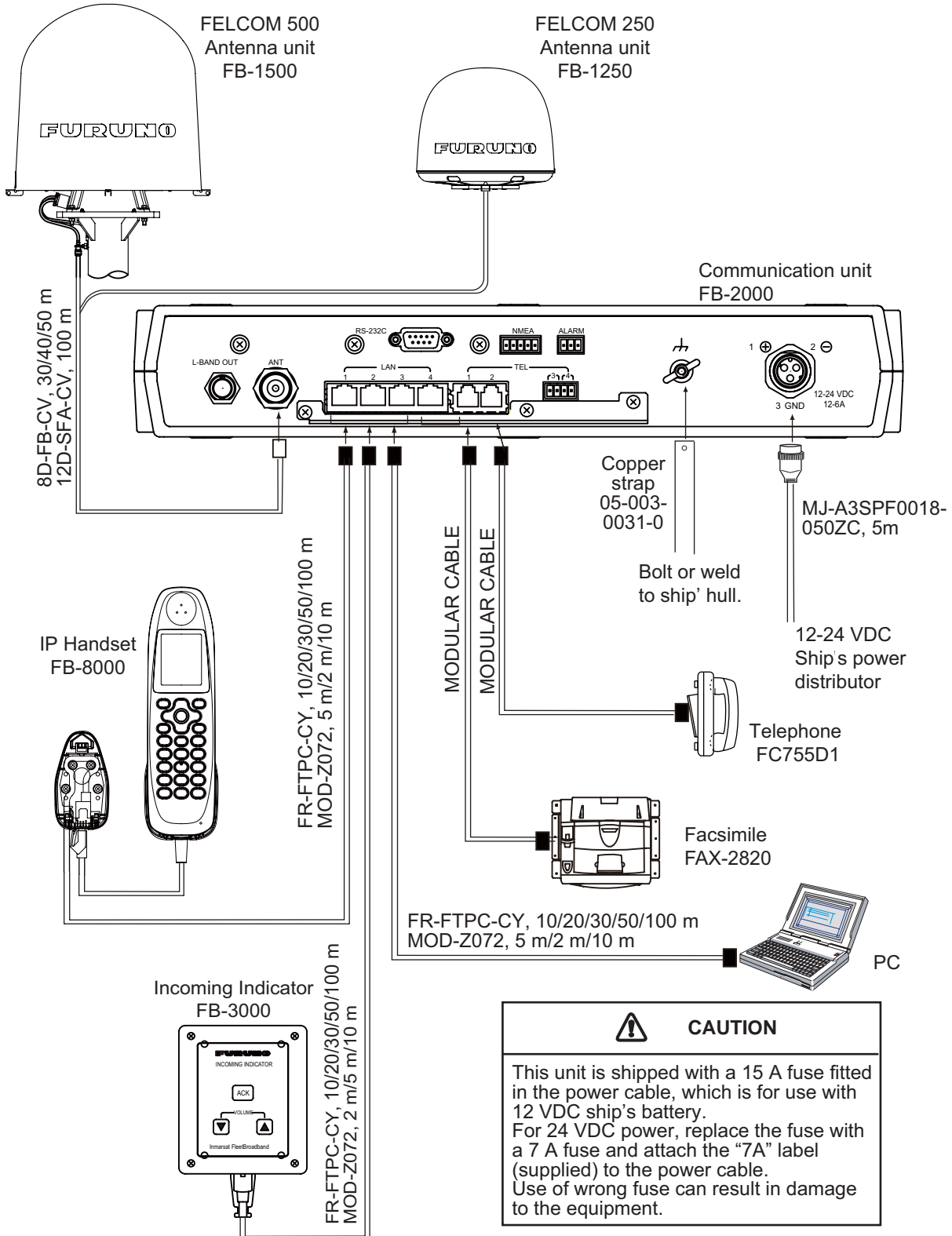
3) Reattach the plastic sheet and recording sheet.



# 2. CONNECTIONS

## 2.1 Standard Connection

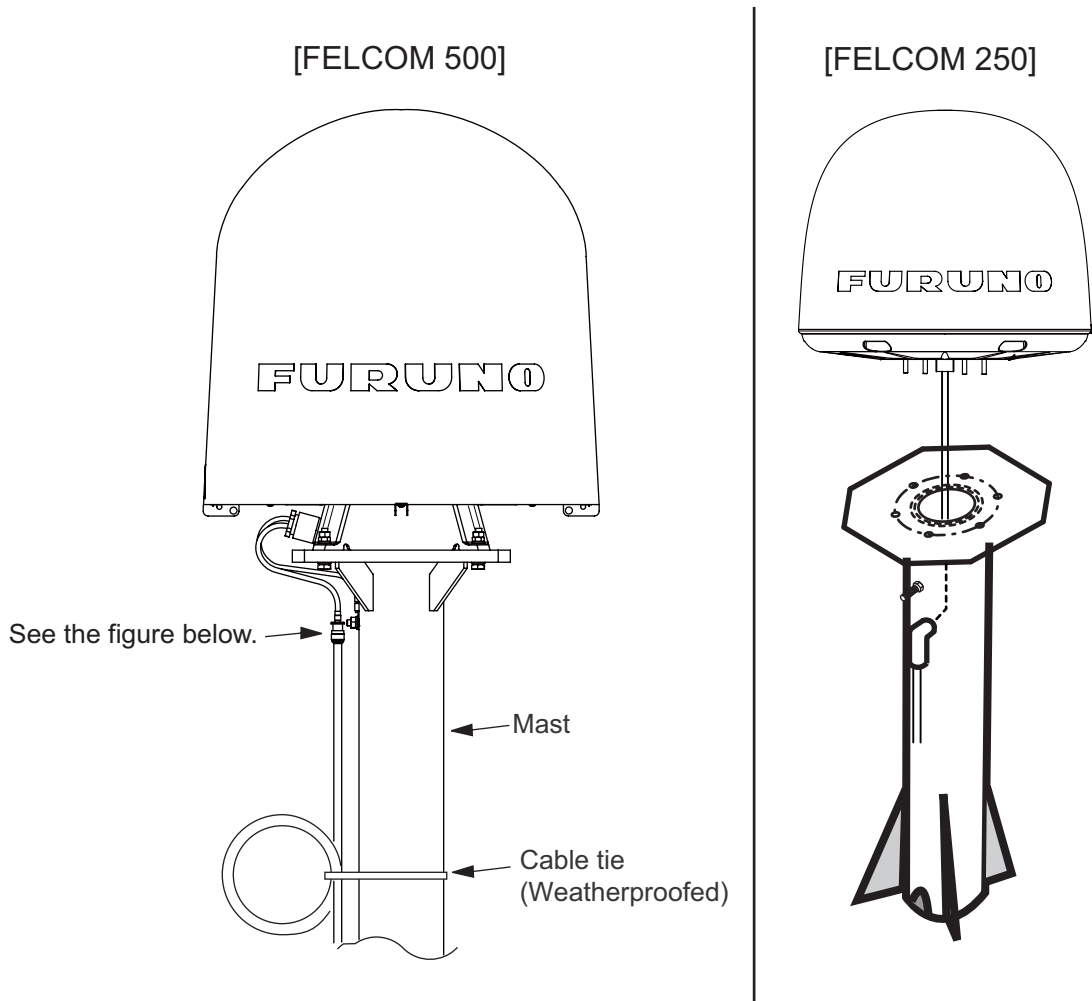
Run and connect cables, referring to the figure below and the interconnection diagram (page S-1).



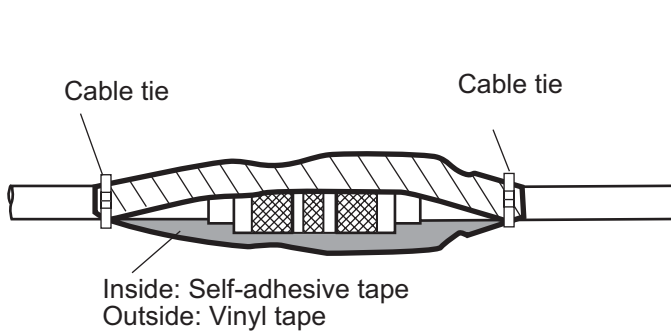
## 2.2 Antenna Cable

Run the antenna cable (coaxial cable 8D-FB-CV, 30 m, 40 m or 50 m supplied) between the antenna unit and communication unit. Attach the connector plug of the antenna cable to the antenna unit. Connect the coaxial connector (8D-FB-CV) to the other end of the antenna cable.

Wrap the junction point of connectors with the self-adhesive tape then vinyl tape. Bind the ends of tape with a cable tie (local supply). Fix the cable to the mast with a cable tie (local supply).



### Mouting



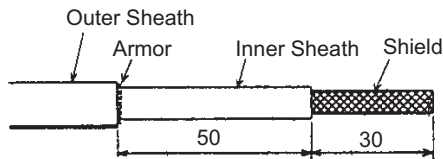
### Waterproofing the coaxial connector

## 2. CONNECTIONS

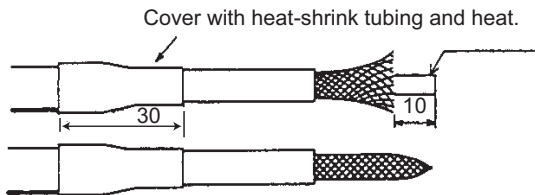
### How to attach the antenna cable connector N-P-8DFB-CF

Attach the coaxial plug (supplied) to the other end of the coaxial cable to connect to the CU as follows.

(Dimensions in millimeters.)

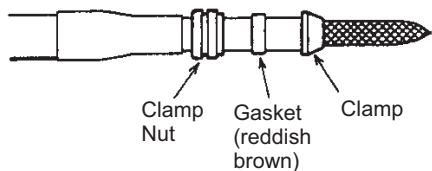


Remove outer sheath and armor by the dimensions shown left.  
Expose inner sheath and shield by the dimensions shown left.

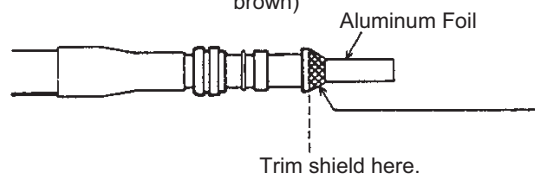


Remove insulator and core by 10 mm.

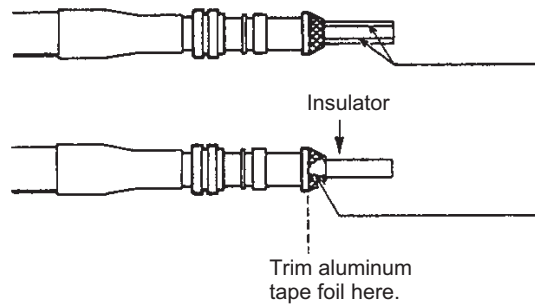
Twist shield end.



Slip on clamp nut, gasket and clamp as shown left.

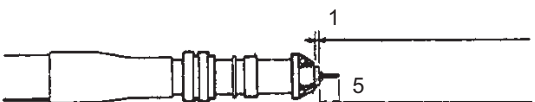


Fold back shield over clamp and trim.



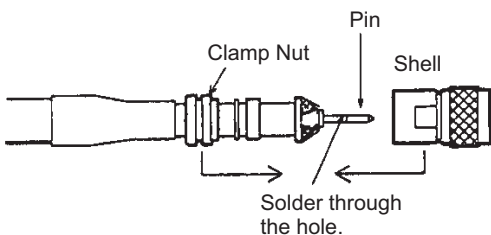
Cut aluminum foil at four places, 90° from one another.

Fold back aluminum tape foil onto shield and trim.



Expose the insulator by 1 mm.

Expose the conductor (core) by 5 mm.

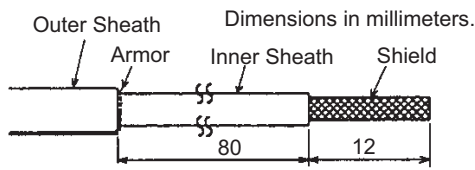


Slip the pin onto the conductor. Solder them together through the hole on the pin.

Insert the pin into the shell. Screw the clamp nut into the shell.  
(Tighten by turning the clamp nut. Do not tighten by turning the shell.)

**How to attach the antenna cable connector N-SP-12DSFA-CF**

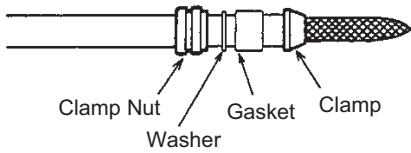
If the optional coaxial cable 12D-SFA-CV (100 m) is used, attach the optional coaxial plug N-SP-12DSFA-CF as follows.



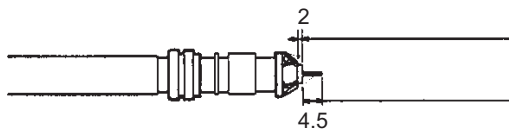
Remove outer sheath and armor by the dimensions shown left.  
Expose inner sheath and shield by the dimensions shown left.



Twist shield end.

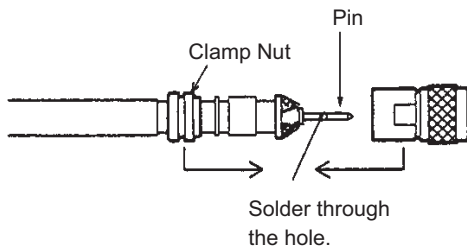


Slip on clamp nut, gasket and clamp as shown left.



Expose the insulator by 2 mm.

Expose the core by 4 to 5 mm.



Slip the pin onto the conductor. Solder them together through the hole on the pin.

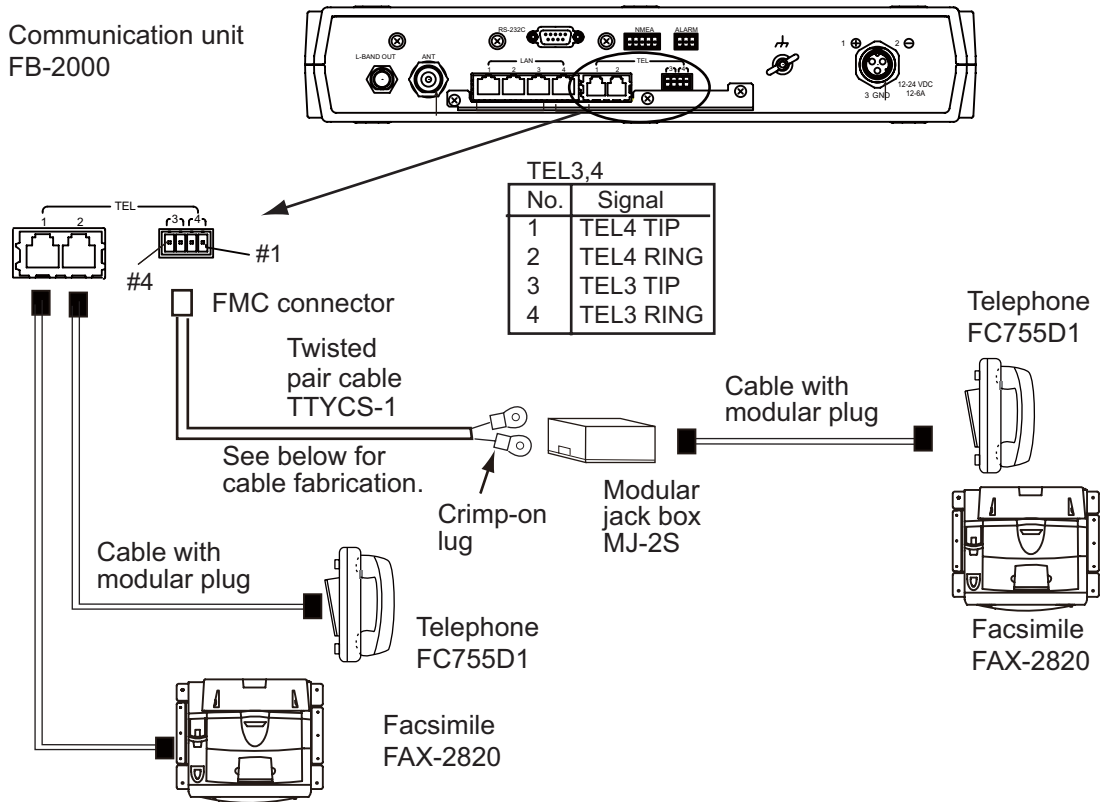
Insert the pin into the shell. Screw the clamp nut into the shell.  
(Tighten by turning the clamp nut. Do not tighten by turning the shell.)

## 2.3 Communication Unit

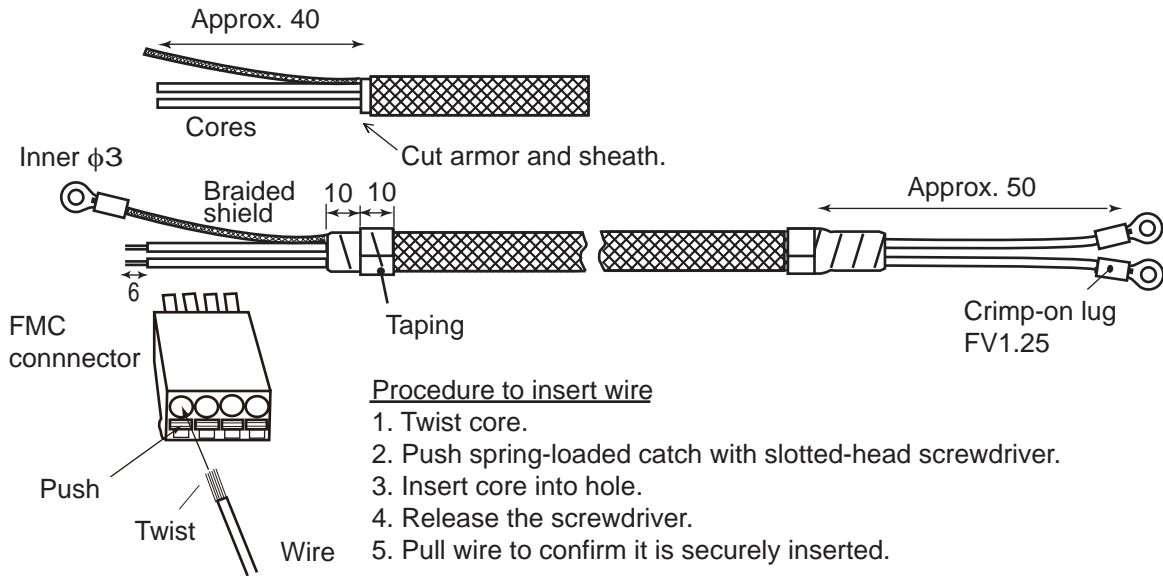
### Telephone FC755D1 and Facsimile FAX-2820

Connect the cable from the telephone or facsimile to TEL1, 2, 3 or 4 port of the communication unit. The modular connector can be connected directly to the TEL1 or TEL2 as shown in the figure below.

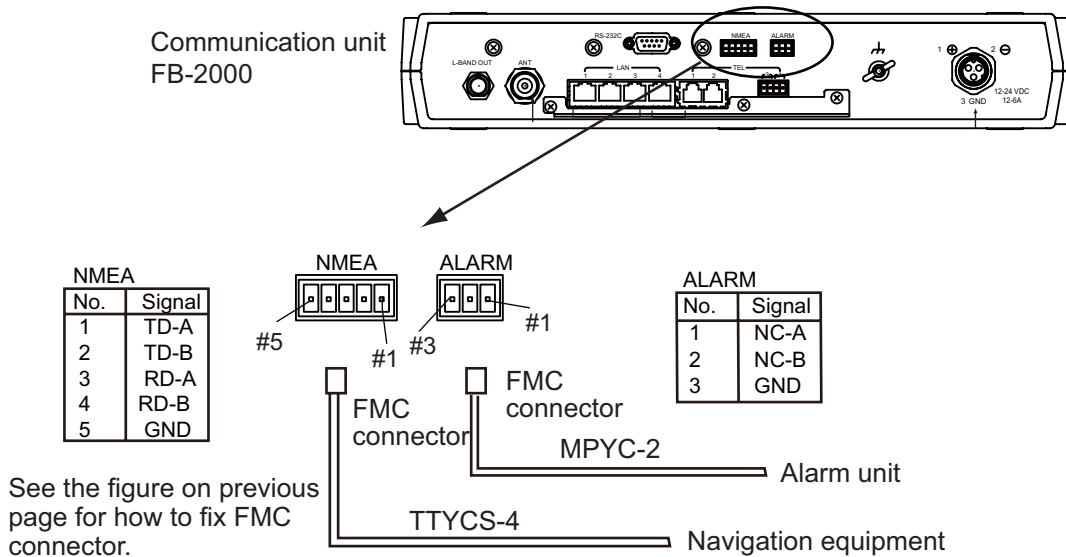
To connect to the TEL3 or TEL4, use the modular jack box (optional supply) or the modular jack set (optional supply). Connect TTYCS-1 (Japan Industry Standard cable, or equivalent, local supply) between the modular jack box and communication unit. Attach two crimp-on lugs (FV1.25-3 red, supplied with the modular jack box) to the modular jack box side of the above cable



**TTYCS-1 Cable fabrication**



**NMEA signal. External alarm**

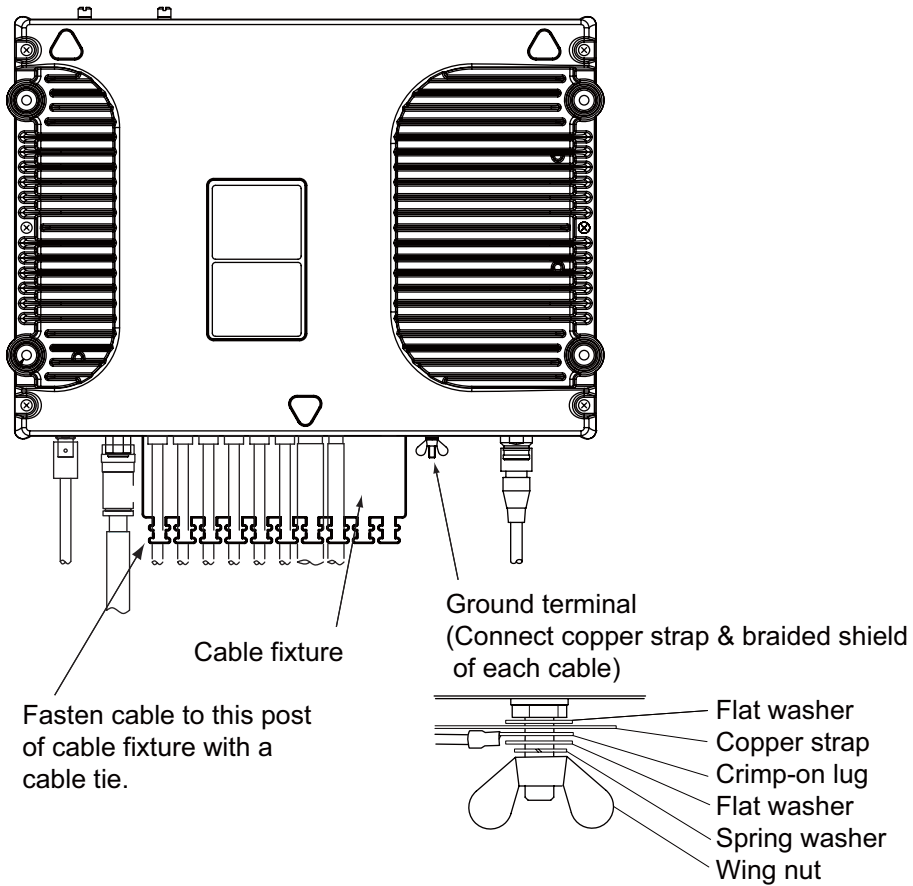


NMEA input sentence  
 GGA, GLL, GNS, RMA, RMC, VTG, ZDA  
 (Talkers for GNS are GN, GP and GL only.  
 For other sentences any talker will do.)

## 2. CONNECTIONS

### **Cable fixture**

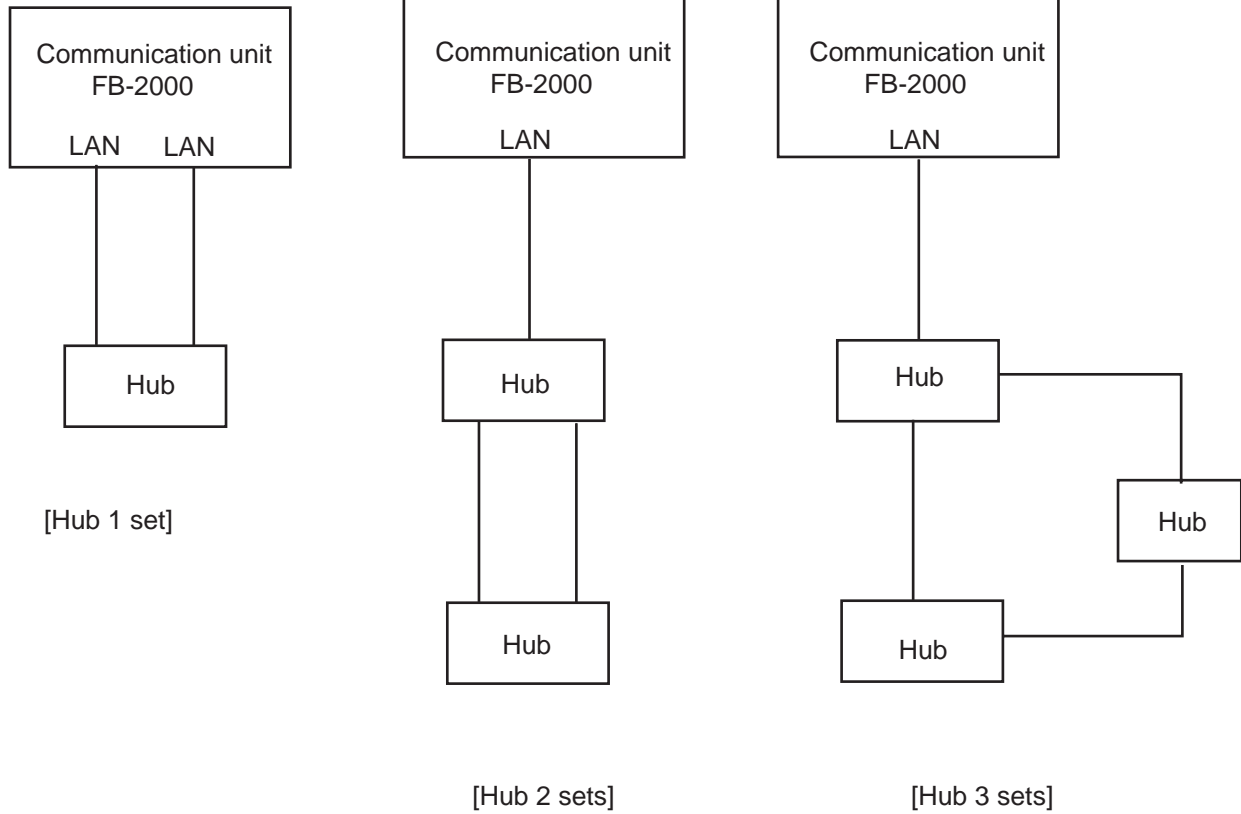
To connect the LAN and TEL lines, attach the cable fixture (supplied) to the rear panel of the communication unit. Then insert the connectors to each port. Fasten each cable with a cable tie (supplied) to the cable fixture. Connect the braided shield wire of each cable to the ground terminal.



## 2.4 Notice for network connection

With a hub(s), FELCOM500/FELCOM250 can establish a network configuration. If the hub(s) is connected in loop form, the FELCOM500/FELCOM250 may not function normally.

**Never connect as follows:**





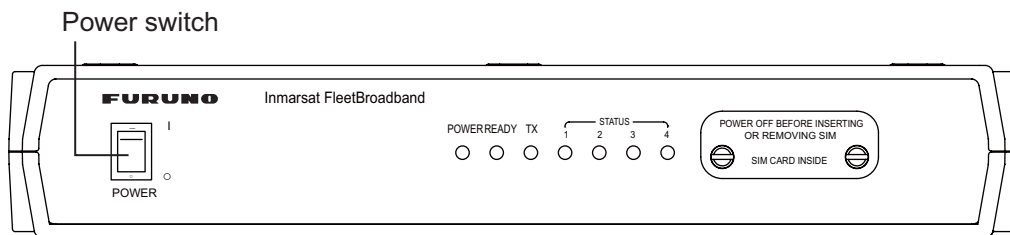
# 3. SETTING AFTER INSTALLATION

This chapter shows how to enter basic settings, done by the installation technician. For the network setting, request to an administrator of the ship network. (Refer to the Operator's Manual for details.)

The SIM card is required to communicate via a satellite, but not required for the following system settings. "(SIM): No SIM detected" appears in the Web software screen. Disregard the warning.

## 3.1 Preparation for Setting

1. Turn on the PC and insert the CD-ROM (supplied with accessories) in the PC.
2. Open the CD-ROM and copy "FELCOM\_FB" shortcut icon to the desktop of the PC. This shortcut icon accesses the FELCOM 500/FELCOM 250 (IP address 192.168.1.1) through the Internet Explorer.
3. Connect the PC to the Communication unit with a LAN cable.
4. Turn on the Communication unit. The initialization begins. Wait until all STATUS LEDs light. During this time, the PC cannot access the Communication unit. Wait for a while.



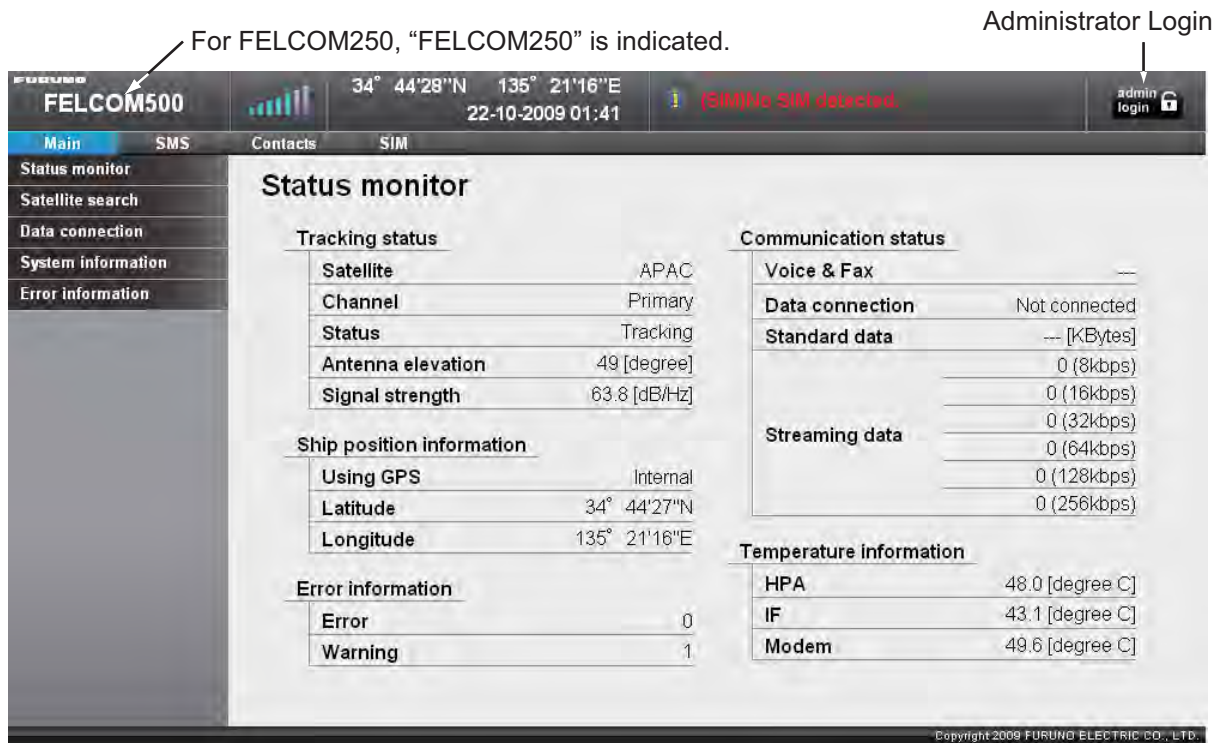
Communication unit

5. To set the IP address of the PC, select "Obtain an IP address automatically" in the Internet Protocol (TCP/IP) Properties. If you set manually, set IP address according to the IP address of the communication unit (default 192.168.1.1).
6. Double-click the "FELCOM\_FB" shortcut icon on the PC desktop.

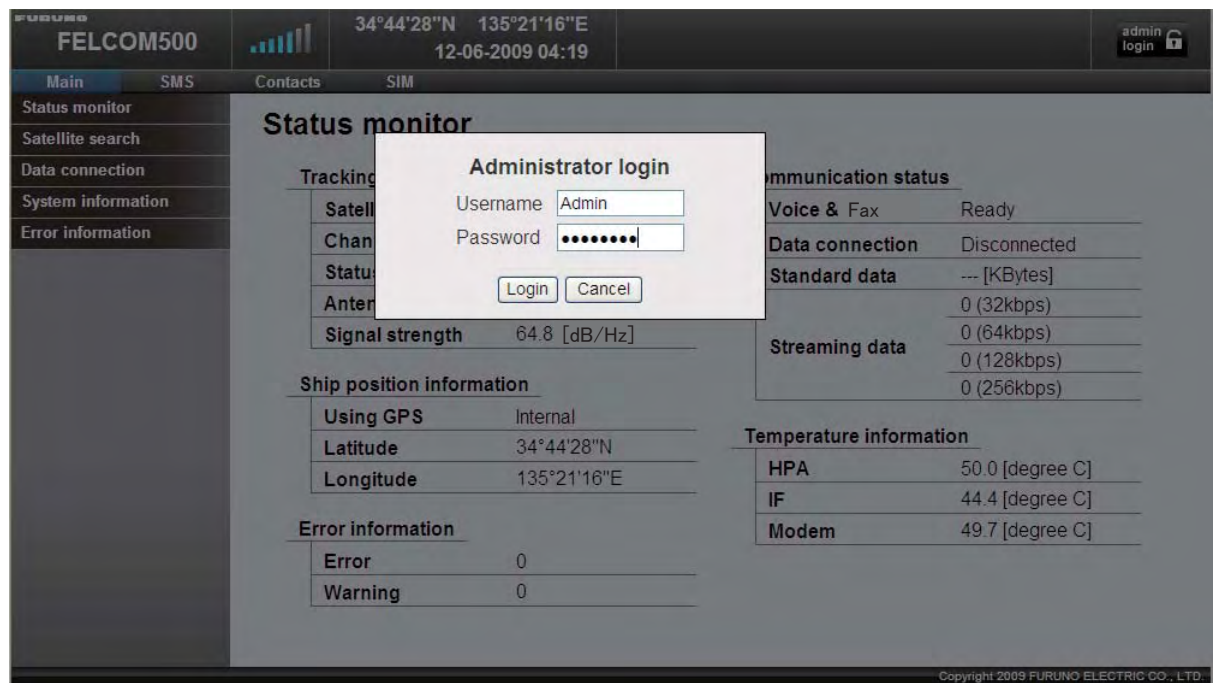


### 3. SETTING AFTER INSTALLATION

The browser starts and the main menu of the Web software in the FELCOM 250/500 opens.



- Click the **Administrator Login** button on upper right hand side on the screen.  
The Login window opens.
- Key in username "Admin" and password "01234567"(default value).  
The administrator can change the password in another menu.



- Click the **Login** button.  
New menu items appear on the menu bar; Settings, Device, Log, and Selftest.

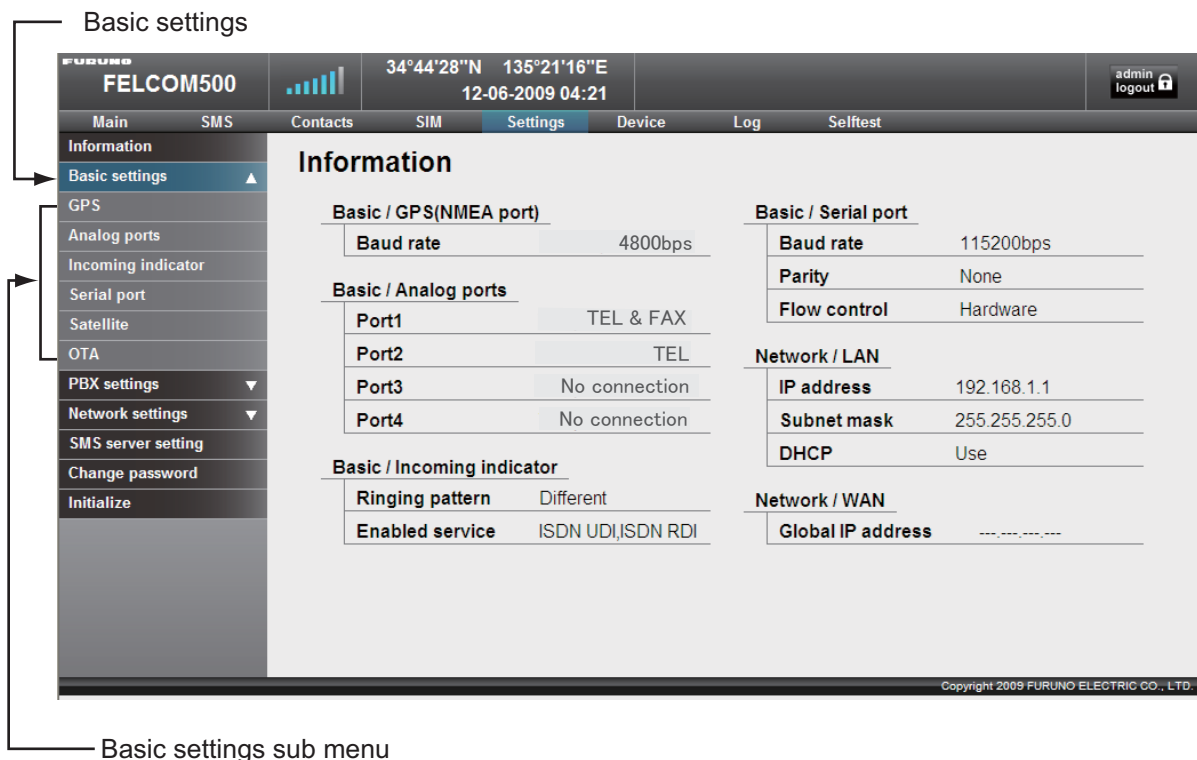
10. Click **Settings** on the menu bar.

The sub menu appears on left side and current setting appears in the Information window on right side.



11. Click **Basic settings** on the sub menu.

The sub menu of the Basic settings appears

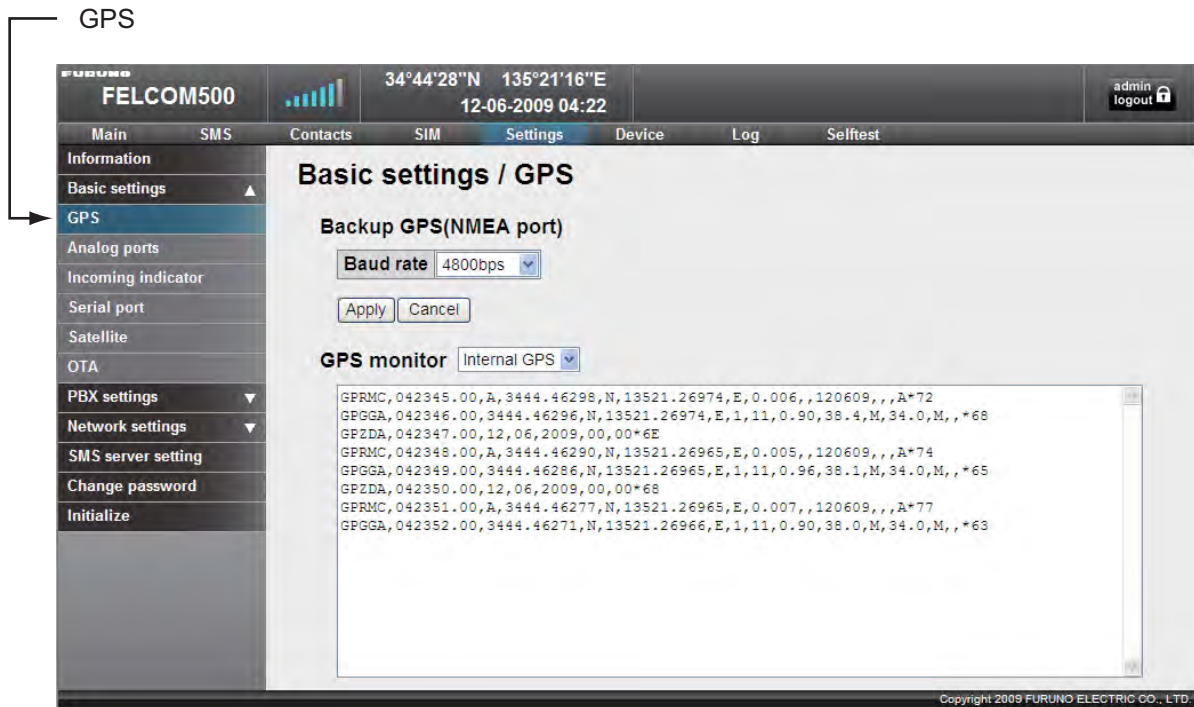


Use these sub menus to set the basic settings, following the procedures on the next several pages.

### 3. SETTING AFTER INSTALLATION

## 3.2 GPS Setting

1. Click **GPS** on the Basic settings sub menu.



2. If an external GPS is connected to the NMEA port on the communication unit, set the baud rate to 4800 bps or 38400 bps according to the GPS connected.
3. Click the **Apply** button.
4. To monitor output sentences from the GPS, select a GPS among Internal GPS, NMEA port, and None. "None" displays no sentences.

### 3.3 Analog Port Setting

Set for analog telephones/faxes that are connected to the TEL ports as follows.

1. Click **Analog ports** on the Basic settings sub menu.

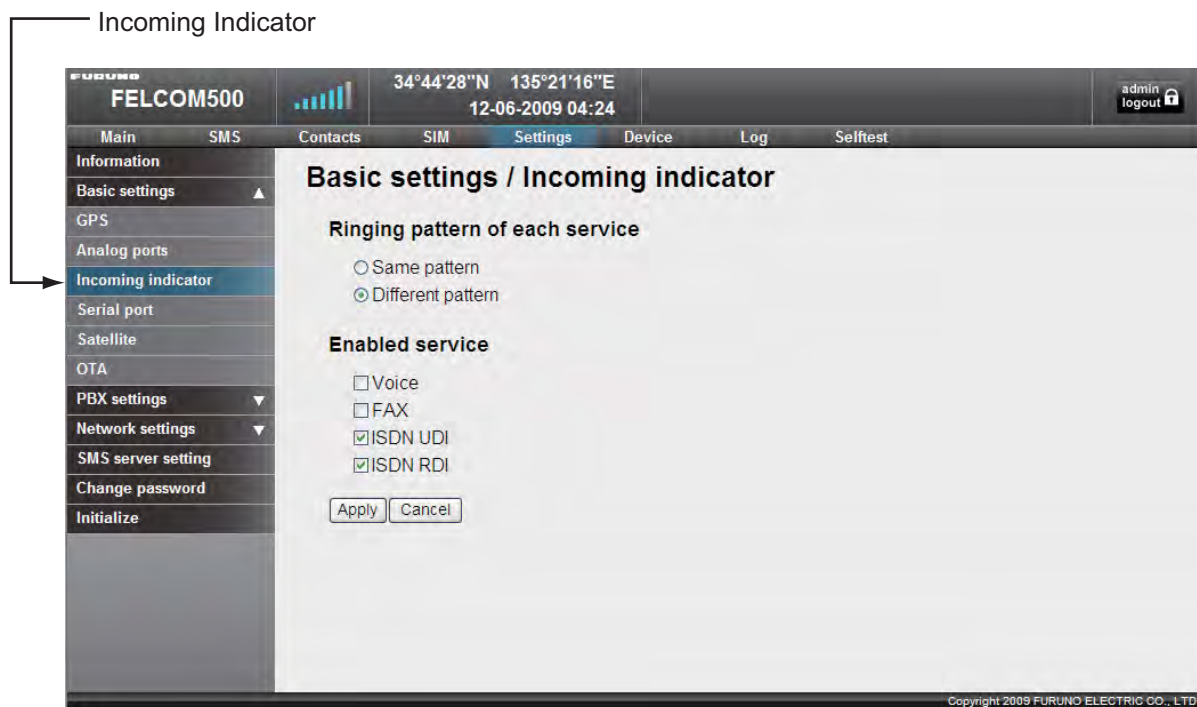


2. In the Type box, select the equipment that is connected to the TEL port. There are four TEL ports (TEL 1 to TEL 4), TEL 1 is analog port 1 in the table. The selections are as follows;
  - TEL: Analog telephone
  - FAX: Facsimile
  - TEL & FAX: Facsimile telephone
  - No Connection: Nothing connected
3. Key in extension telephone number in the Number box. The setting range is between 1000 and 9999.
4. In the Note box, key in a name; user name, setting location, etc.  
This is the name a called party sees. Up to 50 alphanumeric characters can be used. Do not use symbols, "?", "/", etc.
5. Click the **Apply** button to finish.  
Do this procedure for each analog port. A number can not be set more than once.

## 3.4 Incoming Indicator Setting

If the optional Incoming Indicator is connected, set it as follows.

1. Click **Incoming Indicator** in the Basic settings sub menu.

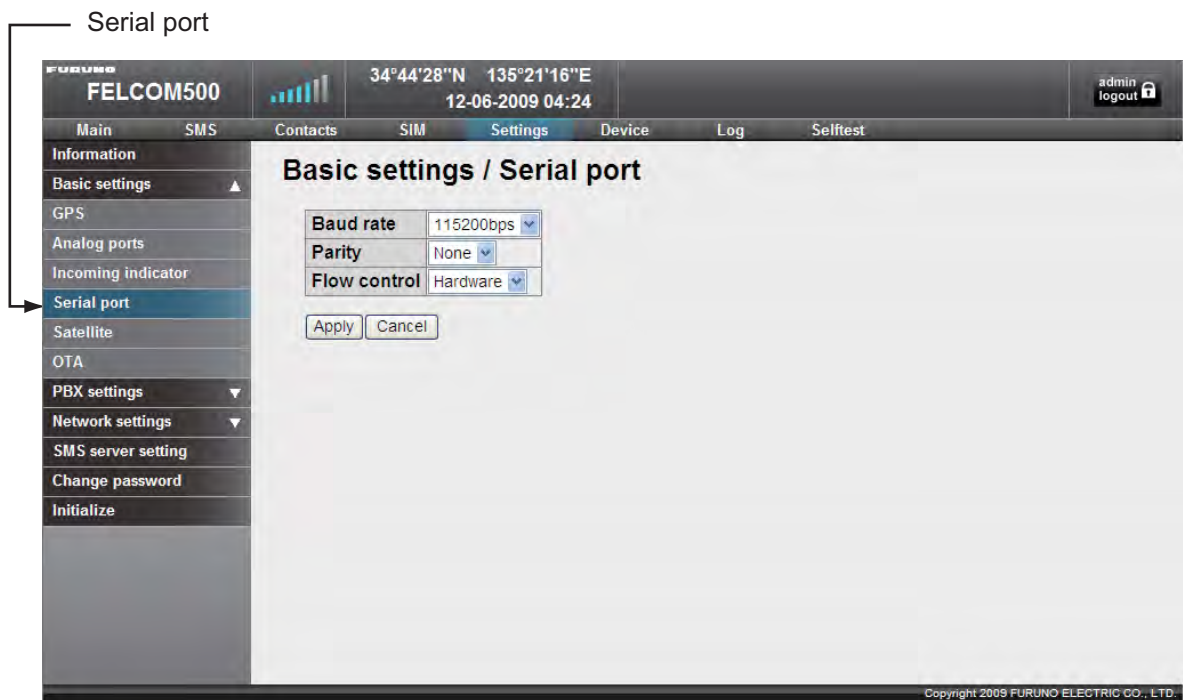


2. Select the ringing pattern of the incoming indicator in the "Ringing pattern of each service", between same pattern and Different pattern.  
Same pattern: Same ringing pattern for any communication service.  
Different pattern: Different ringing pattern for each communication service.
3. Check a communication services to ring the incoming indicator.
  - Voice: Ring for incoming telephone.
  - FAX: Ring for incoming facsimile.
  - ISDN UDI: Ring for incoming ISDN UDI data communication (FELCOM500 only) .
  - ISDN RDI: Ring for incoming ISDN UDI data communication (FELCOM500 only).
4. Click the **Apply** button to conclude the setting.

## 3.5 Serial Port Setting

Set for the equipment that is connected to the RS-232C port.

1. Click Serial port in the Basic settings sub menu.

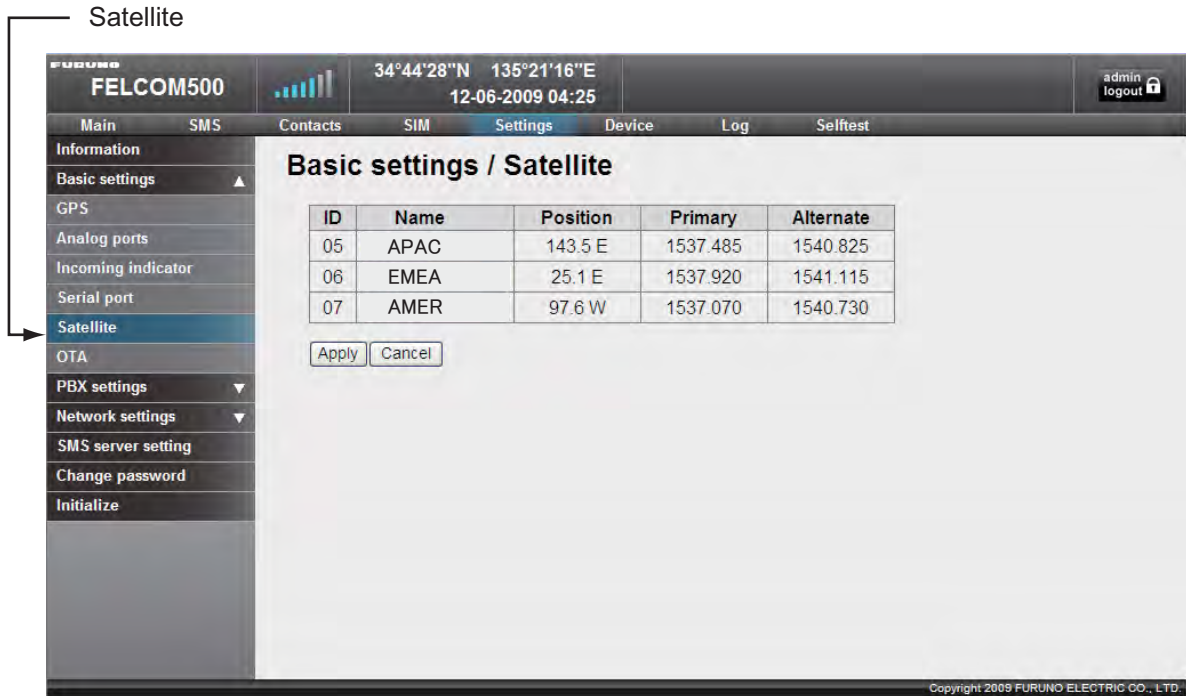


2. Select a baud rate from the Baud rate drop-down list. The selections are 9600, 19200, 38400, 57600 and 115200 bps.
3. Set a parity bit in the Parity box. The selections are None, Even and Odd.
4. Select the Flow control among Hardware, Software and None.
5. Click the **Apply** button to complete the setting.

## 3.6 Satellite Setting

The three satellites are named APAC (Asia-pacific), EMEA (Europe-Middle east-Africa) and AMER (America). To change satellite name, do as follows.

1. Click **Satellite** in the Basic settings sub menu.



2. Put the cursor in the Name box and enter the name of the satellite (max. 10 characters).
  3. Click the Apply button to complete the setting.
- The meaning of the table items is as follows.

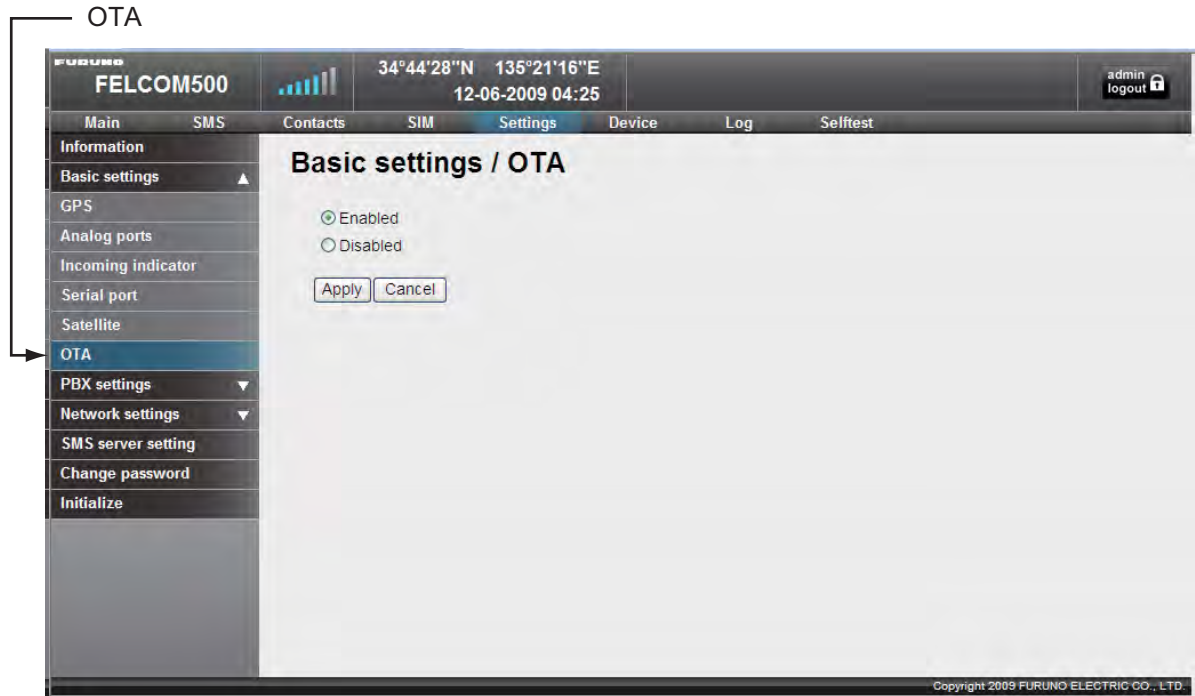
- ID: Identification of the satellite
- Position: Position of the geostationary satellite (longitude)
- Primary: Frequency of the first global channel of the satellite
- Alternate: Frequency of the second global channel of the satellite



## 3.7 OTA Setting

OTA stands for Over The Air. The OTA function permits remote management of files in the SIM card.

1. Click **OTA** in the Basic setting sub menu.



2. To enable the OTA, click the Enabled radio button. To disable the OTA, click the Disabled radio button.
3. Click the **Apply** button to complete the setting.  
With Enabled, OTA functions as follows.
  - a) User requests a change of contract contents to a SIM maker.
  - b) The SIM maker transmits an OTA message to the terminal.
  - c) The terminal receives the OTA message and modifies the internal parameters according to the contract contents.

## 3.8 Handset Setting

To use the IP handset, set the Web software and the IP handset as follows.

### Web software setting

1. Click **Settings** in the menu bar.
2. Click **PBX Settings** in the Settings sub menu at the left side of the screen.
3. Click **Extension** in the PBX Setting sub menu.



4. Click the Add extension button.  
The following window appears. The lowest unregistered number between 1000 and 9999 appears in the Number box. To use this number, go to step 6. To register a different number, go to step 5.

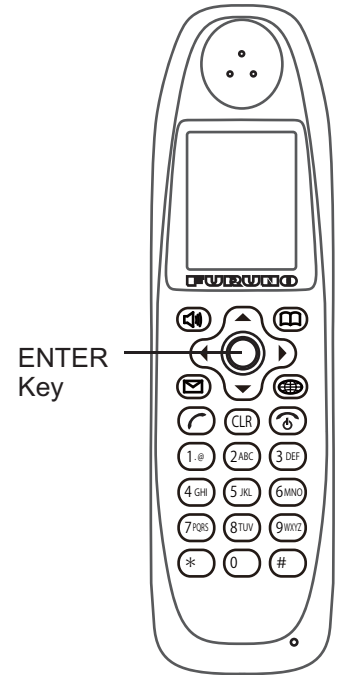
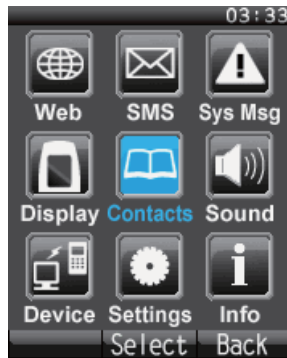
**PBX settings / Extension / Add extension**

Number	<input type="text" value="1001"/>	(1000 - 9999)
Password	<input type="text"/>	
Note	<input type="text"/>	

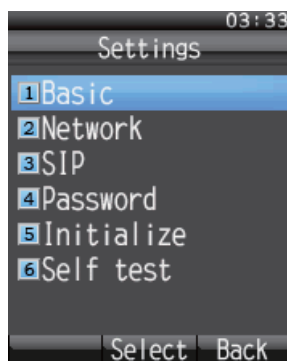
5. Key in a new extension number in the Number box (1000-9999).  
You cannot use a number that is already entered. If you enter the same number, an error message will appear at the registration.
6. Key in a password in the Password box (a maximum of eight alphanumeric characters).  
Upper case alphabet can be used.  
**Note:** Do not forget to write down the telephone number and password.
7. If necessary, enter a comment in the Note box (a maximum of 50 characters), for example, user name, setting location, etc.
8. Click the **Add** button.  
The message "Completed" appears.
9. Click the **OK** button.  
The registered number appears on the Extension screen.
10. To register multiple telephones, repeat steps 4 to 9.

**Setting in the IP handset**

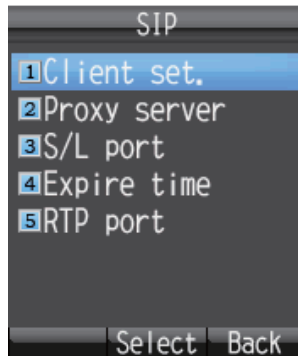
1. Push the **Enter** key at the idle screen to show the main menu.



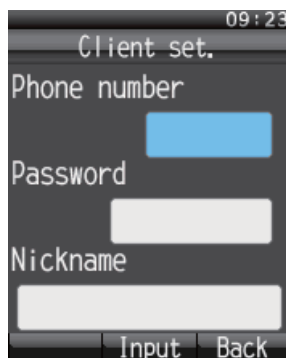
2. Push 6 to select the Settings icon and then push the **Enter** key to show the Settings menu.



3. Push 3 key to show the SIP menu.

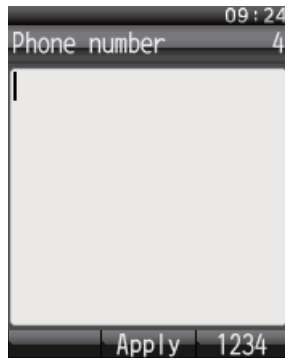


4. Push 1 key to show the Client setting screen.

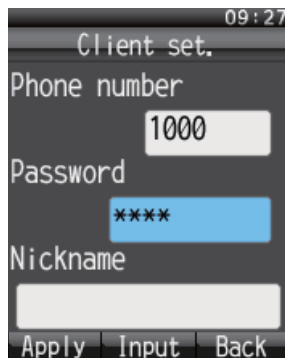



### 3. SETTING AFTER INSTALLATION

5. With the Phone number box highlighted in blue, push the **Enter** key to show the phone number input screen.



6. Enter the extension number that is registered in the Web software and push the **Enter** key. If something has been registered, push the **CLR** key to erase it.
7. Push ▼ to select Password and then push the **Enter** key.
8. Enter the password which was registered in the Web software and then push the Enter key. If the password contains both alphabet and numerals, switch input format with the soft key



9. Push the soft key  (Apply).  
The message "Set" appears and the setting for one IP handset is completed.
10. Push the **CLR** key three times to return to the idle screen.
11. If multiple handsets are connected, repeat the above step 1 to 10 for each handset.

### 3. SETTING AFTER INSTALLATION

When the Web software-set extension number matches handset-set extension number, the mark with a blue circle appears in the Settings/ PBX settings/ Extension window of the Web software. These handsets can be used for communication. However, the following screen does not update automatically. Press the Reload button of the browser to refresh the screen

The screenshot shows the FELCOM500 web interface. The top status bar displays the date and time as 15-06-2009 15:08 and includes a warning message: "Error: Connection failure between Comm. Unit and Ant. Unit". The navigation menu on the left lists various settings categories, with "PBX settings" currently selected. The main content area is titled "PBX settings / Extension" and features a table of extension numbers. The table has columns for "Number", "Reg.", and "Note". The "Reg." column shows blue circles next to the numbers 1000 and 1002, indicating they are registered. The "Note" column contains the text "Captain" for 1000 and "C-Officer" for 1002. There are "Delete" and "Add extension" buttons at the top of the table, and "Edit" buttons for each row. The status bar at the top right shows "Analog ports: 2/4 IP Phone: 2/26 Total: 4/30". The footer of the page reads "Copyright 2009 FURUND ELECTRIC CO., LTD.".

<input type="checkbox"/>	Number	Reg.	Note	
<input type="checkbox"/>	2001			Edit
<input type="checkbox"/>	2002			Edit
<input type="checkbox"/>	2003			Edit
<input type="checkbox"/>	2004			Edit
<input type="checkbox"/>	1000	●	Captain	Edit
<input type="checkbox"/>	1002	●	C-Officer	Edit

# APPENDIX 1 JIS CABLE GUIDE

Cables listed in the manual are usually shown as Japanese Industrial Standard (JIS). Use the following guide to locate an equivalent cable locally.

JIS cable names may have up to 6 alphabetical characters, followed by a dash and a numerical value (example: DPYC-2.5). For core types D and T, the numerical designation indicates the *cross-sectional Area (mm<sup>2</sup>)* of the core wire(s) in the cable. For core types M and TT, the numerical designation indicates the *number of core wires* in the cable.

## 1. Core Type

D Double core power line

T Triple core power line

M 1mm Multi core

TT 0.75mm twisted pair communications (1Q = quad cable)

## 2. Insulation Type

P Ethylene Propylene

## 3. Sheath Type

Y Vinyl

## 4. Armor Type

C Steel

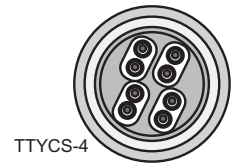
## 5. Shielding Type

Y Corrosive resistant

## 6. Core Sheath

S All cores in one sheath

-S Individually sheathed cores



EX: <sup>1 2 3 4 5 6</sup> DPYCS - 1.5      <sup>1 2 3 4</sup> MPYC - 5  
 Designation type      Core Area (mm<sup>2</sup>)      Designation type      # of cores

The following reference table lists gives the measurements of JIS cables commonly used with Furuno products:

Type	Core		Cable Diameter	Type	Core		Cable Diameter
	Area	Diameter			Area	Diameter	
DPYC-1.5	1.5mm <sup>2</sup>	1.56mm	11.7mm	TPYCY-1.5	1.5mm <sup>2</sup>	1.56mm	14.5mm
DPYC-2.5	2.5mm <sup>2</sup>	2.01mm	12.8mm	TPYCY-2.5	2.5mm <sup>2</sup>	2.01mm	15.5mm
DPYCY-2.5	2.5mm <sup>2</sup>	2.01mm	14.8mm	TPYCY-4	4mm <sup>2</sup>	2.55mm	16.9mm
DPYCYS-1.5	1.5mm <sup>2</sup>	1.56mm	14.6mm	TPYCYS-1.5	1.5mm <sup>2</sup>	1.56mm	15.2mm
DPYCYS-2.5	2.5mm <sup>2</sup>	2.01mm	15.5mm				
MPYC-2	1mm <sup>2</sup>	1.29mm	10.0mm				
MPYC-4	1mm <sup>2</sup>	1.29mm	11.2mm				
MPYC-7	1mm <sup>2</sup>	1.29mm	13.2mm				
MPYCY-12	1mm <sup>2</sup>	1.29mm	19.0mm				
MPYCY-19	1mm <sup>2</sup>	1.29mm	22.0mm				
TTYCS-1	0.75mm <sup>2</sup>	1.11mm	10.1mm				
TTYCS-1Q	0.75mm <sup>2</sup>	1.11mm	11.3mm				
TTYCS-4	0.75mm <sup>2</sup>	1.11mm	16.3mm				
TTYCYS-1	0.75mm <sup>2</sup>	1.11mm	21.1mm				

PACKING LIST FB-2000/8000-A-J/E, -B-J/E

NAME	OUTLINE	DESCRIPTION/CODE No.	Q'TY
------	---------	----------------------	------

ユニット UNIT

ハンドセット IP HANDSET		FB-8000 000-015-761-00	1
通信制御ユニット COMMUNICATION UNIT		FB-2000-A-J-E 000-015-758-00**	1

通信制御用予備品 COMMUNICATION UNIT SPARE PARTS

予備品 SPARE PARTS		SP16-01901 001-067-320-00	1
--------------------	--	------------------------------	---

通信制御用工材 COMMUNICATION UNIT INSTALLATION MATERIALS CP16-03810

ケーブル(組品)LAN LAN CABLE ASSEMBLY		MDL-Z072-050 000-167-176-10	1
ケーブル組品MJ CABLE ASSY.		MJ-A3SPF0018-050ZC 000-154-025-10	1
工事材料 INSTALLATION MATERIALS		CP16-03811 001-067-790-00	1

通信制御用付属品 COMMUNICATION UNIT ACCESSORIES FP16-02200

CD-ROM組品 CD-ROM		1650221 001-067-330-00	1
--------------------	--	---------------------------	---

ハンドセット工材 HANDSET INSTALLATION MATERIALS

工事材料 INSTALLATION MATERIALS		CP16-03901 001-067-350-00	1
--------------------------------	--	------------------------------	---

コード番号末尾の[\*\*]は、選択品の代表コードを表します。  
CODE NUMBER ENDING WITH "\*\*" INDICATES THE CODE NUMBER OF REPRESENTATIVE MATERIALS

(略図の寸法は、参考値です。 DIMENSIONS IN DRAWING FOR REFERENCE ONLY.)

NAME	OUTLINE	DESCRIPTION/CODE No.	Q'TY
------	---------	----------------------	------

ハンドセット付属品 HANDSET ACCESSORIES

付属品 ACCESSORIES		FP16-02301 001-067-340-00	1
--------------------	--	------------------------------	---

図書 DOCUMENT

取扱説明書 OPERATOR'S MANUAL		OM#-56660-* 000-170-976-1**	1
装備要領書 INSTALLATION MANUAL		IM#-56660-* 000-170-978-1**	1
操作要領書(タケ)		MLG-56660-* 000-170-980-1**	1
ヒューズ変更のお願い NOTICE FOR FUSE REPLACEMENT		CS2-00206-* 000-147-054-1**	1
緊急呼出シート EMERGENCY CALL SHEET		E52-00905-* 000-172-872-1**	1
型紙 PLATE		CS2-00901-* 000-171-039-1**	1

型式/コード番号が2段の場合、下段より上段に代わる適量期品であり、どちらが入っています。なお、品質は変わりません。  
TWO TYPES AND CODES MAY BE LISTED FOR AN ITEM. THE LOWER PRODUCT MAY BE SHIPPED IN PLACE OF THE UPPER PRODUCT. QUALITY IS THE SAME.  
16AQ-X-9852

FURUNO

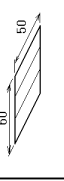

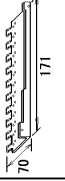
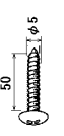
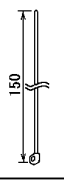
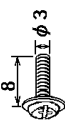

工事材料表

番号 NO.	名称 NAME	略図 OUTLINE	型名/規格 DESCRIPTIONS	数量 Q'TY	用途/備考 REMARKS
1	アンテナケーブル組品 ANTENNA CABLE ASSY.		8D-FB-CV *30M* 000-167-889-11	1	選択 *TO BE SELECTED
2	アンテナケーブル組品 ANTENNA CABLE ASSY.		8D-FB-CV *40M* 000-167-890-11	1	選択 *TO BE SELECTED
3	アンテナケーブル組品 ANTENNA CABLE ASSY.		8D-FB-CV *50M* 000-168-241-11	1	選択 *TO BE SELECTED

型式/コード番号が2段の場合、下段より上段に代わる適量期品であり、どちらが入っています。なお、品質は変わりません。  
TWO TYPES AND CODES MAY BE LISTED FOR AN ITEM. THE LOWER PRODUCT MAY BE SHIPPED IN PLACE OF THE UPPER PRODUCT. QUALITY IS THE SAME.  
(略図の寸法は、参考値です。 DIMENSIONS IN DRAWING FOR REFERENCE ONLY.)

# FURUNO

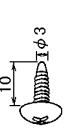
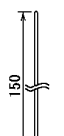
CODE NO.	001-067-790-00	16AG-X-9404-1	1/1
TYPE	CP16-03811		

COMMUNICATION UNIT FB-2000-A			
工事材料表 INSTALLATION MATERIALS			
番号 NO.	名称 NAME	略図 OUTLINE	数量 Q'TY
1	ヒューズラベル FUSE LABEL		1
2	7-3板 COPPER STRAP		1
3	ケーブル金具 CABLE FIXTURE		1
4	+selfタッピングネジ SELF TAPPING SCREW		4
5	ケーブルタイ CABLE TIE		10
6	+バインダヘッド BINDER HEAD SCREW-F		3
7	コネクタ CONNECTOR		1

型式/コード番号が2段の場合、下段より上段に代わる標準部品であり、どちらかが入っています。なお、品質は変わりません。  
TWO TYPES AND CODES MAY BE LISTED FOR AN ITEM. THE LOWER PRODUCT MAY BE SHIPPED IN PLACE OF THE UPPER PRODUCT.  
QUALITY IS THE SAME.  
(略図の寸法は、参考値です。 DIMENSIONS IN DRAWING FOR REFERENCE ONLY.)

# FURUNO

CODE NO.	001-067-350-00	16AG-X-9405-0	1/1
TYPE	CP16-03901		

IP HANDSET FB-8000			
工事材料表 INSTALLATION MATERIALS			
番号 NO.	名称 NAME	略図 OUTLINE	数量 Q'TY
1	+selfタッピングネジ SELF-TAPPING SCREW		4
2	ケーブルタイ CABLE TIE		2

型式/コード番号が2段の場合、下段より上段に代わる標準部品であり、どちらかが入っています。なお、品質は変わりません。  
TWO TYPES AND CODES MAY BE LISTED FOR AN ITEM. THE LOWER PRODUCT MAY BE SHIPPED IN PLACE OF THE UPPER PRODUCT.  
QUALITY IS THE SAME.  
(略図の寸法は、参考値です。 DIMENSIONS IN DRAWING FOR REFERENCE ONLY.)



# PACKING LIST

16AQ-X-9855 -4 1/1

FB-1500-A

A-5

N A M E	O U T L I N E	DESCRIPTION/CODE No.	Q'TY
<b>ユニット</b>			
アンテナユニット ANTENNA UNIT		FB-1500-A 000-015-744-00	1
<b>工事材料</b>			
<b>INSTALLATION MATERIALS</b>			
シリコン SILICON RUBBER		S-8400W シリコン 50G 000-158-483-10	1
ゴム板 RUBBER MAT		M02219* 999-999-146-00	1 (*)
放射警告ステッカー RADIATION WARNING STICKER		L 05-10040 999-999-144-00	1 (*)
六角ボルト HEX BOLT		M10X60 SUS M90-10242 999-999-148-00	4 (*)
六角ナット HEX NUT		M10 SUS M90-10082 999-999-151-00	8 (*)
平座金 PLAIN WASHER		M10 SUS M90-10083 999-999-149-00	8 (*)
ハネ座金 SPRING WASHER		M10 SUS M90-10217 999-999-150-00	8 (*)
シールワッシャー SEAL WASHER		M90-10244 999-999-147-00	4 (*)

(\*)は、ダミーコードに付き、注文できません。  
(\*) THIS CODE CANNOT BE ORDERED.

型式コード番号が2段の場合、下段より上段に代わる過渡期品であり、どちらが入っています。なお、品質は変わりません。  
TWO TYPES AND CODES MAY BE LISTED FOR AN ITEM. THE LOWER PRODUCT MAY BE SHIPPED IN PLACE OF THE UPPER PRODUCT. QUALITY IS THE SAME.  
(略図の寸法は、参考値です。 DIMENSIONS IN DRAWING FOR REFERENCE ONLY.)

16AQ-X-9855

# PACKING LIST

16AR-X-9851 -0 1/1

FB-1250

A-6

N A M E	O U T L I N E	DESCRIPTION/CODE No.	Q'TY
<b>ユニット</b>			
アンテナユニット ANTENNA UNIT		FB-1250 000-016-487-00	1
<b>工事材料</b>			
<b>INSTALLATION MATERIALS</b>			
アース線 GROUND CABLE		999-999-152-00	1 (*)
ゴム板 RUBBER MAT		999-999-158-00	1 (*)
ハネ座金 SPRING WASHER		M6 SUS304 999-999-154-00	6 (*)
平座金 PLAIN WASHER		M6 SUS304 999-999-153-00	6 (*)
放射警告ステッカー(小) RADIATION WARNING STICKER		999-999-156-00	2 (*)
放射警告ステッカー(大) RADIATION WARNING STICKER		999-999-157-00	1 (*)
六角ナット HEX NUT		M6 SUS304 999-999-155-00	12 (*)
シリコン SILICON RUBBER		S-8400W シリコン 50G 000-158-483-10	1

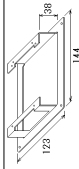
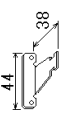
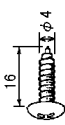
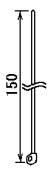
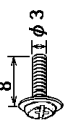

(\*)は、ダミーコードに付き、注文できません。  
(\*) THIS CODE CANNOT BE ORDERED.

型式コード番号が2段の場合、下段より上段に代わる過渡期品であり、どちらが入っています。なお、品質は変わりません。  
TWO TYPES AND CODES MAY BE LISTED FOR AN ITEM. THE LOWER PRODUCT MAY BE SHIPPED IN PLACE OF THE UPPER PRODUCT. QUALITY IS THE SAME.  
(略図の寸法は、参考値です。 DIMENSIONS IN DRAWING FOR REFERENCE ONLY.)

16AR-X-9851

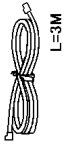
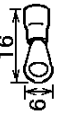

# FURUNO

## 工事材料表

INSTALLATION MATERIALS		INMARSAT FLEETBROADBAND		FELCOM500	
番号 NO.	名称 NAME	略図 OUTLINE	型名/規格 DESCRIPTIONS	数量 Q'TY	用途/備考 REMARKS
1	フラッシュマウント器具 FLASH MOUNT PLATE		16-021-4521-1 CODE NO. 100-350-471-10	1	
2	ケーブル固定器具 CABLE FIXTURE		16-021-4522-0 CODE NO. 100-350-480-10	1	
3	セルフタッピングネジ SELF-TAPPING SCREW		4X16 SUS304 CODE NO. 100-162-605-10	4	
4	ケーブルタイ CABLE TIE		CV-150N CODE NO. 100-162-186-10	1	
5	バインダヘッドネジ BINDER HEAD SCREW-F		M3X8 C2700W M8CR2 CODE NO. 100-163-538-10	2	
6	ワッシャーヘッドネジ WASHER HEAD SCREW *B*		M4X8 SUS304 CODE NO. 100-163-563-10	4	

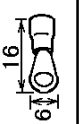
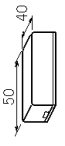
型式/コード番号が2段の場合、下段より上段に代わる標準部品であり、どちらかが入っています。なお、品質は変わりません。  
TWO TYPES AND CODES MAY BE LISTED FOR AN ITEM. THE LOWER PRODUCT MAY BE SHIPPED IN PLACE OF THE UPPER PRODUCT. QUALITY IS THE SAME.  
(略図の寸法は、参考値です。 DIMENSIONS IN DRAWING FOR REFERENCE ONLY.)

# FURUNO

明細書 DESCRIPTION		FELCOM30/50/70/500		型式/コード番号	
番号 NO.	名称 NAME	略図 OUTLINE	型名/規格 DESCRIPTIONS	数量 Q'TY	用途/備考 REMARKS
1	モジュラーケーブル MODULER CORD		BCM23 IV CODE NO. 000-170-701-10 000-138-773-00	1	
2	圧着端子 CRIMP-ON LUG		FV1.25-3 (LF) CODE NO. 000-166-756-10	2	
3	モジュラージャックボックス MODULAR JACK BOX		MJ-2S *GR* CODE NO. 000-165-995-10	1	

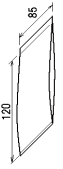
型式/コード番号が2段の場合、下段より上段に代わる標準部品であり、どちらかが入っています。なお、品質は変わりません。  
TWO TYPES AND CODES MAY BE LISTED FOR AN ITEM. THE LOWER PRODUCT MAY BE SHIPPED IN PLACE OF THE UPPER PRODUCT. QUALITY IS THE SAME.  
(略図の寸法は、参考値です。 DIMENSIONS IN DRAWING FOR REFERENCE ONLY.)

# FURUNO

CODE NO.		000-043-272-00	16AG-X-9407-0	1/1
TYPE		OPT6-8		
INMARSAT FLEETBOARD FELCOM500 Modular jack box				
明細書 DESCRIPTION	略図 OUTLINE	型名/規格 DESCRIPTIONS	数量 Q'TY	用途/備考 REMARKS
番号 NO.	名称 NAME			
1	圧着端子 CRIMP-ON LUG	 FV1-25-3(LF) CODE NO. 000-166-756-10	2	
2	母-子 MODULAR JACK BOX	 MJ-2S *GR* CODE NO. 000-165-995-10	1	

型式/コード番号が2段の場合、下段より上段に代わる通線部品であり、どちらかが入っています。なお、品質は変わりません。  
TWO TYPES AND CODES MAY BE LISTED FOR AN ITEM. THE LOWER PRODUCT MAY BE SHIPPED IN PLACE OF THE UPPER PRODUCT. QUALITY IS THE SAME.  
(略図の寸法は、参考値です。 DIMENSIONS IN DRAWING FOR REFERENCE ONLY.)

# FURUNO

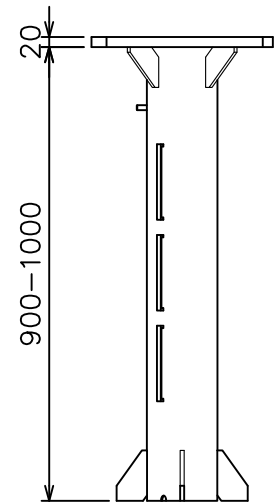
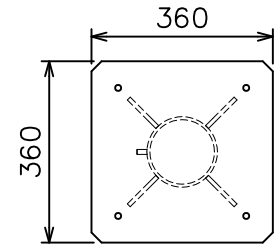
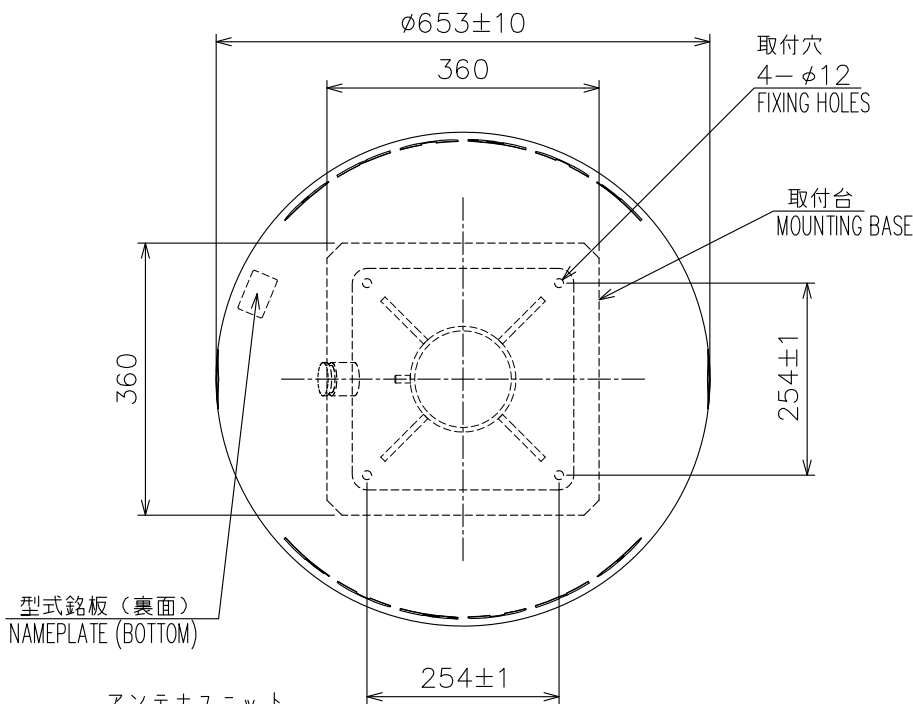
CODE NO.		001-067-340-00	16AG-X-9501-0	1/1
TYPE		FPI6-02301		
IP HANDSET FB-8000				
付属品表 ACCESSORIES	略図 OUTLINE	型名/規格 DESCRIPTIONS	数量 Q'TY	用途/備考 REMARKS
番号 NO.	名称 NAME			
1	液晶クリーニング LCD CLEANING CLOTH	 02-155-1082-1 CODE NO. 100-332-651-10	1	

型式/コード番号が2段の場合、下段より上段に代わる通線部品であり、どちらかが入っています。なお、品質は変わりません。  
TWO TYPES AND CODES MAY BE LISTED FOR AN ITEM. THE LOWER PRODUCT MAY BE SHIPPED IN PLACE OF THE UPPER PRODUCT. QUALITY IS THE SAME.  
(略図の寸法は、参考値です。 DIMENSIONS IN DRAWING FOR REFERENCE ONLY.)

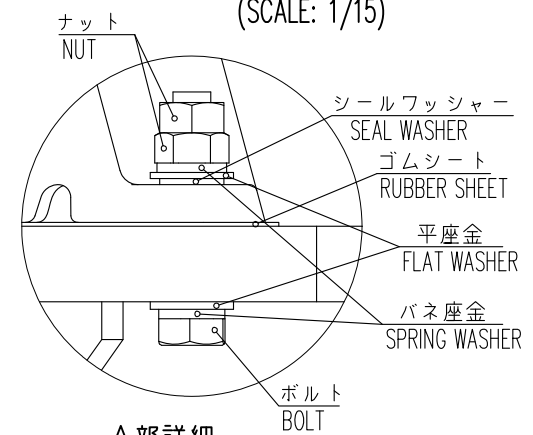
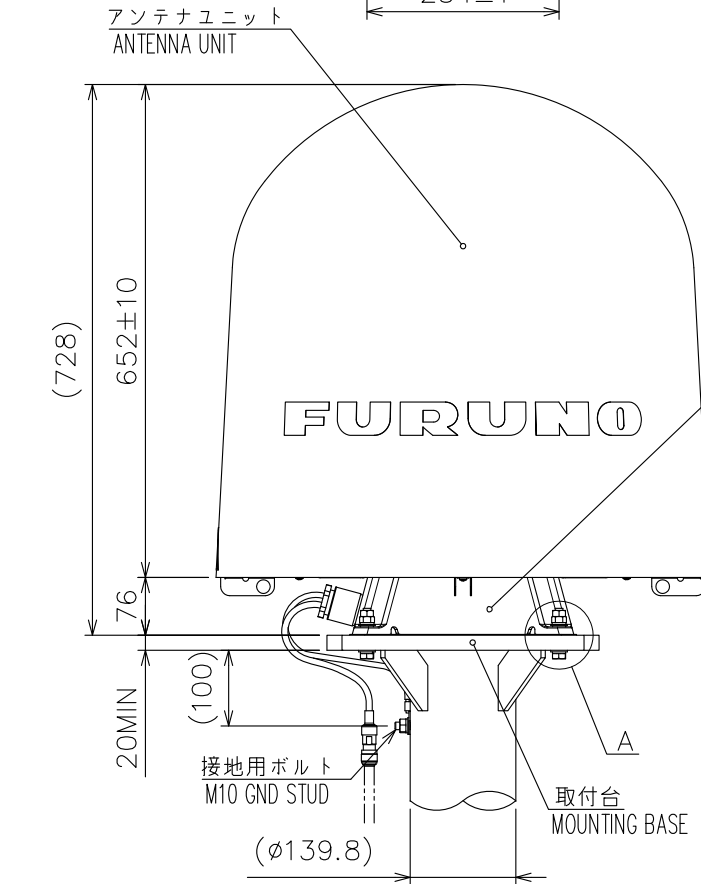


表1 TABLE 1

寸法区分 (mm) DIMENSION	公差 (mm) TOLERANCE
L ≤ 50	±1.5
50 < L ≤ 100	±2.5
100 < L ≤ 500	±3
500 < L ≤ 1000	±4



取付マストの例 (縮尺: 1/15)  
EXAMPLE OF MOUNTING MAST  
(SCALE: 1/15)



A部詳細  
DETAIL OF A

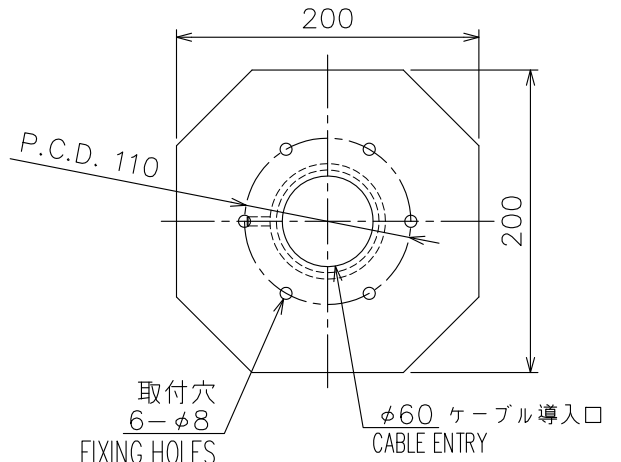
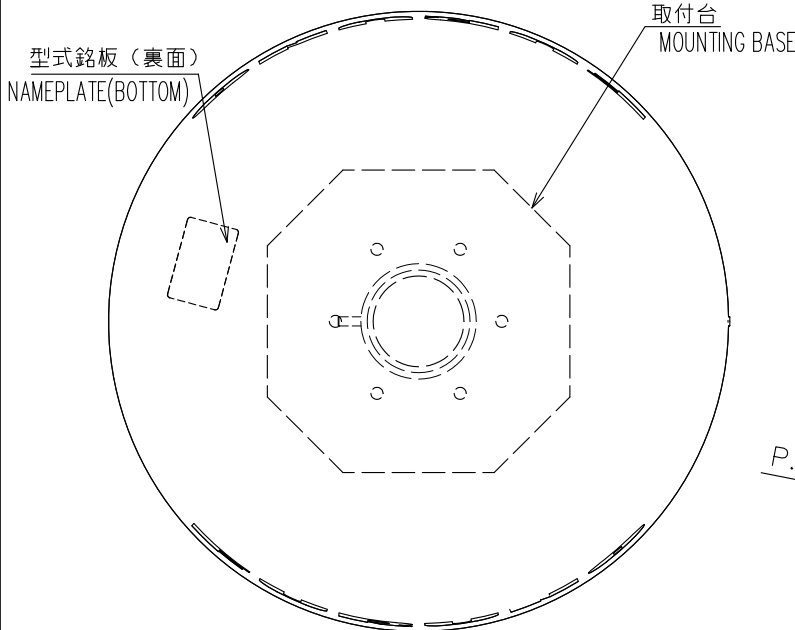
- 注 記 1) 指定外の寸法公差は表1による。  
2) 取付用ネジはM10ボルトを使用のこと。

- NOTE 1. TABLE 1 INDICATES TOLERANCE OF DIMENSIONS WHICH IS NOT SPECIFIED.  
2. USE M10 BOLTS FOR FIXING THE UNIT.

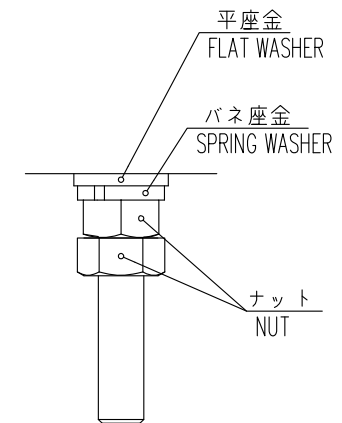
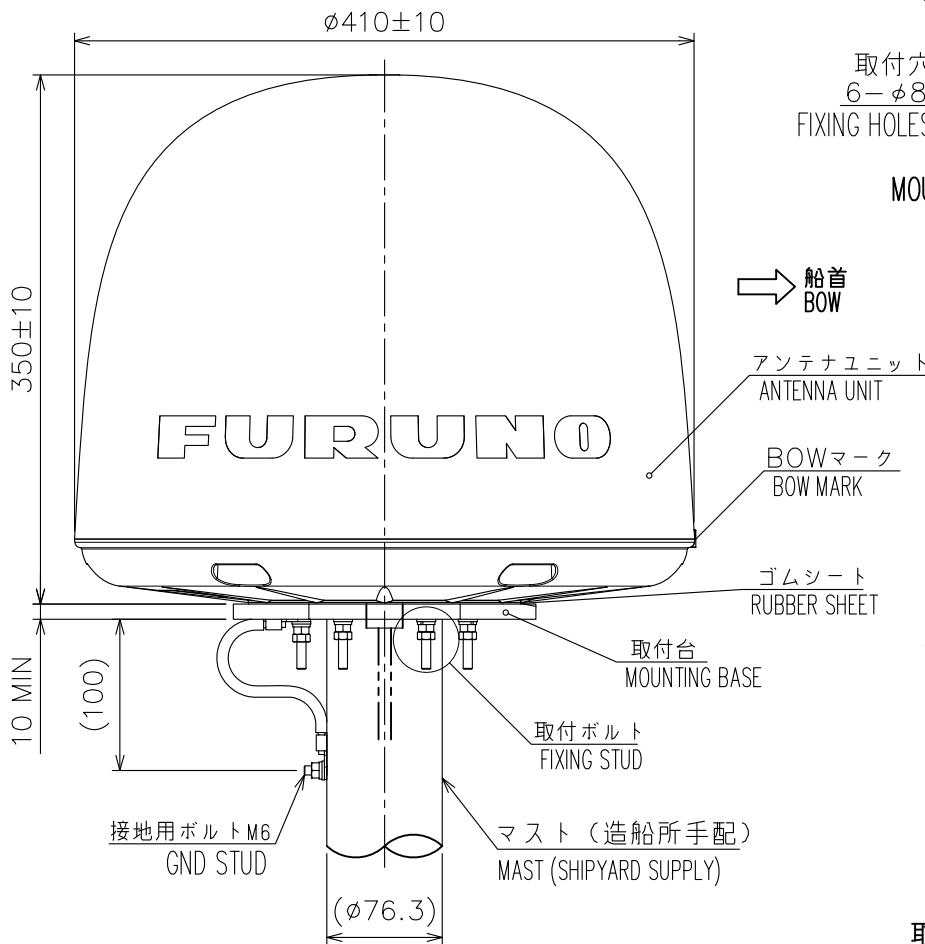
DRAWN	16/Jul/09 T.YAMASAKI	TITLE	FB-1500-A
CHECKED	16/Jul/09 T.TAKENO	名称	アンテナユニット (アタッチメント付)
APPROVED	4/Sep/09 R.Esumi		外寸図
SCALE	1/10	MASS	21 ±10% kg
DWG. No.	C5666-G03-C	REF. No.	16-021-552G-3
			NAME ANTENNA UNIT (W/ ATTACHMENT) OUTLINE DRAWING

表1 TABLE 1

寸法区分 (mm) DIMENSION	公差 (mm) TOLERANCE
$L \leq 50$	$\pm 1.5$
$50 < L \leq 100$	$\pm 2.5$
$100 < L \leq 500$	$\pm 3$



取付台平面図  
MOUNTING BASE DIMENSIONS



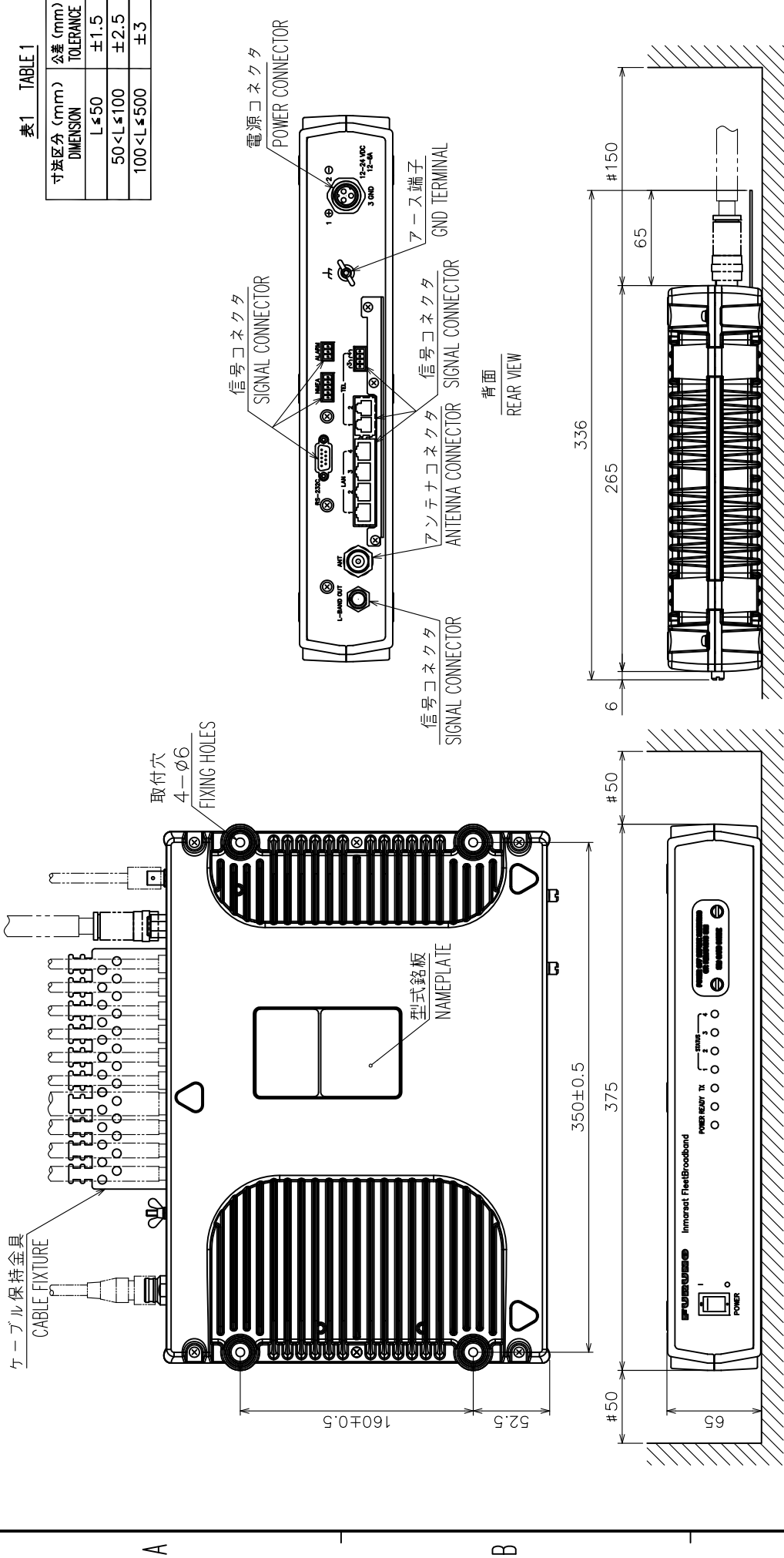
取付部詳細 (尺度: 1/1)  
DETAIL FOR FIXING (SCALE: 1/1)

注記 1) 指定外の寸法公差は表1による。  
2) ケーブルはマスト内を通る。

NOTE 1. TABLE 1 INDICATES TOLERANCE OF DIMENSIONS WHICH IS NOT SPECIFIED.  
2. ANTENNA CABLE RUNS INNER MAST.

DRAWN	28/Nov/09 T.YAMASAKI	TITLE	FB-1250
CHECKED	30/Nov/09 T.TAKENO	名称	アンテナユニット
APPROVED	11/Dec/09 R.Esumi	FELCOM 250	外寸図
SCALE	1/5	MASS	6.5 $\pm 10\%$ kg
DWG. No.	C5667-G01-A	REF. No.	16-021-650G-2
		NAME	
		ANTENNA UNIT	
		OUTLINE DRAWING	

1 2 3 4



**注記**

- #印寸法は最小サービスインスペーシングとする。
- 指定外の寸法公差は表1による。
- 取付用ネジはM5ボルト、またはプラスタックピンネジ呼び径5×50を使用のこと。

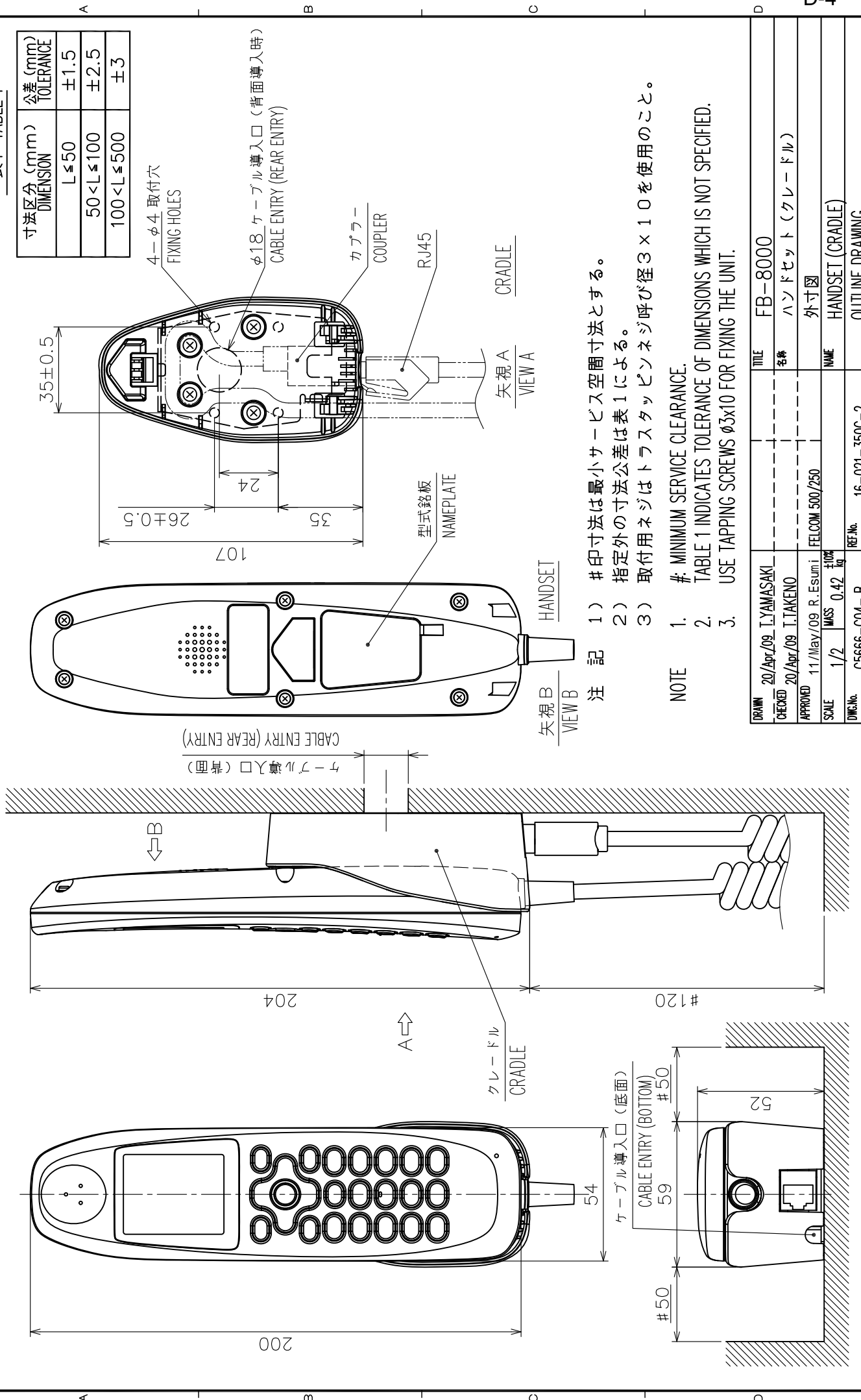
**NOTE**

- # MINIMUM SERVICE CLEARANCE.
- TABLE 1 INDICATES TOLERANCE OF DIMENSIONS WHICH IS NOT SPECIFIED.
- USE M5 BOLTS OR TAPPING SCREWS φ5x50 FOR FIXING THE UNIT.

DRAWN	21/Apr/09	I. YAMASAKI	TITLE	FB-2000
CHECKED	21/Apr/09	I. TAKENO	名称	通信制御部
APPROVED	11/May/09	R. Esumi	外寸図	
SCALE	1/4	MASS 4.1 kg	NAME	COMMUNICATION UNIT
DWG.No.	C5666-601-B	REF.No.	16-021-250G-2	OUTLINE DRAWING

表1 TABLE 1

寸法区分 (mm) DIMENSION	公差 (mm) TOLERANCE
L ≤ 50	±1.5
50 < L ≤ 100	±2.5
100 < L ≤ 500	±3



注記 1) #印寸法は最小サービス空間寸法とする。  
 2) 指定外の寸法公差は表1による。  
 3) 取付用ネジはトラスタップピンネジ呼び径3×10を使用のこと。

NOTE 1. # MINIMUM SERVICE CLEARANCE.  
 2. TABLE 1 INDICATES TOLERANCE OF DIMENSIONS WHICH IS NOT SPECIFIED.  
 3. USE TAPPING SCREWS  $\phi 3 \times 10$  FOR FIXING THE UNIT.

DRAWN	20/Apr/09 I.YAMASAKI	TITLE	FB-8000
CHECKED	20/Apr/09 I.TAKENO	名称	ハンドセット (クレードル)
APPROVED	11/May/09 R.Esumi	外寸図	
SCALE	1/2	NAME	HANDSET (CRADLE)
DMC No.	C5666-G04-B	REF.No.	16-021-350G-2
			OUTLINE DRAWING



表1 TABLE 1

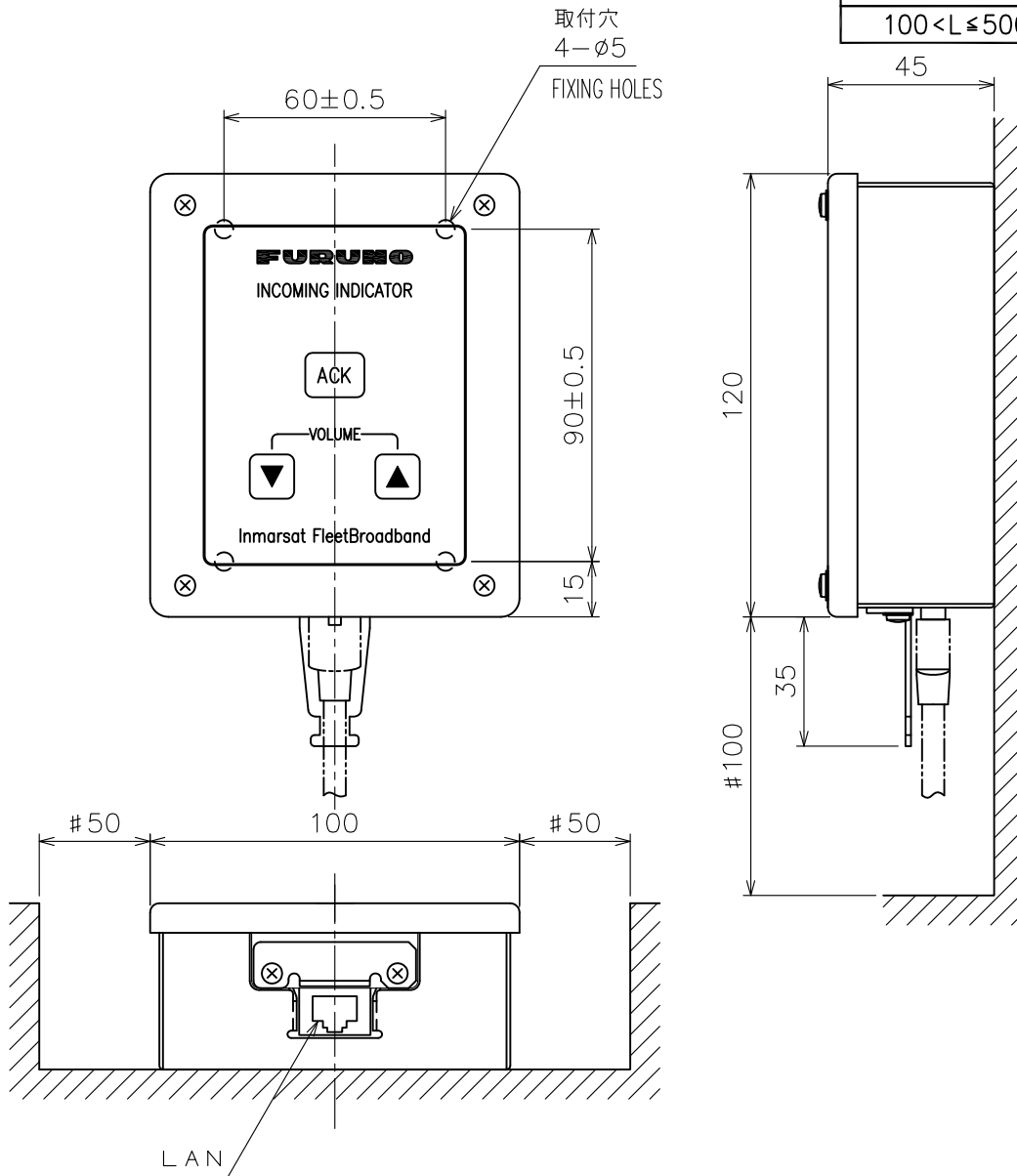
寸法区分 (mm) DIMENSION	公差 (mm) TOLERANCE
L ≤ 50	±1.5
50 < L ≤ 100	±2.5
100 < L ≤ 500	±3

A

B

C

D



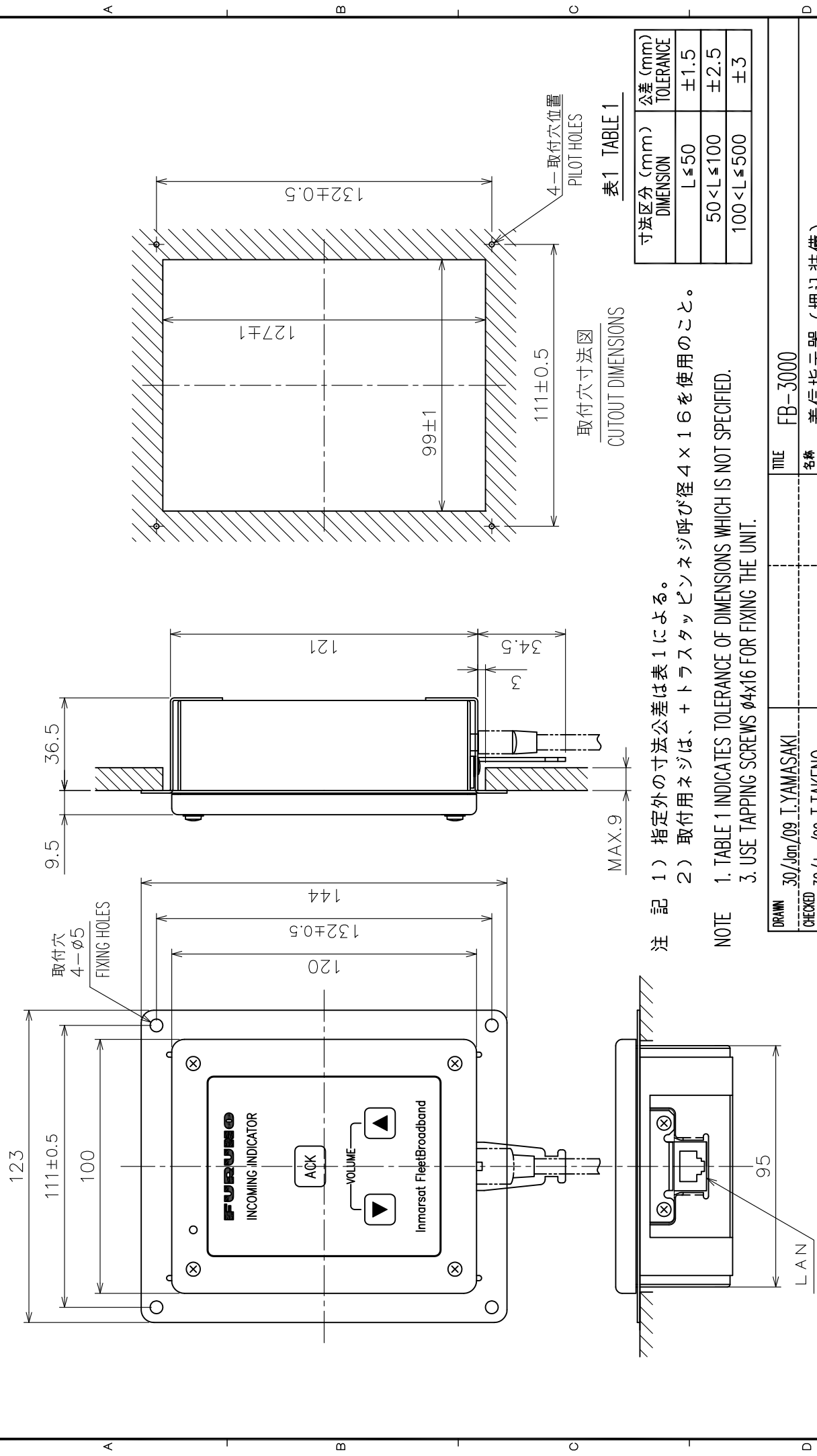
注 記

- 1) 指定外の寸法公差は表 1 による。
- 2) # 印寸法は最小サービス空間寸法とする。
- 3) 取付用ネジは、+トラスタップピンネジ呼び径 4 × 16 を使用のこと。

NOTE

1. TABLE 1 INDICATES TOLERANCE OF DIMENSIONS WHICH IS NOT SPECIFIED.
2. #: MINIMUM SERVICE CLEARANCE.
3. USE TAPPING SCREWS ∅4x16 FOR FIXING THE UNIT.

DRAWN	30/Jan/09 T.YAMASAKI	TITLE	FB-3000
CHECKED	30/Jan/09 T.TAKENO	名称	着信指示器 (壁掛装備)
APPROVED	18/Feb/09 R.Esumi		外寸図
SCALE	1/2	MASS	0.37 ±10% kg
DWG. No.	C5666-G05-A	REF. No.	16-021-450G-1
		NAME	INCOMING INDICATOR (BULKHEAD MOUNT)
			OUTLINE DRAWING



取付穴寸法図  
CUTOUT DIMENSIONS

表1 TABLE 1

寸法区分 (mm) DIMENSION	公差 (mm) TOLERANCE
$L \leq 50$	$\pm 1.5$
$50 < L \leq 100$	$\pm 2.5$
$100 < L \leq 500$	$\pm 3$

注記 1) 指定外の寸法公差は表1による。  
 2) 取付用ネジは、+トラスタックピンネジ呼び径4×16を使用のこと。  
 NOTE 1. TABLE 1 INDICATES TOLERANCE OF DIMENSIONS WHICH IS NOT SPECIFIED.  
 3. USE TAPPING SCREWS  $\phi 4 \times 16$  FOR FIXING THE UNIT.

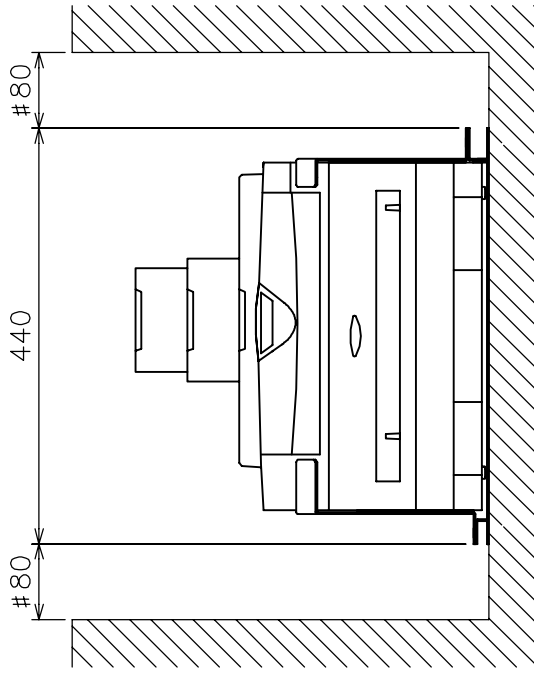
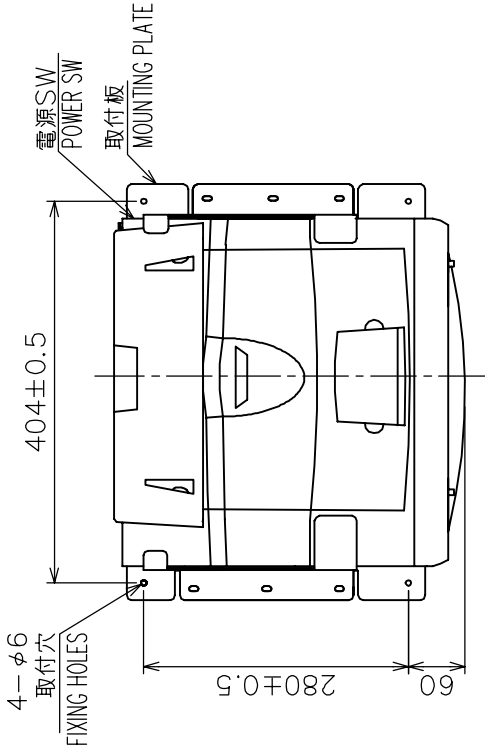
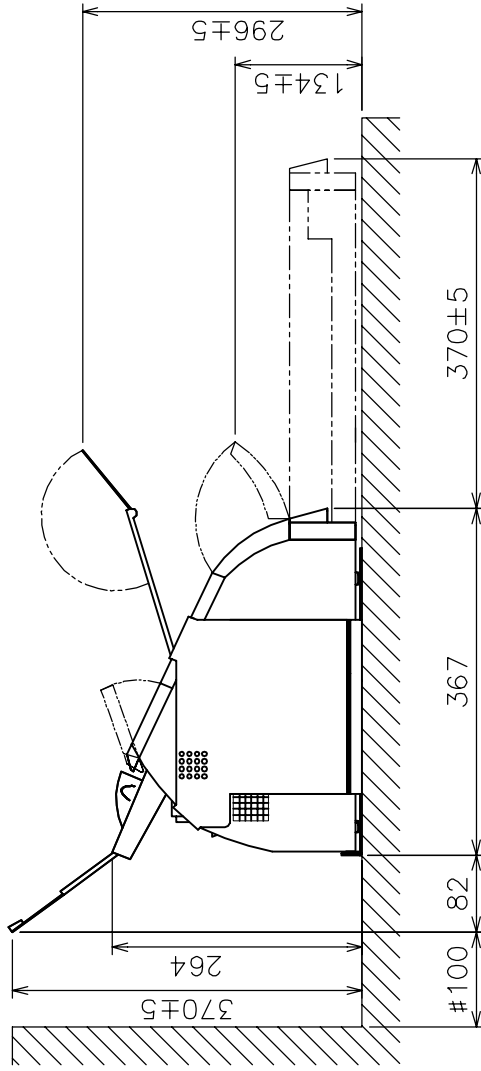
DRAWN	30/Jan/09 I.YAMASAKI	TITLE	FB-3000
CHECKED	30/Jan/09 I.TAKENO	名称	着信指示器 (埋込装備)
APPROVED	18/Feb/09 R.Esumi	外寸図	
SCALE	1/2 MASS ±10% kg	NAME	INCOMING INDICATOR (FLUSH MOUNT)
DWG. No.	C5666-G06-A	REF. No.	16-021-451G-2
OUTLINE DRAWING			

表 1 TABLE 1

寸法区分 (mm) DIMENSIONS	公差 (mm) TOLERANCE
L ≤ 50	±1.5
50 < L ≤ 100	±2.5
100 < L ≤ 500	±3

- 注 記
- 1) #印寸法は最小サービスペース寸法とする。
  - 2) 指定外の寸法公差は表1による。
  - 3) 取付用ネジはトラスタツピンネジ呼び径5×20を使用のこと。

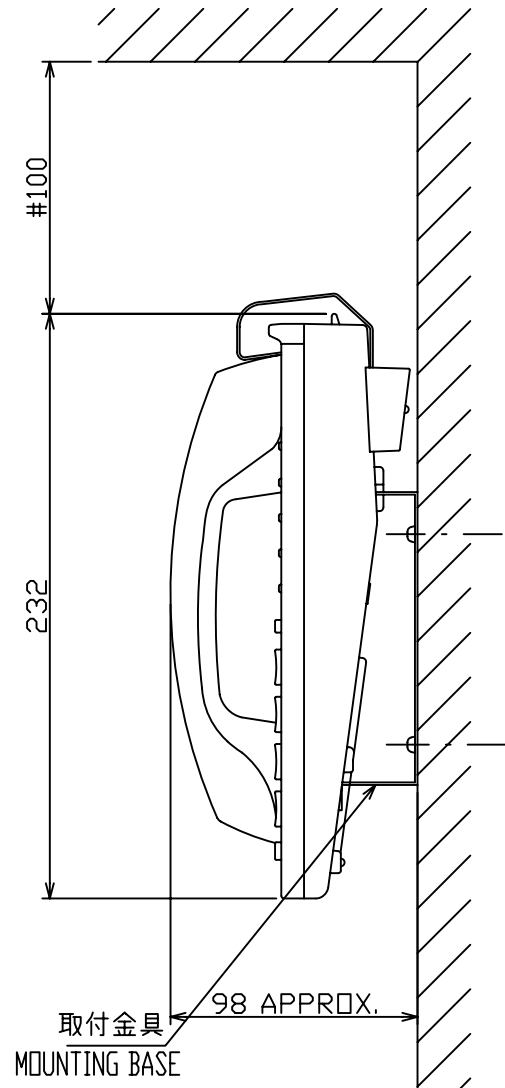
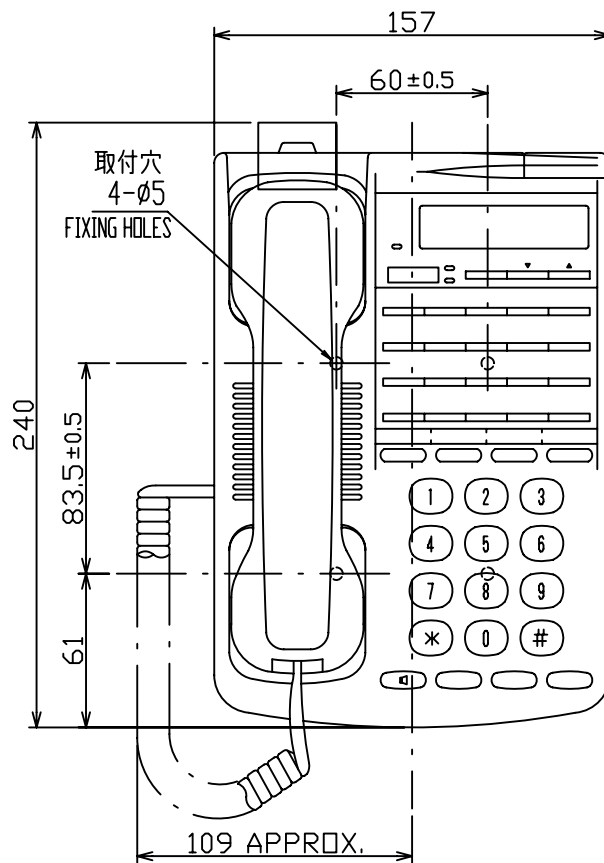
- NOTE
1. # MINIMUM SERVICE CLEARANCE.
  2. TABLE 1 INDICATES TOLERANCE OF DIMENSIONS WHICH IS NOT SPECIFIED.
  3. USE SELF-TAPPING SCREWS 5x20 FOR FIXING THE UNIT.



DRAWN	Nov. 10, '05	E. MIYOSHI	TITLE	FAX-2820
CHECKED		TAKAHASHI, T	名称	ファクシミリ (英文)
APPROVED		Y. Hatate	外寸図	
SCALE	1/8	FELCOM 82/70/50/30 質量は取付板を含む。 MASS INCLUDES MOUNTING PLATE.	NAME	FACSIMILE (ENGLISH)
DWG No.	C5624-G19-B	16-011-420G-1		OUTLINE DRAWING

表 1 TABLE 1

寸法範囲 (mm) DIMENSIONS	公差 (mm) TOLERANCE
$L \leq 50$	$\pm 1.5$
$50 < L \leq 100$	$\pm 2.5$
$100 < L \leq 500$	$\pm 3$



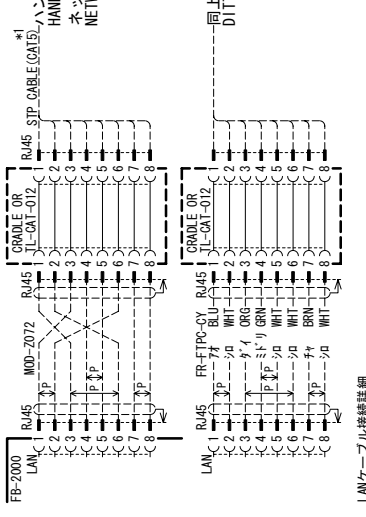
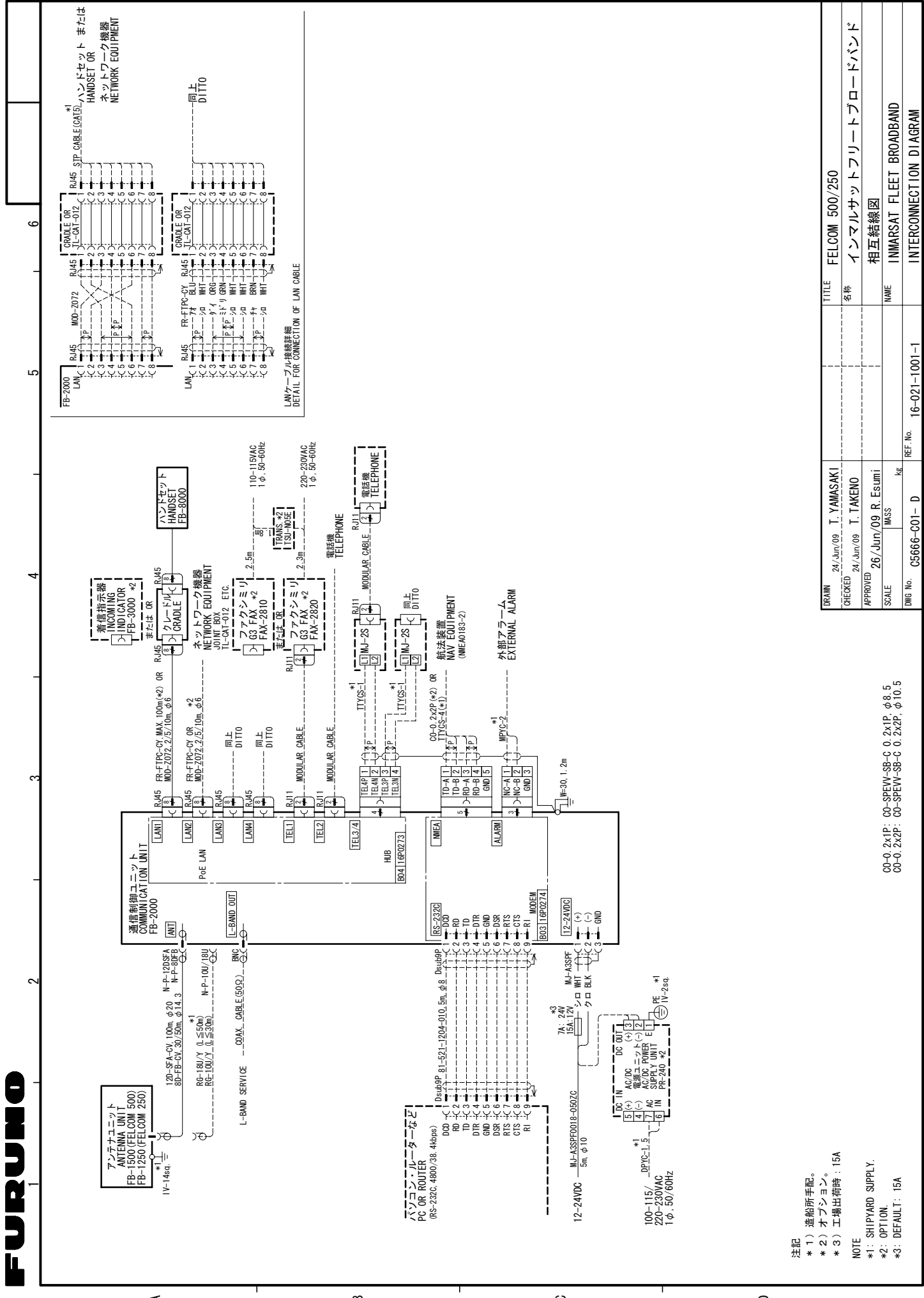
## 注記

- 1) 指定外の寸法公差は表1による。
- 2) #: 最小サービス空間寸法。
- 3) 取付にはトラスタッピンネジ4×16 SUS304を使用のこと。

## NOTE

1. TABLE 1 INDICATES TOLERANCE OF DIMENSIONS WHICH IS NOT SPECIFIED.
2. #: MINIMUM SERVICE CLEARANCE.
3. USE TAPPING SCREWS 4x16 SUS304 FOR FIXING THE UNIT.

DRAWN Feb. 9 '06	T. YAMASAKI		TYPE FC755D1
CHECKED Feb. 9 '06	T. TAKENO		名称 電話機 (壁掛装備)
APPROVED Feb. 15 '06	T. Matsuguchi	FELCOM 81/82/70	外寸図
SCALE 1/3	MASS 0.83 ±10% kg		NAME TELEPHONE (BULKHEAD MOUNT)
DWG.No. C5589-G19- D	16-011-710G- 0		OUTLINE DRAWING



**注記**  
 \*1) 造船所手配。  
 \*2) オプション。  
 \*3) 工場出荷時：15A

**NOTE**  
 \*1: SHIPYARD SUPPLY.  
 \*2: OPTION.  
 \*3: DEFAULT: 15A

DRAWN	24/Jun/09	T. YAMASAKI	TITLE	FELCOM 500/250
CHECKED	24/Jun/09	T. TAKENO	名称	インマルサットフリーボードバンド
APPROVED	26/Jun/09	R. Esumi	相互結線図	
SCALE	1/25	kg	NAME	INMARSAT FLEET BROADBAND
DWG No.	C5666-C01-D	REF. No.	INTERCONNECTION DIAGRAM	

CO-0 2x1P: CO-SPEW-SB-C 0. 2x1P φ8.5  
 CO-0 2x2P: CO-SPEW-SB-C 0. 2x2P φ10.5