

# Read This First!!

## BBWX2 Installation Guidelines

### FOR **NavNet VX2** ONLY

This guide is intended as a supplement to the Operator's and Installation manuals. Please refer to both documents as required.

**In order to properly connect and configure the BBWX2 with the NavNet VX2 the following items MUST be completed.**

- 1. **Update (or confirm) all of the NavNet VX2 processors and displays to the BBWX2 compatible software.** This software must be version 3.03 or higher. The BBWX2 works with **C-Map ONLY** displays and processors.
- 2. **Record the DATA ESN (not audio ESN) from the back of the BBWX2, then call Sirius (1-800-869-5480) to activate the WX subscription.** The subscriber's contact information and payment information must be available to activate the account.
- 3. **Connect the BBWX2 to the NavNet VX2 network.** (See diagrams)
- 3. **Set up a WX Hot page in the VX2 displays / processors** and confirm proper operation of the weather data display.

### Updating the NavNet VX2 Software

NavNet VX2's are updated by using an SD card with specific update files preloaded onto it. You can either copy the files from the included DVD, or order an SD card preloaded with the VX2 software using P/N SD1-VX2-SOF.

Once this card is obtained, power off the Navnet display or BB processor, insert the card into the SD card slot, then power up the unit. You should hear one beep to confirm power up. The screen will remain dark, then a "FURUNO Bridge" Graphic will appear. Important! DO NOT turn off the unit during the following process, otherwise the system cannot be powered up again, requiring factory repair. The entire update will take approximately two minutes.

After about two minutes, the 10.4" and 7" VX2 displays will begin beeping continuously, which indicates that the software load has finished. Remove the SD card, (powers down the Navnet automatically) then power back up. Note – The BB processors do not beep when finished – it is best to wait at least 5 minutes for the BB update to finish. After the update, perform a self-test to confirm updated software version has loaded.

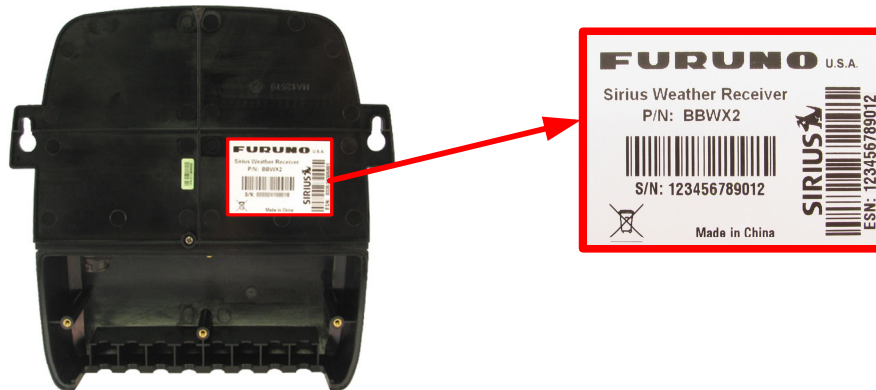
## To activate the BBWX2 Sirius Weather receiver

### 1. Write down the DATA ESN number

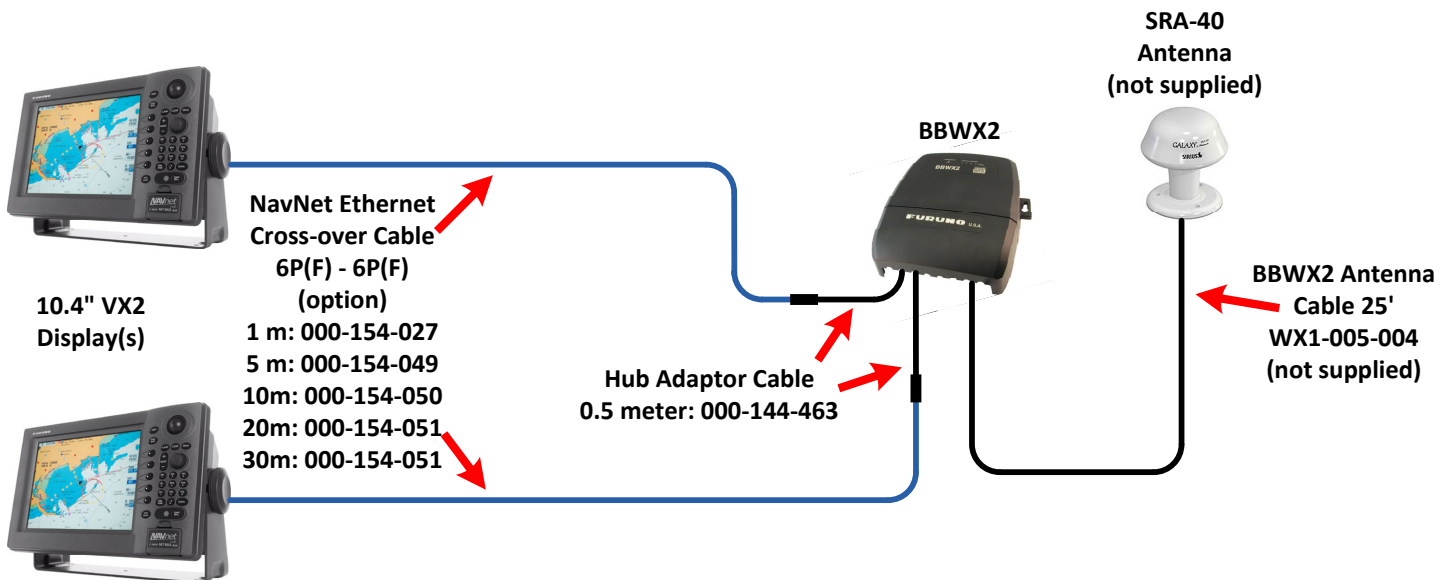
*(located on the white sticker on the bottom of the receiver module)*

### 2. Connect the Sirius antenna and power cable to power on the receiver.

### 3. Call Sirius at (800) 869-5480, to initiate the account activation.



## Connecting the BBWX2 to the NavNet VX2 Network



### Set up a "HOT PAGE" on all of the VX2 displays / processors.

Press MENU - SYS CONFIG - SYS SETUP - HOT PAGE NAV DISPLAY SETUP - HOT PAGE SETUP, then select any hot page. Choose full screen, then choose the WX icon.

