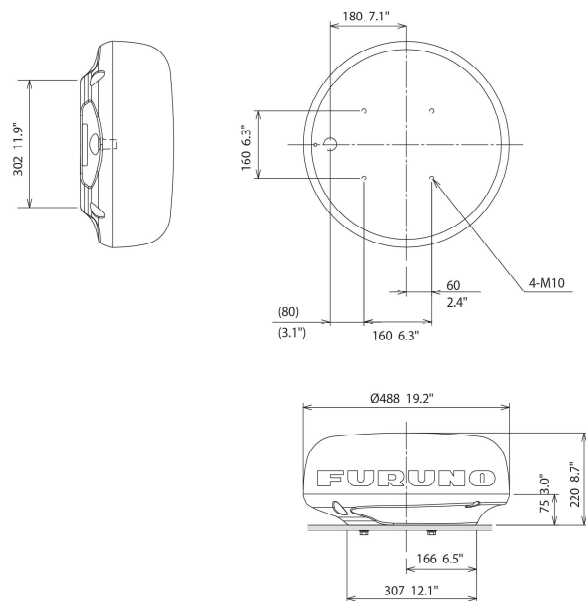


SPECIFICATIONS



NavNet 3D Radar Sensor		DRS2D	DRS4D	DRS4A
ANTENNA				
Peak Output Power		2.2 kW	4 kW	4 kW
Type		19" Radome	24" Radome	3.5' Open
RF TRANSCEIVER				
Frequency		9410 ± 30 MHz		
Pulseshift & PRR		0.08 μs/3000 Hz (0.0625 to 0.75 nm) 0.15 μs/3000 Hz (1 to 1.5 nm) 0.3 μs/1500 Hz (2 nm) 0.5 μs/1000 Hz (3 to 4 nm) 0.7 μs/600 Hz (6 to 8 nm) 0.8 μs/600 Hz (8 to 24 nm)	0.08 μs/3000 Hz (0.0625 to 0.75 nm) 0.15 μs/3000 Hz (1 to 1.5 nm) 0.3 μs/1500 Hz (2 nm) 0.5 μs/1000 Hz (3 to 4 nm) 0.7 μs/600 Hz (6 to 8 nm) 0.8 μs/600 Hz (8 to 36 nm)	0.08 μs/3000 Hz (0.0625 to 0.75 nm) 0.15 μs/3000 Hz (1 to 1.5 nm) 0.3 μs/1500 Hz (2 nm) 0.5 μs/1000 Hz (3 to 4 nm) 0.7 μs/600 Hz (6 to 8 nm) 0.8 μs/600 Hz (8 to 48 nm)
Beam Width	Horizontal	5.2°	3.9°	2.3°
	Vertical	25°	25°	22°
Range Scales		0.0625 to 24 nm	0.0625 to 36 nm	0.0625 to 48 nm
Antenna Rotation Speed		24/36/48 rpm		
Wind Load		Relative Wind 70 kt		
ENVIRONMENT				
Temperature		-30°C to + 55°C		
Waterproofing		IP26		
	MFD8	Not required (Power Provided by the Display Unit)		PSU-012
Power Amp Unit	MFD12	Not required (Power Provided by the Display Unit)		
	MFDDB	Not Required (Power Provided by the BB Processor)		

19" Radome Radar Sensor DRS2D
6.0 kg 13.2 lb



24" Radome Radar Sensor DRS4D
7.0 kg 15.4 lb

