

FURUNO®

Ultrasonic Weather Station and Nav Repeater

WEATHER STATION FUNCTIONS WITH RD30

- Apparent and True Wind Speed and Direction
- Wind Chill Temperature
- Barometric Pressure
- Air Temperature
- GPS Lat/Lon
- Compass, Heading



Furuno's RD30 & PB150 - The Ultimate Weather Station

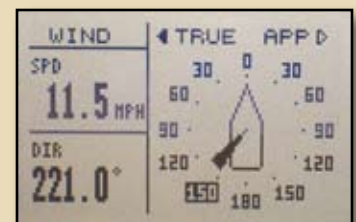
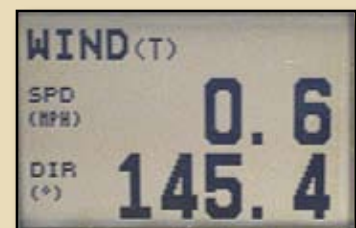
Updated vessel weather information is an essential part of the boating experience. Furuno has joined forces with Airmar to bring you the Ultimate Weather Station! By combining Furuno's popular RD30 Nav Data Repeater with the PB150 Weather Station, you can now display important weather information in a large, easy-to-read format. As an added bonus, the PB150 has been fitted with a state-of-the-art Furuno GPS sensor, allowing you to utilize the PB150 as a back-up GPS sensor. With our Ultimate Weather Station, you have your own personal weatherman on-board the boat 24 hours a day, 7 days a week! (Note: RD30 and PB150 are sold separately.)

PB150 FEATURES AT A GLANCE:

- Measures wind speed and direction without any moving parts
- Continuous operation in adverse weather conditions
- Standard 1" mount accommodates existing mounting hardware
- Quick disconnect for easy removal
- NMEA0183 compatible
- Internal Furuno GPS sensor standard
- Internal compass standard for true wind speed and direction computation
- Optional combiner interface allows PB150 to be displayed simultaneously on both the RD30 and a PC

RD30 FEATURES AT A GLANCE:

- Organizes data from PB150 or any NMEA0183 device you prefer
- 4.5" Silver Bright LCD
- Low power consumption – less than 2 Watts
- Audible alarms for temperature, course error, ship speed, cross track error, depth and arrival
- Positive display of own ship position, apparent and true wind, air temperature, barometric pressure, dew point temperature, relative humidity*, wind chill, water temperature, depth and more
- Match with Furuno Smart Sensor for depth readings as shallow as 2 feet



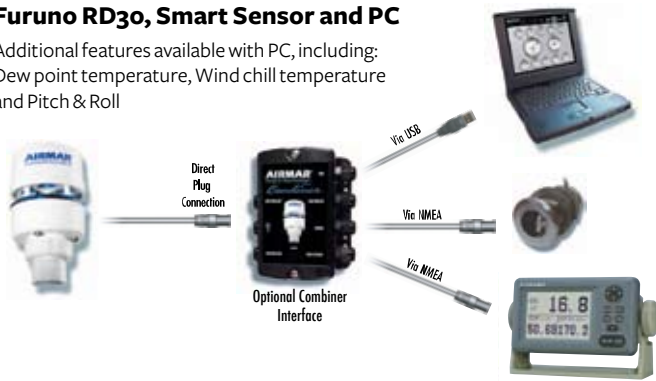
Customize the RD30 screen to show the weather information that is important to you either numerically or graphically.

**with appropriate sensor*

TECHNICAL SPECIFICATIONS

Furuno RD30, Smart Sensor and PC

Additional features available with PC, including: Dew point temperature, Wind chill temperature and Pitch & Roll



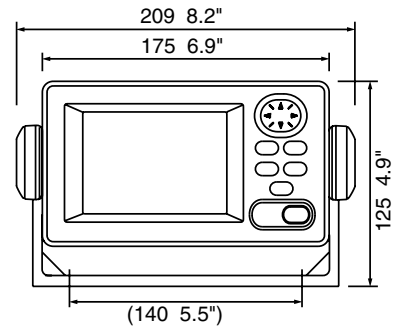
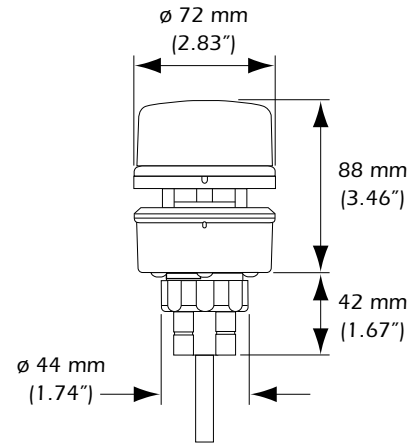
Furuno RD30 direct



Furuno NavNet 1/vx2 through RD30



DIMENSIONS



SPECIFICATIONS

Wind Speed Range	0 to 80 knots
Wind Speed Resolution	0.1 knot
Wind Direction Resolution	1°
Wind Direction Sensitivity	+/- 1.5°
Temperature Range	-25°C to 55°C
Temperature Accuracy	+/- 1°C
Compass Sensing	+/- 1° typically

Note: PB150 reading accuracy may be degraded at temp below 0°C

Barometric Pressure Range	850-1150 mb (25" - 34" Hg)
Barometric Pressure Accuracy	+/- 20 mbar
Barometric Pressure Resolution	+/- 1.1 mbar
Supply Voltage	10-16 VDC
Supply Current	<150 mA
Weight	285 grams

DATA OUTPUT PROTOCOL - NMEA0183 SENTENCE STRUCTURE

\$WIMWV Wind Speed & Angle	\$WIMWD Wind Direction & Speed	\$WIMWT True Wind Direction & Speed
\$WIMDA Meteorological Composite	\$WIXDR Wind Chill Temperature	\$WIMWMR Relative Wind Direction & Speed
\$GPGGA GPS Fix Data	\$GPGLL Geographic Position L/L	\$GPZDA Time & Date
\$GPRMC Recommended Min. GNSS	\$GPVTG COG and SOG	\$HCHDG Heading, Deviation, Variation
\$GPDTM Datum Reference	\$GPGSV Satellites In View	\$GPGSA GNSS DOP + Active Satellite

ALL SPECIFICATIONS SUBJECT TO CHANGE WITHOUT NOTICE