

# **FURUNO**

## **OPERATOR'S MANUAL**

*Dual GPS*

MODEL **GP-150-DUAL**

---

**ECF**

(Elemental Chlorine Free)

The paper used in this manual  
is elemental chlorine free.

**FURUNO ELECTRIC CO., LTD.**

9-52 Ashihara-cho,  
Nishinomiya, 662-8580, JAPAN

Telephone : +81-(0)798-65-2111

Fax : +81-(0)798-65-4200

• FURUNO Authorized Distributor/Dealer

All rights reserved. Printed in Japan

Pub. No. OME-44410-D

(HIMA ) GP-150-DUAL

A : FEB . 2006

D : NOV . 06, 2008



\* 0 0 0 1 5 8 0 2 0 1 3 \*

# IMPORTANT NOTICES

---

## General

- The operator of this equipment must read and follow the descriptions in this manual. Wrong operation or maintenance can cancel the warranty or cause injury.
- Do not copy any part of this manual without written permission from FURUNO.
- If this manual is lost or worn, contact your dealer about replacement.
- The contents of this manual and equipment specifications can change without notice.
- The example screens (or illustrations) shown in this manual can be different from the screens you see on your display. The screens you see depend on your system configuration and equipment settings.
- Save this manual for future reference.
- Any modification of the equipment (including software) by persons not authorized by FURUNO will cancel the warranty.
- All brand and product names are trademarks, registered trademarks or service marks of their respective holders.

## How to discard this product

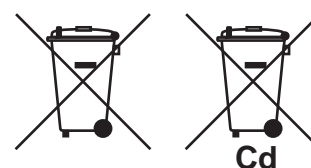
Discard this product according to local regulations for the disposal of industrial waste. For disposal in the USA, see the homepage of the Electronics Industries Alliance (<http://www.eiae.org/>) for the correct method of disposal.

## How to discard a used battery

Some FURUNO products have a battery(ies). To see if your product has a battery(ies), see the chapter on Maintenance. Follow the instructions below if a battery(ies) is used.

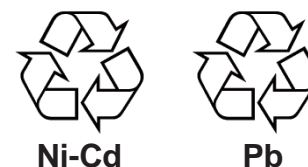
### In the European Union

The crossed-out trash can symbol indicates that all types of batteries must not be discarded in standard trash, or at a trash site. Take the used batteries to a battery collection site according to your national legislation and the Batteries Directive 2006/66/EU.



### In the USA

The Mobius loop symbol (three chasing arrows) indicates that Ni-Cd and lead-acid rechargeable batteries must be recycled. Take the used batteries to a battery collection site according to local laws.



### In the other countries

There are no international standards for the battery recycle symbol. The number of symbols can increase when the other countries make their own recycling symbols in the future.



# SAFETY INSTRUCTIONS



## WARNING



**Do not open the cover of the equipment.**

This equipment uses high voltage electricity which can shock, burn or cause death. Only qualified personnel should work inside the equipment.

**Do not disassemble or modify the equipment.**

Fire, electrical shock or serious injury can result.

**Immediately turn off the power at the ship's mains switchboard if water or foreign object falls into the equipment or the equipment is emitting smoke or fire.**

Continued use of the equipment can cause fire, electrical shock or serious injury.



## CAUTION

**Use the correct fuse.**

Use of the wrong fuse can cause fire or equipment damage.

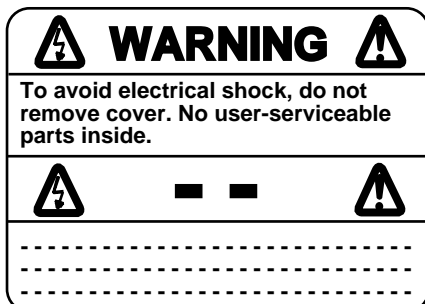
**No single navigation aid (including this unit) should ever be relied upon as the exclusive means for navigating your vessel.**

The navigator is responsible for checking all aids available to confirm his position. Electronic aids are intended to assist, not replace, the navigator.

**Use of an autopilot with this unit, to provide automatic steering to destination, does not eliminate the need to maintain a watch.**

Always maintains a vigilant watch to prevent collision or grounding.

### WARNING Label attached



Name: Warning Label (1)

Type: 86-003-1011-1

Code No.: 100-136-231

# TABLE OF CONTENTS

<b>FOREWORD</b> .....	v
<b>SYSTEM CONFIGURATION</b> .....	vi
<b>EQUIPMENT LISTS</b> .....	vii
<b>1. OPERATIONAL OVERVIEW</b>	
1.1 Control Description.....	1-1
1.2 Turning On and Off the Power .....	1-2
1.3 Adjusting Display Contrast and Brilliance.....	1-3
1.4 Display Mode.....	1-3
1.5 Transmitting Data .....	1-6
1.6 The Interface Unit.....	1-8
<b>2. DISPLAY AND TRACK</b>	
2.1 Enlarging/Shrinking the Display .....	2-1
2.2 Display Orientation .....	2-1
2.3 The Cursor.....	2-1
2.4 Shifting the Display.....	2-2
2.5 Centering Own Ship's Position.....	2-2
2.6 Stopping/Starting Plotting and Recording of Track.....	2-2
2.7 Erasing Track.....	2-3
2.8 Track Plotting Interval.....	2-4
2.9 Apportioning the Memory .....	2-5
2.10 Bearing Reference .....	2-5
<b>3. MARKS</b>	
3.1 Entering Marks .....	3-1
3.2 Erasing Marks.....	3-1
3.3 Mark Shape .....	3-2
3.4 Connecting Marks.....	3-2
3.5 Entering Event Marks .....	3-2
3.6 Event Mark Shape.....	3-3
3.7 Entering the MOB Mark.....	3-3
<b>4. NAVIGATION PLANNING</b>	
4.1 Entering Waypoints .....	4-1
4.2 Editing Waypoints.....	4-4
4.3 Erasing Waypoints.....	4-4
4.4 Entering Routes.....	4-5
4.5 Erasing Route Waypoints.....	4-6
4.6 Replacing Route Waypoints .....	4-7
4.7 Erasing Routes .....	4-7
<b>5. SETTING DESTINATION</b>	
5.1 Setting Destination .....	5-1
5.2 Cancelling Destination.....	5-5
5.3 Erasing Route Waypoints (flags).....	5-6
5.4 Finding Range and Bearing Between Two Points.....	5-7
<b>6. SETTING UP VARIOUS DISPLAYS</b>	
6.1 The Data Display .....	6-1
6.2 Position Format .....	6-2
6.3 Demo Display .....	6-4
<b>7. ALARMS</b>	
7.1 Overview.....	7-1
7.2 Arrival Alarm, Anchor Watch Alarm..	7-1
7.3 Cross Track Error (XTE) Alarm .....	7-2
7.4 Speed Alarm .....	7-3
7.5 Trip Alarm .....	7-3
7.6 Water Temperature Alarm.....	7-4
7.7 Depth Alarm.....	7-4
7.8 WAAS/DGPS Alarm.....	7-4
<b>8. MENU SETTINGS</b>	
8.1 GPS SETUP Menu.....	8-1
8.2 Units of Measurement .....	8-4
8.3 Size and Brilliance of Markers.....	8-5
8.4 Outputting Data .....	8-6
8.5 Receiving Data from Personal Computer.....	8-8
8.6 WAAS/DGPS Setting.....	8-10
8.7 GPS Monitor Display .....	8-11
<b>9. MAINTENANCE &amp; TROUBLESHOOTING</b>	
9.1 Clearing the Memory .....	9-1
9.2 Preventive Maintenance.....	9-2
9.3 Error Messages .....	9-2
9.4 Troubleshooting.....	9-4
9.5 Diagnostic Tests .....	9-5
9.6 Interface Unit IF-2500.....	9-6
<b>10.1 INSTALLATION</b>	
10.1 General.....	10-1
10.2 Display Unit .....	10-2
10.3 Antenna Unit.....	10-4
10.4 Wiring.....	10-8
10.5 Initial Settings .....	10-9
10.6 Interface Unit IF-2500.....	10-18
10.7 GPS/BEACON Antenna Distributor MD-GB2 ....	10-22
<b>APPENDIX</b>	
Menu Tree.....	AP-1
World Time Standards .....	AP-3
Geodetic Chart List.....	AP-5
Loran C Chains.....	AP-6
Decca Chains .....	AP-7
Parts List.....	AP-8
Parts Location.....	AP-9
Interface Documentation .....	AP-10

TABLE OF CONTENTS

**SPECIFICATIONS OF GP-150-DUAL . SP-1**  
**PACKING LISTS..... A-1**  
**OUTLINE DRAWINGS..... D-1**  
**INTERCONNECTION DIAGRAM .....S-1**  
**INDEX ..... IN-1**

# FOREWORD

---

## A Word to GP-150-DUAL Owners

Congratulations on your choice of the FURUNO GP-150-DUAL dual differential GPS navigation system. We are confident you will see why the FURUNO name has become synonymous with quality and reliability.

For 60 years FURUNO Electric Company has enjoyed an enviable reputation for innovative and dependable marine electronics equipment. This dedication to excellence is furthered by our extensive global network of agents and dealers.

This equipment is designed and constructed to meet the rigorous demands of the marine environment. However, no machine can perform its intended function unless operated and maintained properly. Please carefully read and follow the recommended procedures for operation and maintenance.

We would appreciate hearing from you, the end-user, about whether we are achieving our purposes.

Thank you for considering and purchasing FURUNO equipment.

## Features

The GP-150-DUAL consists of two dual differential GPS navigator systems and an interface unit. Each GPS navigator consists of a display unit combining a GPS receiver and video plotter, a GPS antenna. The interface unit functions to exchange data between the GPS navigators and external equipment. A high sensitivity receiver tracks up to 12 satellites simultaneously. An 8-state Kalman filter ensures optimum accuracy in determination of vessel position, course and speed.

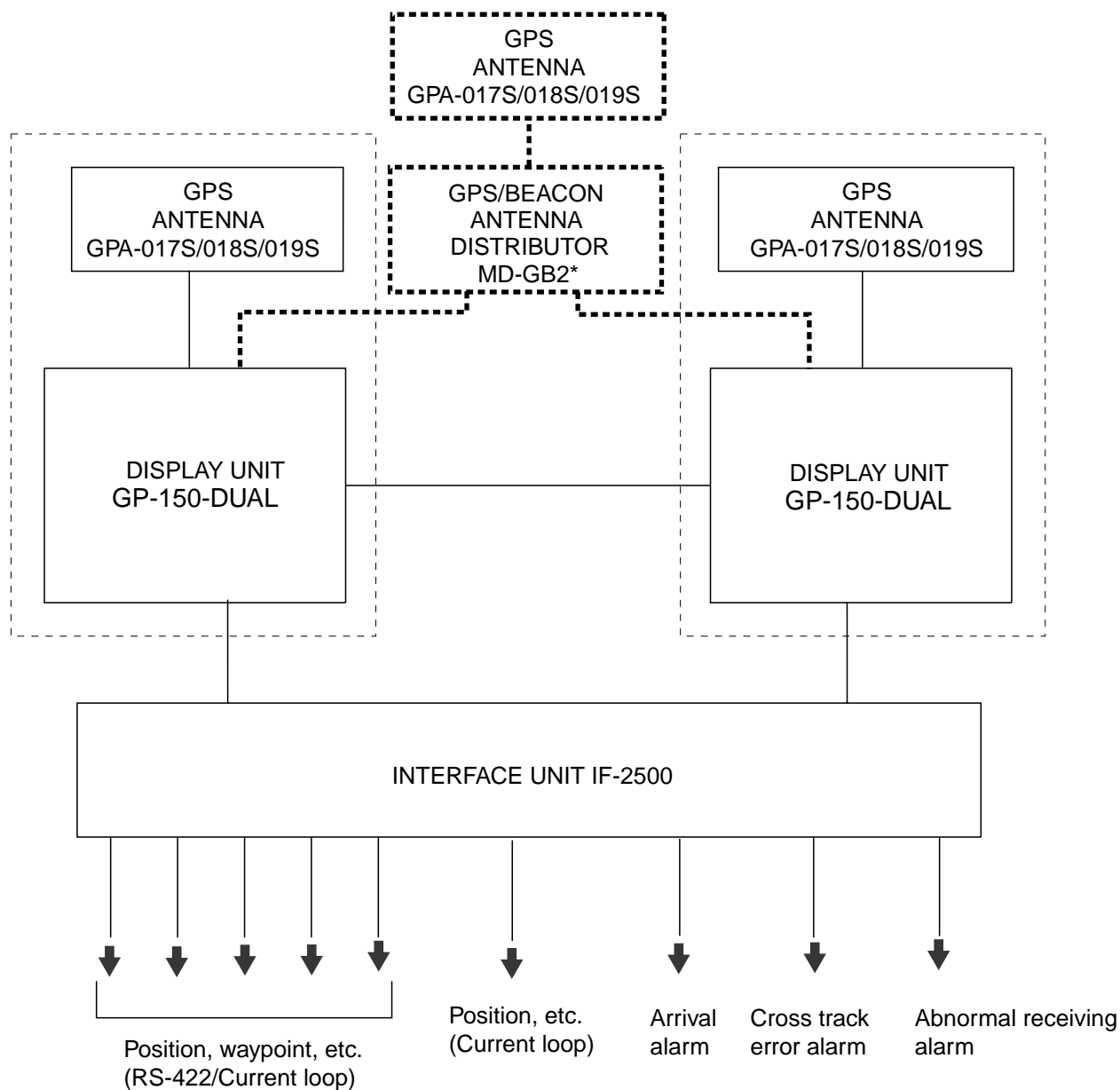
The main features of the GP-150-DUAL are

- Comprehensive navigation data displays
- Storage for 999 waypoints and 30 routes
- Alarms: Waypoint Arrival, Anchor Watch, Cross track Error, Speed, Water Temperature, Depth, and Trip
- Man overboard feature records latitude and longitude coordinates at time of man overboard and provides continuous updates of range and bearing to that point.
- Menu-driven operation
- Bright 122 x 92 mm LCD with temperature compensated tone and brilliance adjustment
- Power consumption is a low 10 W per navigator.
- Connection of autopilot (option) - steering data output to autopilot
- Digital display of water temperature and depth with connection of echo sounder having IEC 61162-1/NMEA input
- Memory stores 2,000 points of track and marks.
- 3D "Highway" display shows ship's track overlaid on intended course.
- Position may be shown in latitude and longitude or LOP (Loran or Decca).
- Navaid information (lighthouse data, lighted buoys, etc.) can be displayed by downloading database from personal computer.
- Fully meets the following regulations: IMO MSC. 112(73), IEC 61162-1 and IEC 61108-1.

## Program No.

2051518-01.xx (January, 2006)

# SYSTEM CONFIGURATION



## CATEGORY OF UNITS

Unit	Category
ANTENNA UNIT	Exposed to weather
DISPLAY UNIT	Protected from weather

\* When an antenna unit is commonly used, GPS/BEACON Antenna Distributor MD-GB2 is required.



# EQUIPMENT LISTS

## Standards

Name	Type	Q'ty	Remarks	
Antenna Unit	GPA-017S	1	For DGPS	
	GPA-018S			
	GPA-019S			
Display Unit	GP-150-E-N	1	Without Beacon RX	
	GP-150-E-A		With Beacon RX	
Installation Materials	CP20-01900	1 set	See lists at end of manual.	With Antenna Cable
	CP20-01950			Without Antenna Cable
Accessories	FP20-01100	1 set		
Spare Parts	SP20-00500	1 set		

## Options

Name	Type	Code No.	Remarks
Flush Mount Kit S	OP20-24	004-393-000	For display unit.
Flush Mount Kit F	OP20-25	004-393-280	
Antenna Cable Set	CP20-01700	004-372-110	CP20-01701+30 m cable
	CP20-02700	004-381-160	CP20-02701+30 m cable
	CP20-01710	004-372-120	CP20-01701+50 m cable
	CP20-02710	004-381-170	CP20-02701+50 m cable
Antenna Cable Assy.	TNC-PS-3D-15	000-133-670	15 m
Right Angle Antenna Base	No.13-QA330	000-803-239	For antenna unit.
L-Type Antenna Base	No.13-QA310	000-803-240	
Handrail Antenna Base	No.13-RC5160	000-806-114	
Mast Mount Kit	CP20-01111	004-365-780	
Cable Assy	MJ-A6SPF0011-050C (03S9202)	000-159-690-10	Cross Cable 5m, 6P-4P
	MJ-A6SPF0011-100C (03S9226)	000-159-691-10	Cross Cable 10m, 6P-4P
	MJ-A7SPF0003-050C (20S0241)	000-159-688-11	5 m, For DATA4
	MJ-A6SPF0003-050C (20S0093)	000-154-054-10	5 m
	MJ-A6SPF0012-050C (64S4073)	000-154-053-10	Cross cable 5 m
	MJ-A6SPF0012-100C (64S4071)	000-154-037-10	Cross cable 10 m

(Continued from the previous page)

Beacon Receiver Set	OP20-32-1	000-041-018	With GPA-018S
	OP20-32	000-041-019	With whip antenna and OP20-32-1
	OP20-33	000-041-596	With GPS-019S
	OP20-34	000-041-598	Without whip antenna
Rectifier	PR-62	000-013-485	For 100VAC mains
		000-013-486	For 220VAC mains
DGPS Beacon Receiver	GR-80	-	
Whip Antenna	FAW-1.2	000-130-046	1.2 m
Interface Unit	IF-2500	-	
	IF-2503	-	For alarm system
Printer	PP-505-FP	000-011-792	
Data Switch Box	MD-200	-	

# 1. OPERATIONAL OVERVIEW

## 1.1 Control Description

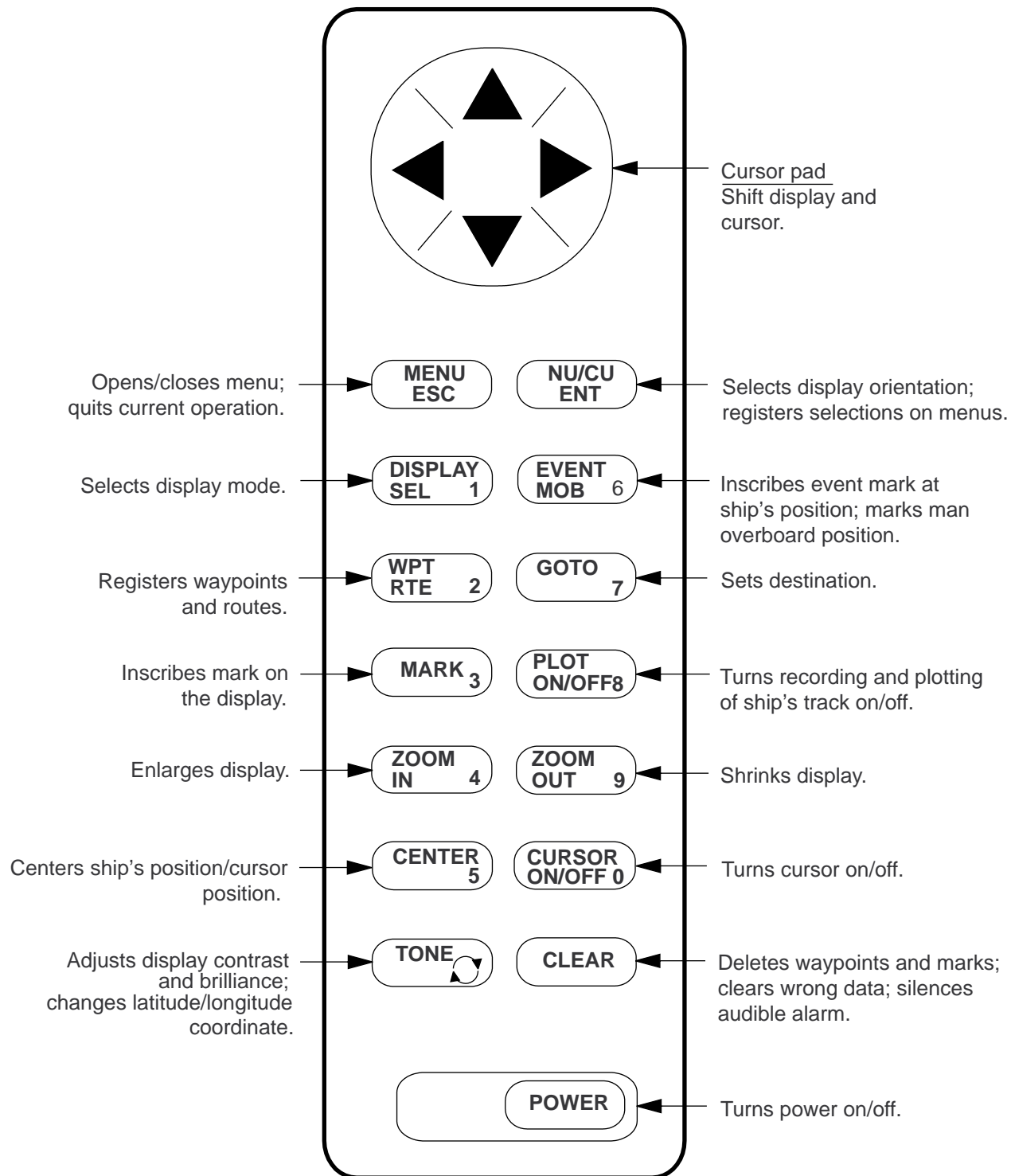


Figure 1-1 Control Panel

# 1. OPERATIONAL OVERVIEW

## 1.2 Turning On and Off the Power

The GP-150-DUAL takes about 90 seconds to find its position when turned on for the very first time. Other times it takes about 12 seconds.

**Note:** The GPS provides highly accurate position information. However, position should always be checked against other aids to navigation to confirm reliability, for the safety of vessel and crew.

### Turning on the power

Press the **POWER** key.

The unit tests the PROGRAM MEMORY, SRAM and battery for proper operation and shows the results on the display. If equipped with the internal beacon receiver, "BEACON RCVR INSTALLED" appears at the bottom of the display. After the test has been completed, the unit starts up with the last-used display mode.

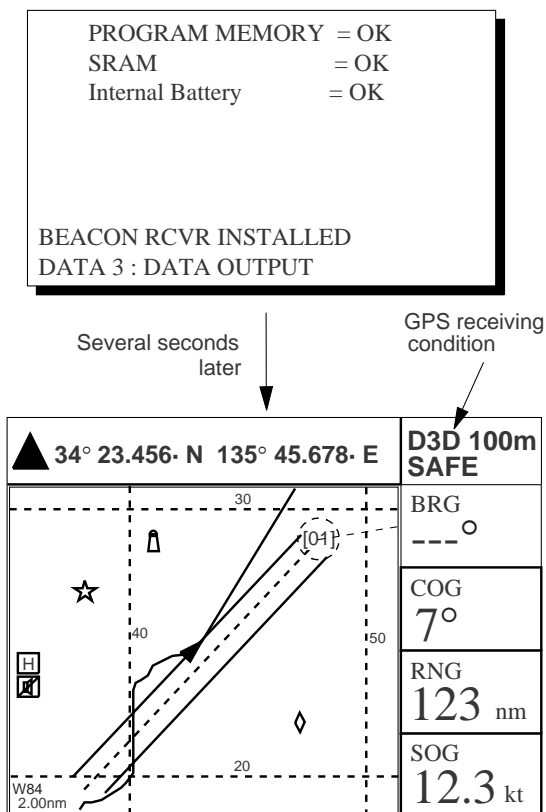


Figure 1-2 Appearance of display when turning on the power

When turning on the power the following occurs:

12 seconds after turning on the power, accurate position (in latitude and longitude) appears on the display.

If position could not be found, "NO FIX" blinks at the GPS receiving condition window. When PDOP (Position Dilution Of Precision) value exceeds 6 in the 3D mode or HDOP (Horizontal Dilution Of Precision) value exceeds 4 in the 2D mode, "DOP" blinks to indicate abnormal fixing and the position indication is not updated.

When the satellite signal is being received normally, one of the indications shown in Table 1-1 appears depending on equipment setting and GPS receiver state.

Table 1-1 GPS receiver indication

Indication	Meaning
2D	GPS 2D
3D	GPS 3D
D2D	Differential 2D
D3D	Differential 3D
W2D	WAAS 2D
W3D	WAAS 3D

**Note 1:** When PDOP value exceeds 6 in the 3D mode, the position fixing method is automatically changed to 2D.

**Note 2:** The "DEMO" icon appears when the display is in the demonstration mode. To return to the normal mode, turn off the power and turn it on while pressing and holding down the **NU/CU ENT** key.

### Turning off the power

Press the **POWER** key.

The next time you turn on the power the unit starts up with the last-used display mode.

### 1.3 Adjusting Display Contrast and Brilliance

- 1) Press the **TONE** key. The display shown in Figure 1-3 appears.

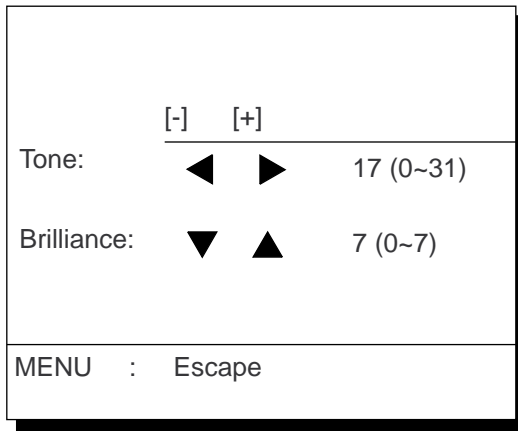


Figure 1-3 Screen for adjustment of display tone and brilliance

- 2) **To adjust tone**, press ◀ or ▶. Current setting and setting range (0-31) are shown to the right of "▶".
- 3) **To adjust brilliance**, press ▲ or ▼. Current setting and setting range (0-7) are shown to the right of "▲".

**Note 1:** Operate cursor pad within 10 seconds after pressing the **TONE** key. Otherwise, the screen for adjustment of tone and brilliance will be cleared.

**Note 2:** If the display is turned off with minimum tone it will be blank at the next power up. When this occurs press the **TONE** key continuously to adjust tone.

### 1.4 Display Mode

- 1) Press the **DISPLAY SEL** key. The display shown in Figure 1-4 appears.

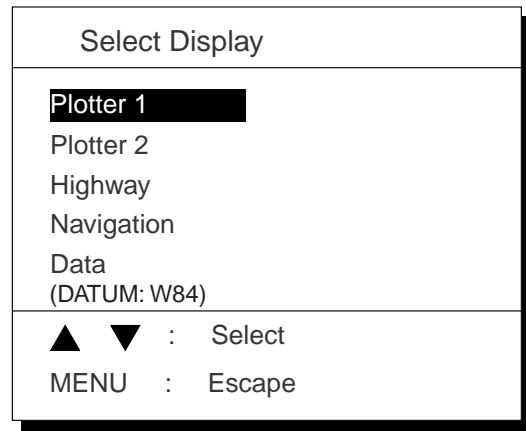
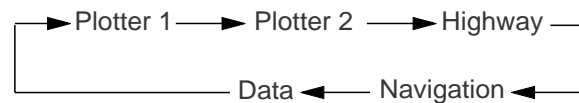


Figure 1-4 Screen for selection of display mode

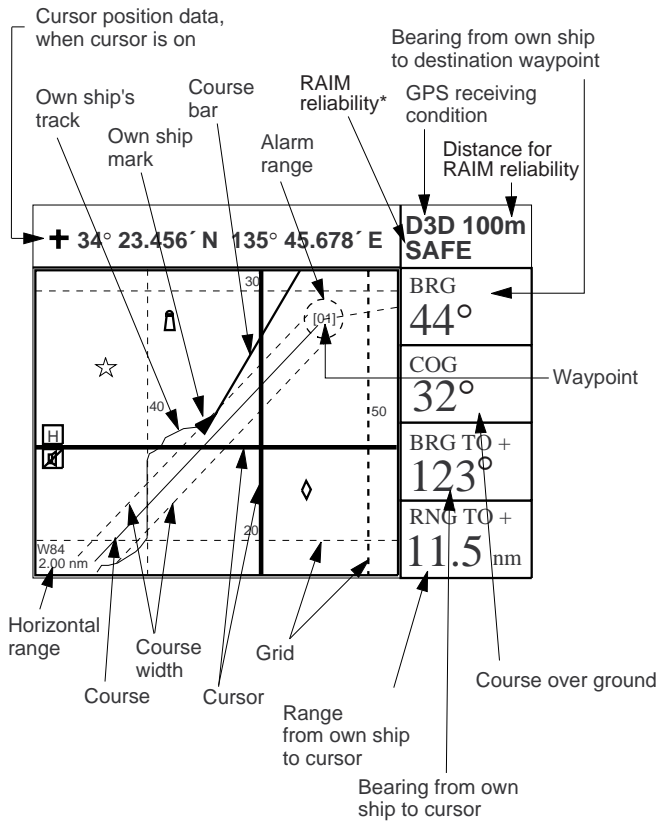
- 2) Press the **DISPLAY SEL** key, ▲ or ▼ to select display mode. (When the **DISPLAY SEL** key is pressed, the display mode changes in sequence shown below.) Selected display mode appears.



Sample displays of each display mode are shown in the figures on the next several pages.

# 1. OPERATIONAL OVERVIEW

## Plotter 1 display



\*: For RAIM function, refer to page 8-1.

Figure 1-5 Plotter 1 display

## Plotter 2 display

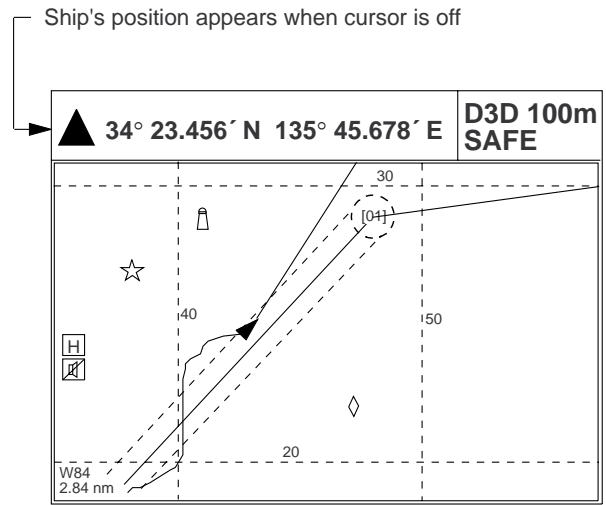


Figure 1-6 Plotter 2 display

## Highway display

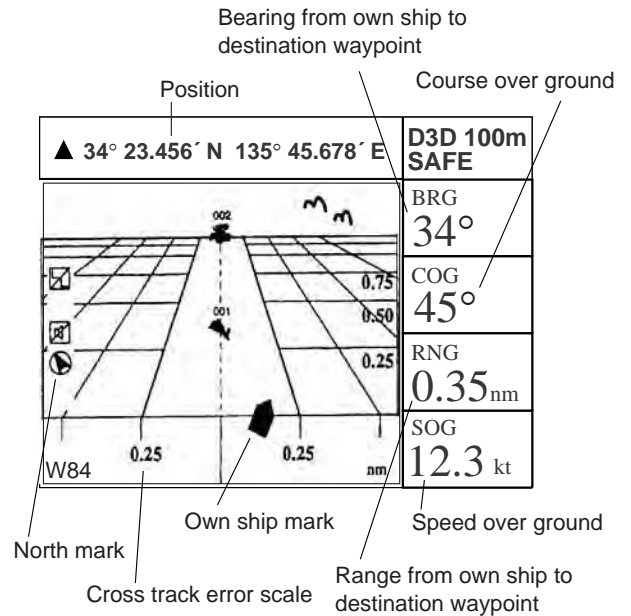


Figure 1-7 Highway display

**Navigation display**

**1) No autopilot**

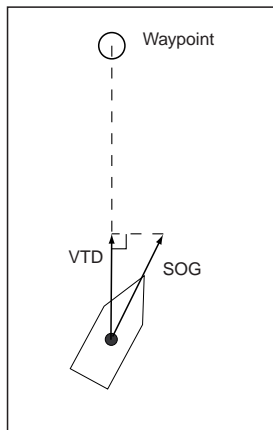
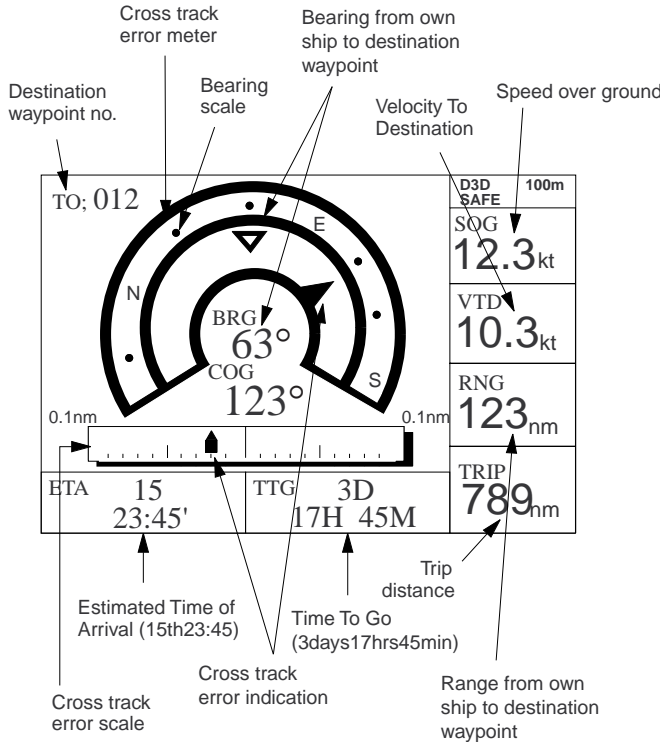


Figure 1-8 Navigation display, no autopilot

**2) Autopilot connected, automatic mode**

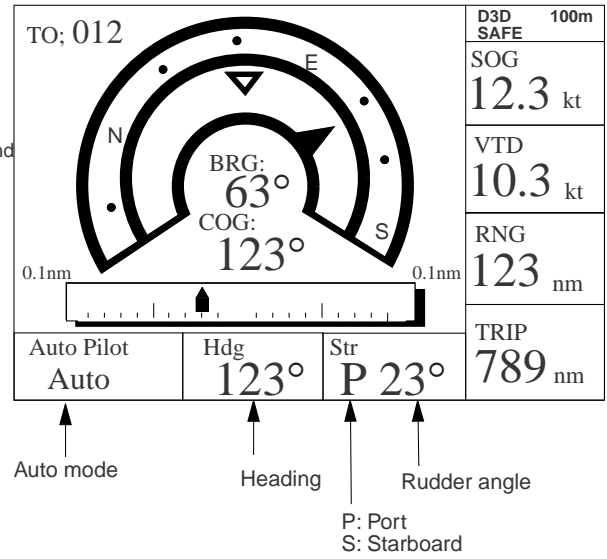


Figure 1-9 Navigation display, with autopilot connected, automatic mode

**3) Autopilot connected, modes other than automatic mode (manual, nav, etc.)**

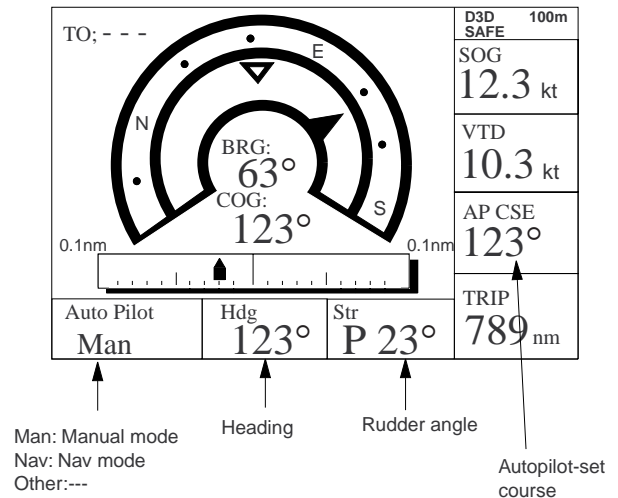


Figure 1-10 Navigation display, autopilot connected, modes other than the automatic mode

# 1. OPERATIONAL OVERVIEW

## Data display

Refer to Chapter 6 for user-defined window setting. The ZOOM icon can be displayed by pressing the **CURSOR ON/OFF** key.

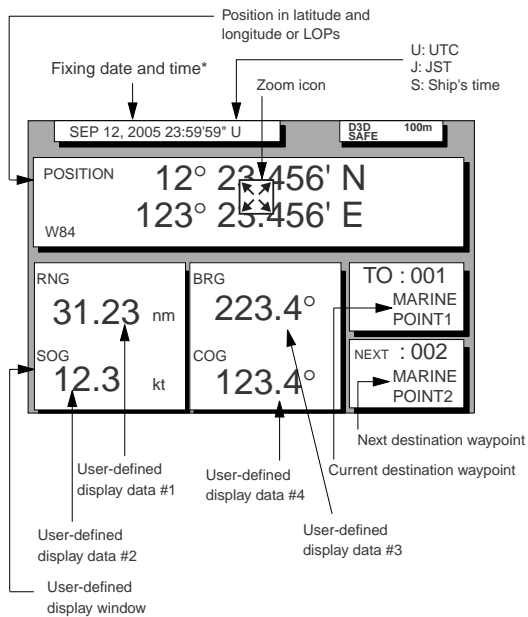


Figure 1-11 Data display mode

\*: "--" appears until position is found. If fixing error occurs the time indication freezes.

## 1.5 Transmitting Data

The GPS navigators share the data listed below when transmitting data to each other. Any action initiated against those data is automatically repeated on the other navigator. For example, if you register waypoint 27 on one navigator it will be registered on the other navigator under the same waypoint number.

- Alarm settings, alarm buzzer
- Destination data
- Disabled satellite data
- Error messages
- MOB/Event mark data
- Route data
- Waypoint data

**Note:** This operation is necessary after receiving waypoint data through the DATA 4 port (Page 10-14).

## Transmitting data

To mutually transmit data, do the following:

- 1) Press the **MENU ESC** key to display the **MAIN** menu.

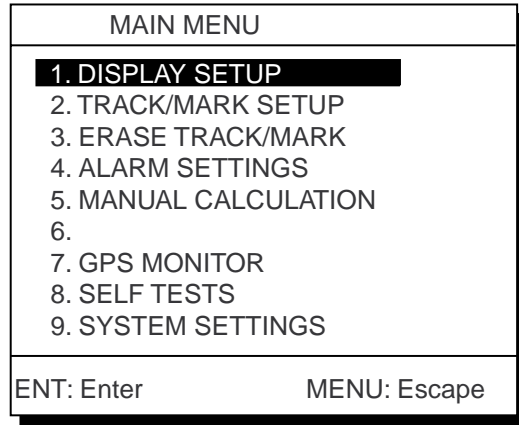


Figure 1-12 MAIN menu

- 2) Press the **9** key to display the **SYSTEM SETTINGS** menu.

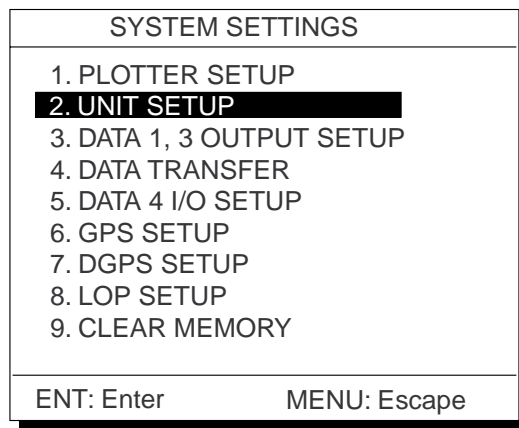


Figure 1-13 SYSTEM SETTINGS menu

- 3) Press the **4** key to select **DATA TRANSFER**.

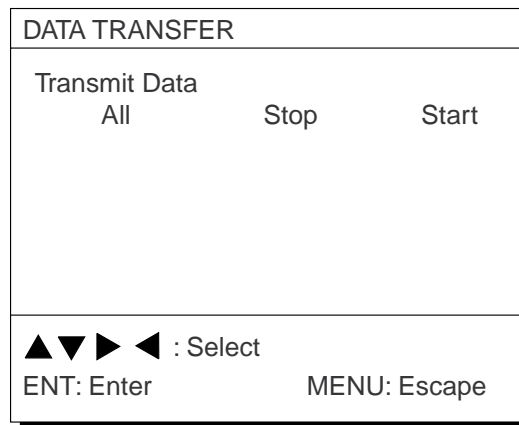


Figure 1-14 DATA TRANSFER menu



- 4) Press **▶** to select All and press the **NU/CU ENT** key. The following message appears. Press the **NU/CU ENT** key to transmit, or **MENU ESC** to escape.

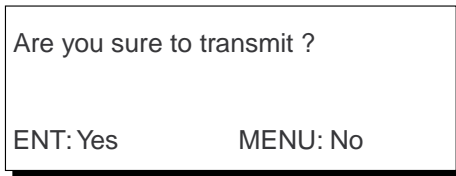


Figure 1-15

The following message appears while data is being transmitted.

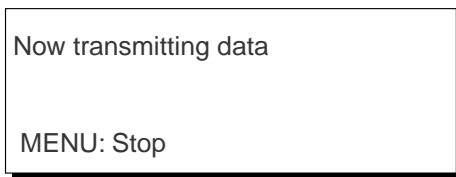


Figure 1-16

- 5) To stop transmitting data, press the **MENU ESC** key. The following display appears.

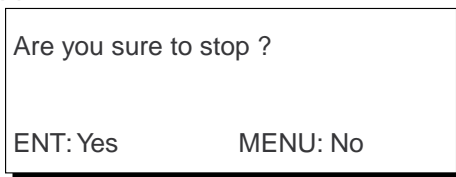


Figure 1-17

Press the **NU/CU ENT** key to stop. In this case, data is partially transmitted to the other GPS navigator. You should follow "Transmitting data" in this paragraph to transmit data again.

- 6) The following message appears when data was transmitted successfully.

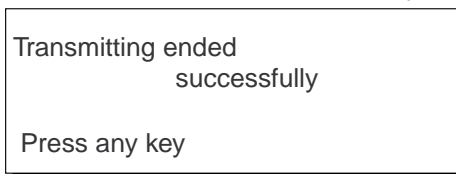


Figure 1-18

- 7) Press any key to escape.

- 8) If transmission failed, transmission is stopped and the following message appears.

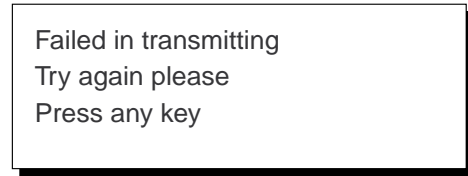


Figure 1-19

- 9) Press any key to return to the **DATA TRANSFER** menu and select Stop. Since data will be not the same on both GPS navigator, repeat this procedure from step 4 until data is successfully transmitted.

### Transmission failure during operation

Data is transmitted only once. When transmission error occurs, the following message appears.

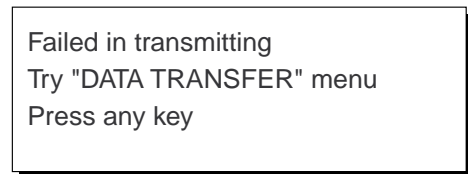


Figure 1-20

Press any key to erase the message. Follow "Transmitting data" in this paragraph to transmit data again.

### 1.6 The Interface Unit

The Interface Unit IF-2500 outputs data received from the navigators to external equipment. Operational status is shown by the LEDs on the unit. For further details, see the chapter on installation. For how to select data to output, see paragraph 8.4 Outputting Data.

#### Output data conventions

Since both navigators output data to the IF-2500 (through two ports on the interface) confusion would reign if it were to try to output two sets of mostly identical data. Therefore, data output is governed by the following rules:

- When both navigators are outputting data correctly, data received at the port having higher priority is output.
- When the GPS abnormal receive signal is received at the port having higher priority, data received from the other port is output.
- 30 seconds after data received at the port having higher priority becomes normal, the interface unit resumes outputting data received from that port.
- When data from both navigators is in error, data received at the port having higher priority is output.
- Arrival alarm signal or cross track error alarm is converted to a contact signal and output when received at the port having higher priority.
- When no data is received from one or both navigators, a contact signal is output.

# 2. DISPLAY AND TRACK

## 2.1 Enlarging/Shrinking the Display

You may enlarge/shrink the display on the Plotter 1, Plotter 2 and Highway displays, with the **ZOOM IN** and **ZOOM OUT** keys. The horizontal range is available among 0.25, 0.5, 1, 2, 4, 8, 16, 32, 64, 128 and 192 nautical miles (Plotter 2 and Highway displays). For the Plotter 1 display the ranges are 0.36, 0.71, 1.42, 2.84, 5.69, 11.38, 22.76, 45.51, 91.02, 182.04 and 273.07 nautical miles.

The **ZOOM IN** key enlarges the display and the **ZOOM OUT** key shrinks it. Each time a zoom key is pressed the horizontal range appears at the center of the display for about one second.

## 2.2 Display Orientation

Display orientation can be selected on the Plotter 1 and Plotter 2 displays, with the **NU/CU ENT** key. Two display orientations are available: north-up and course-up.

### North-up display

In the north-up display, true north (0°) is at the top of the display. Own ship moves on the display in accordance with true speed and true motion. Land is stationary.

### Course-up display

#### Destination set

Ship's course is upward on the screen at the moment the course-up mode is selected and the north mark (▲) appears at the left side of the display.

#### Destination not set

Ship's heading or course is at the top of the display. The north mark appears at the left side of the display.

## 2.3 The Cursor

The cursor (+) functions to select location for a mark; erase marks; measure range and bearing, etc.

### Data and cursor state

Cursor state determines what data are shown on the display.

#### Cursor turned on, cursor data

Cursor position is displayed in latitude and longitude or LOPs (depending on menu setting) at the top of the display. The range and bearing from own ship to the cursor appear at the right hand side of the display, when in the Plotter 1 display.

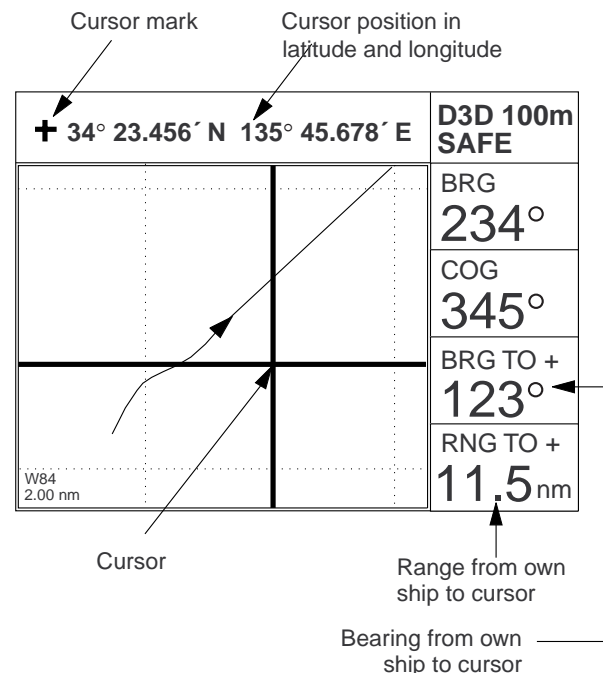


Figure 2-1 Data displayed when the cursor is on

## 2. DISPLAY AND TRACK

### Cursor turned off

Ship's position (in latitude and longitude or LOPs), speed and course appear on the display.

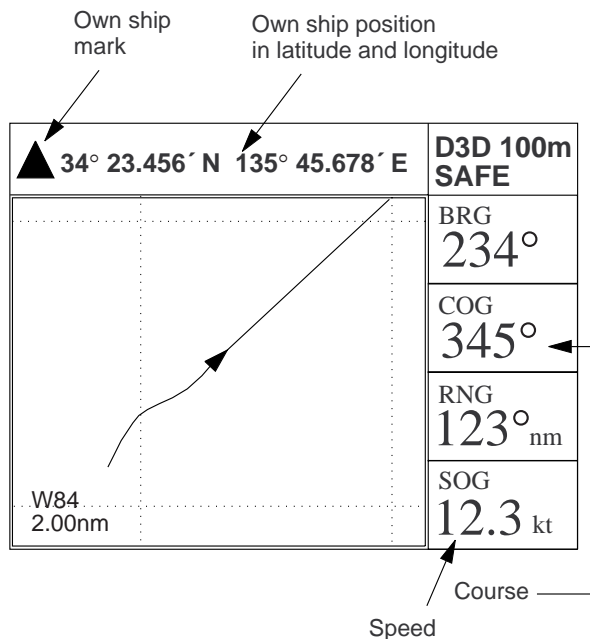


Figure 2-2 Data displayed when the cursor is turned off

### Shifting the cursor

- 1) Press the **CURSOR ON/OFF** key to turn on the cursor.
- 2) Press the cursor pad to shift the cursor. The cursor moves in the direction of the arrow pressed. When the cursor reaches the edge of the display, the display shifts in the direction opposite of the arrow pressed.

### Centering the cursor

Press the **CENTER** key.

## 2.4 Shifting the Display

The display can be shifted on the Plotter 1 and Plotter 2 displays, with the **CURSOR ON/OFF** key. When own ship tracks off the display it is automatically returned to the screen center.

- 1) Press the **CURSOR ON/OFF** key to turn off the cursor.
- 2) Press the cursor pad continuously. The display shifts in the direction of the arrow pressed.

## 2.5 Centering Own Ship's Position

- 1) Press the **CURSOR ON/OFF** key to turn off the cursor.
- 2) Press the **CENTER** key.

**Note:** When own ship's position reaches an edge of the screen, the display moves to set own ship's position center of the display.

## 2.6 Stopping/Starting Plotting and Recording of Track

The GP-150-DUAL stores 2,000 points of track and marks. When the memory becomes full the oldest track is erased to make room for the latest.

### Procedure

Press the **PLOT ON/OFF** key to start/stop recording and plotting of track.

### When plotting is resumed

"Resuming track plot" appears at the center of the display for about three seconds.

**When plotting is stopped**

"Stopping track plot" appears at the center of the display for about three seconds and "[H]" appears at the left side of the display. ("H" does not appear on the Navigation and Data displays.)

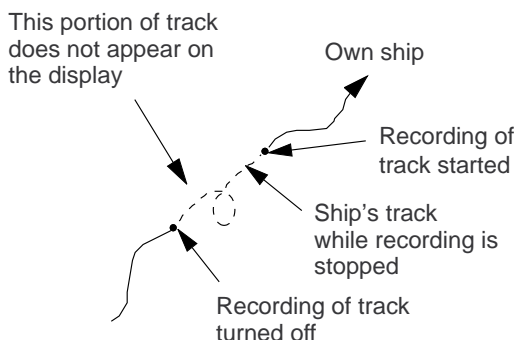
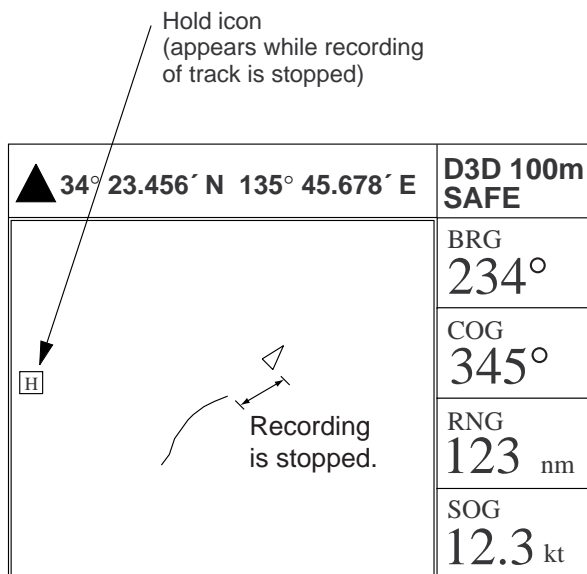


Figure 2-3 Track not plotted or recorded when plotting is stopped

**2.7 Erasing Track**

The track stored in the memory and displayed on the screen can be erased.

**Note:** Track cannot be restored once erased. Be absolutely sure you want to erase track.

- 1) Press the **MENU ESC** key to show the MAIN MENU.

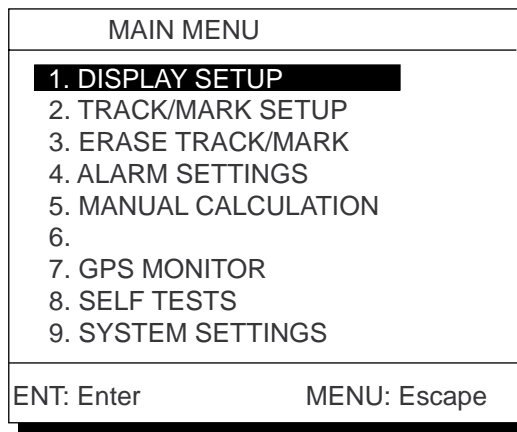


Figure 2-4 MAIN menu

- 2) Press **3** to select ERASE TRACK/MARK.

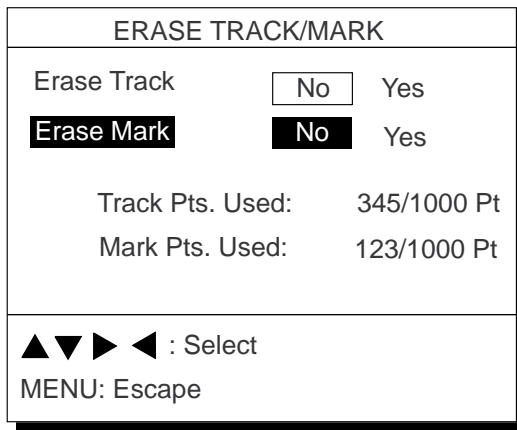


Figure 2-5 ERASE TRACK/MARK menu

- 3) Press **▲** to select Erase Track.
- 4) Press **▶** to select Yes. The message shown in Figure 2-6 appears.

## 2. DISPLAY AND TRACK

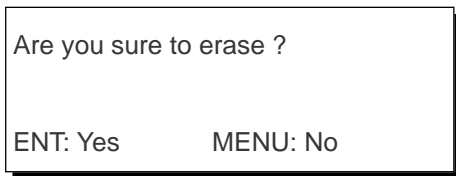


Figure 2-6 Prompt for erasure of track

- 5) Press the **NU/CU ENT** key.

## 2.8 Track Plotting Interval

The plotting interval determines both how the track will be reconstructed on the display and track storage time. A shorter interval provides more accurate reconstruction of track line, however total storage time is reduced. The plotting interval can be selected by time or distance. Plotting by distance offers the advantage that the track is not stored when the vessel is anchored.

### Plotting interval by time

The setting range for plotting by time is 00 to 60 minutes.

- 1) Press the **MENU ESC** key.
- 2) Press **2** to display the TRACK/MARK SETUP menu.

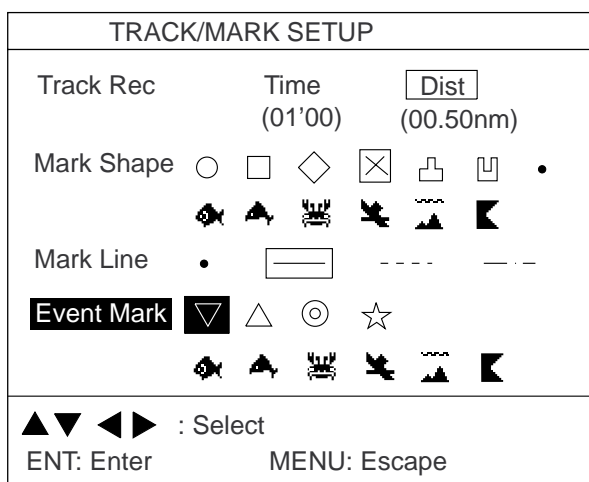


Figure 2-7 TRACK/MARK SETUP menu

- 3) Press **▲** to select Track Rec.
- 4) Press **◀** to select Time.
- 5) Enter plotting interval in four digits. To enter 30 seconds, for example, press **0, 0, 3, 0**.
- 6) Press the **NU/CU ENT** key.
- 7) Press the **MENU ESC** key.

### Plotting interval by distance

The setting range for plotting by distance is 0.01 to 99.99 nautical miles. To plot all track, enter 00.00.

- 1) Press the **MENU ESC** key.
- 2) Press **2** to display the TRACK/MARK SETUP menu.
- 3) Press **▲** to select Track Rec.
- 4) Press **▶** to select Distance.
- 5) Enter plotting interval. To enter 0.1 nautical miles, for example, press **0, 0, 1**.
- 6) Press the **NU/CU ENT** key.
- 7) Press the **MENU ESC** key.

## 2.9 Apportioning the Memory

The memory holds 2,000 points of track and marks and may be apportioned as you like. The default memory setting stores 1,000 points each of track and marks.

**Note:** All data are erased when the memory apportion setting is changed, even when the previous value is reentered.

To store 1,500 points of track and 500 marks, for example, do the following:

- 1) Press the **MENU ESC** key.
- 2) Press **9** to display the SYSTEM SETTINGS menu.

SYSTEM SETTINGS	
1. PLOTTER SETUP	
<b>2. UNIT SETUP</b>	
3. DATA 1, 3 OUTPUT SETUP	
4. DATA TRANSFER	
5. DATA 4 I/O SETUP	
6. GPS SETUP	
7. DGPS SETUP	
8. LOP SETUP	
9. CLEAR MEMORY	
ENT: Enter      MENU: Escape	

Figure 2-8 SYSTEM SETTINGS menu

- 3) Press **1** to display the PLOTTER SETUP menu.

PLOTTER SETUP		
Memory Apportion	Trk = 1000 / 2000Pt	
<b>Bearing Ref.</b>	<b>True</b>	Mag
Mag Variation	Auto	Man
	(07° W)	(00° E)
Calculation	R.L	G.C
User defined #1	◀ RNG ▶	
#2	◀ SOG ▶	
#3	◀ BRG ▶	
#4	◀ COG ▶	
ENT: Enter      MENU: Escape		

Figure 2-9 PLOTTER SETUP menu

- 4) Press **▲** to select Memory Apportion.
- 5) Enter amount of track to store, in four digits. To store 1,500 track points, for example, press **1, 5, 0, 0**.
- 6) Press the **NU/CU ENT** key, or **▲** or **▼**. You are asked if it is all right to erase all data.

Setting erases all data!	
Are you sure to change ?	
ENT: Yes	MENU: No

Figure 2-10

- 7) Press the **NU/CU ENT** key.
- 8) Press the **MENU ESC** key.

**Note:** Two display units in a system should be set the same points for memory setting store to share waypoints data.

## 2.10 Bearing Reference

Ship's course and bearing to waypoint may be displayed in true or magnetic bearing. Magnetic bearing is true bearing plus (or minus) earth's magnetic deviation.


### True or magnetic bearing

The default setting displays true bearings.

- 1) Press the **MENU ESC** key.
- 2) Press **9** to display the SYSTEM SETTINGS menu.
- 3) Press **1** to display the PLOTTER SETUP menu.
- 4) Press **▲** or **▼** to select Bearing Ref.
- 5) Press **◀** or **▶** to select True or Mag.
- 6) Press the **NU/CU ENT** key.
- 7) Press the **MENU ESC** key.

### Magnetic variation

The location of the magnetic north pole is different from the geographical north pole. This causes a difference between the true and magnetic north direction. This difference is called magnetic variation, and varies with respect to the observation point on the earth. Magnetic variation may be entered automatically or manually.

- 1) Press the **MENU ESC** key.
- 2) Press **9** to display the SYSTEM SETTINGS menu.
- 3) Press **1** to display the PLOTTER SETUP menu.
- 4) Press **▲** or **▼** to select Mag Variation.
- 5) Press **◀** or **▶** to select Auto or Man. For automatic, current variation appears in parentheses.
- 6) **For manual entry**, enter variation in two digits, referring to a nautical chart (00-99°). If the variation is 10°, for example, press **1, 0**.
- 7) If necessary, press the  key to change coordinate from east to west or vice versa.
- 8) Press the **NU/CU ENT** key.
- 9) Press the **MENU ESC** key.



# 3. MARKS

## 3.1 Entering Marks

Marks can be inscribed on the Plotter 1 and Plotter 2 displays, in one of 12 mark shapes. Further, marks can be connected with lines.

**Note:** When the mark memory becomes full no marks can be entered. When this occurs, the buzzer sounds and the message shown below appears on the display for three seconds. To enter a mark when the mark memory is full, erase unnecessary marks.

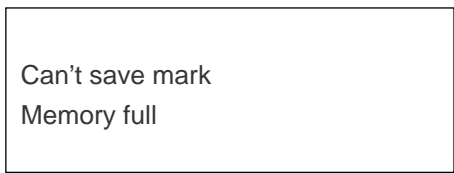


Figure 3-1

### Entering marks

#### At own ship position

- 1) Press the **CURSOR ON/OFF** key to turn off the cursor.
- 2) Press the **MARK** key.

#### At cursor intersection

- 1) Press the **CURSOR ON/OFF** key to turn on the cursor.
- 2) Operate the cursor pad to place the cursor on the location for the mark. Select the mark shape you want, referring to paragraph 3.3.
- 3) Press the **MARK** key.

## 3.2 Erasing Marks

### CAUTION

All marks, including event marks and the MOB mark, are erased on the ERASE MARK menu. Be absolutely sure you want to erase all marks; erased marks cannot be restored.

#### Erasing individual marks

- 1) Place the cursor on the mark to erase.
- 2) Press the **CLEAR** key.

#### Erasing all marks

- 1) Press **MENU ESC** and **3** to display the ERASE TRACK/MARK menu.

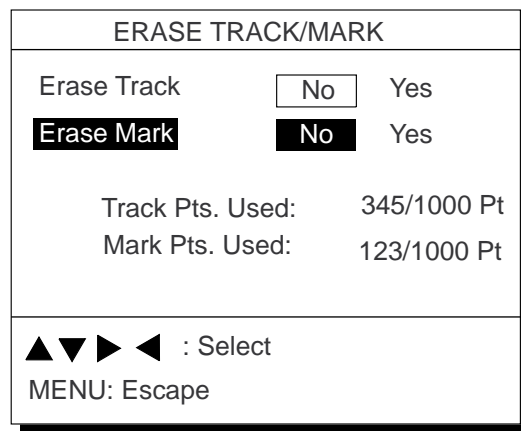


Figure 3-2 ERASE TRACK/MARK menu

- 2) Press ▼ to select Erase Mark.
- 3) Press ▶ to select YES.

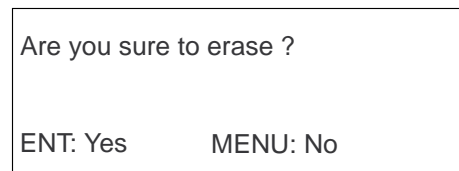


Figure 3-3

- 4) Press the **NU/CU ENT** key.
- 5) Press the **MENU ESC** key.

### 3.3 Mark Shape

13 mark shapes are available. Select mark shape as follows:

- 1) Press **MENU ESC** and **2** to display the TRACK/MARK SETUP menu.

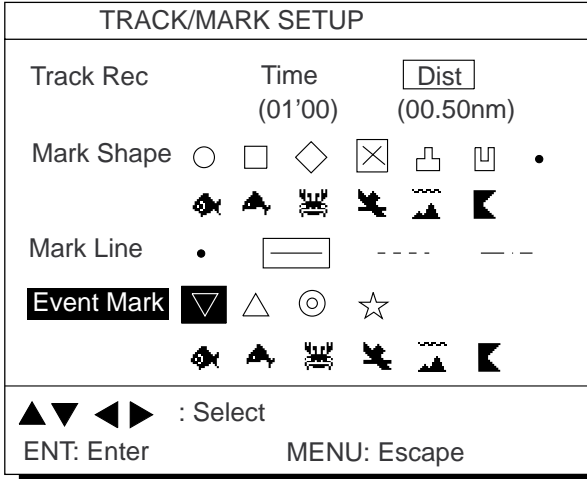


Figure 3-4 TRACK/MARK SETUP menu

- 2) Press ▲ or ▼ to select Mark Shape.
- 3) Press ◀ or ▶ to select mark shape desired.
- 4) Press the **NU/CU ENT** key.
- 5) Press the **MENU ESC** key.

The next mark entered will be inscribed in the shape selected here.

### 3.4 Connecting Marks

Marks can be connected with lines. Three types of connection lines are available and the "." setting disables connection of lines.

- 1) Press **MENU ESC** and **2**.
- 2) Press ▲ or ▼ to select Mark Line.
- 3) Press ◀ or ▶ to select other than ".".
- 4) Press the **NU/CU ENT** key.
- 5) Press the **MENU ESC** key.

### 3.5 Entering Event Marks

Event marks can denote any important present position. 99 event marks can be saved, and the unit automatically numbers them from 01 to 99.

Event marks are mutually entered when the navigators are sharing data.

**Note 1:** When the mark memory becomes full no event marks can be entered. When this occurs, the buzzer sounds and the message shown below appears on the display for three seconds to alert you. To enter an event mark when the mark memory is full, erase unnecessary event marks.

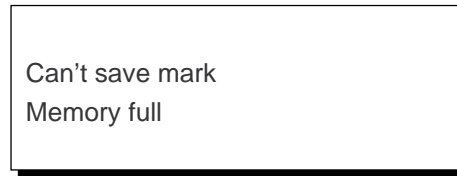


Figure 3-5

**Note 2:** Event marks cannot be entered when there is no position data. When this occurs, the buzzer sounds and the message shown below appears on the display for three seconds to alert you. Check that the antenna cable is tightly connected.

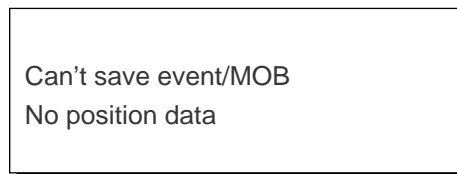


Figure 3-6

To enter an event mark;

- 1) Press the **EVENT MOB** key less than three seconds. The position at the exact moment the key is pressed is saved as an event position.

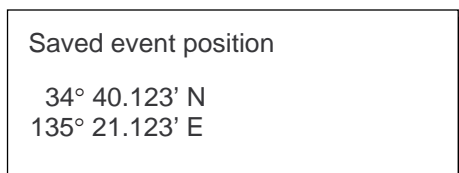


Figure 3-7

To erase event marks, see "3.2 Erasing Marks".

### 3.6 Event Mark Shape

Event marks are available in 10 shapes.

Event mark shape is mutually changed when the navigators are sharing data.

Select event mark shape as follows.

- 1) Press **MENU ESC** and **2** to display the TRACK/MARK SETUP menu.
- 2) Press **▼** to select Event Mark.
- 3) Press **◀** or **▶** to select event mark shape desired.
- 4) Press the **NU/CU ENT** key.
- 5) Press the **MENU ESC** key.

The next event mark entered will be inscribed in the shape selected here.

### 3.7 Entering the MOB Mark

The MOB mark denotes man overboard position. To mark man overboard position, press the **EVENT MOB** key for more than three seconds. When the key is pressed, the position at the exact moment the key is pressed automatically becomes the destination. Further, the plotter display replaces the display in use when it is other than a plotter display.

Only one MOB mark may be entered. Each time the MOB mark is entered the previous MOB mark and its position data are written over. The MOB mark is mutually entered

when the navigators are sharing data.

**Note:** The MOB mark cannot be entered when there is no position data. When this occurs, the buzzer sounds and the message shown below appears on the display for three seconds to alert you. Check that the antenna cable is tightly connected.

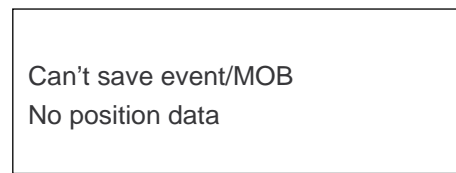


Figure 3-8

- 1) Press the **EVENT MOB** key for at least three seconds.

The MOB mark ("M") is entered at the MOB position and the message shown in Figure 3-9 appears.

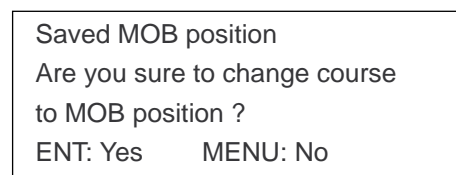


Figure 3-9

- 2) Press the **NU/CU ENT** key. If the display in use is Highway, Navigation or Data, they are automatically replaced by the plotter display.

**Note:** You may cancel MOB position as destination by pressing the **MENU ESC** key instead of the **NU/CU ENT** key at step 2. Note that the MOB mark remains on the display.

#### Erasing the MOB mark

See "3.2 Erasing Marks". (MOB mark cannot be erased with the cursor.) The MOB mark is mutually erased when the navigators are sharing data.

3. MARKS

This page is intentionally left blank.

# 4. NAVIGATION PLANNING

## 4.1 Entering Waypoints

In navigation terminology a waypoint is a particular location on a voyage whether it be a starting, intermediate or destination waypoint.

The GP-150-DUAL can store 999 waypoints, numbered from 001-999. Waypoints can be registered four ways:

- by cursor
- by MOB position or event position
- at own ship's position, and
- through the waypoint list.

Waypoints are mutually entered when the navigators are sharing data.

### Entering waypoints by the cursor

- 1) Press the **WPT RTE** key to show the Waypoint/Route menu.

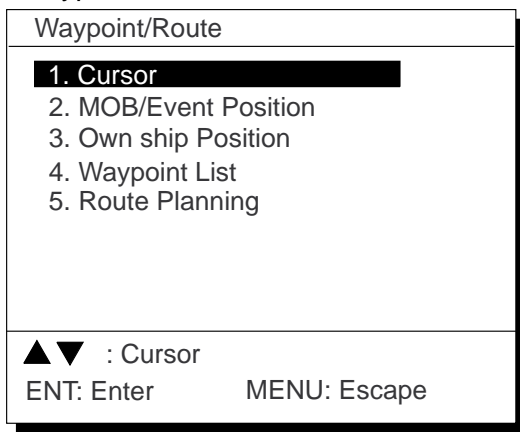


Figure 4-1 Waypoint/Route menu

- 2) Press **1** to select Cursor. The following display appears.



Figure 4-2

The display changes to Plotter 2 when the Highway, Navigation or Data mode is in use.

- 3) Use the cursor pad to place the cursor on the location desired for the waypoint.
- 4) Press the **NU/CU ENT** key.

A window similar to the one shown in Figure 4-3 appears. The waypoint's position and date and time registered appear on the first and second lines. Waypoints are automatically given the youngest empty waypoint number and this number appears on the third line. You may, however, assign a different number. If the waypoint shares the same position with a mark, the mark's position and date and time entered are registered as waypoint data.

If the waypoint memory is full, the waypoint number line in the window is blank. In this case waypoints cannot be entered unless a waypoint is written over or erased.

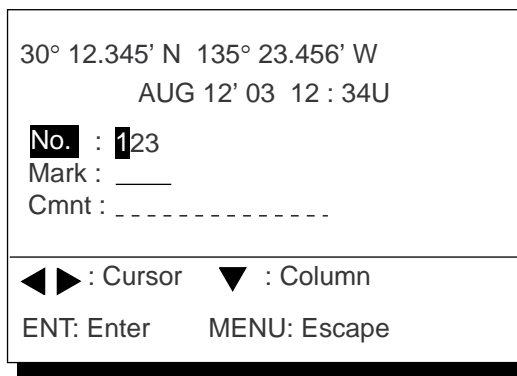


Figure 4-3

The remaining steps show how to change waypoint number, choose mark shape and enter a comment. If you do not need to change these items, press the **NU/CU ENT** to register the waypoint under the number shown and the current waypoint mark shape. You may also choose the waypoint item to change by pressing **▲** or **▼** and following the appropriate step in this procedure.

- 5) Enter waypoint number, in three digits (001-999).

#### 4. NAVIGATION PLANNING

- 6) Press ▼ to select waypoint mark shape.  
The following display appears.



Figure 4-4 Screen for selecting  
waypoint mark shape

- 7) Press ◀ or ▶ to select mark shape.  
8) Press the **NU/CU ENT** key. The display shown in Figure 4-5 appears.

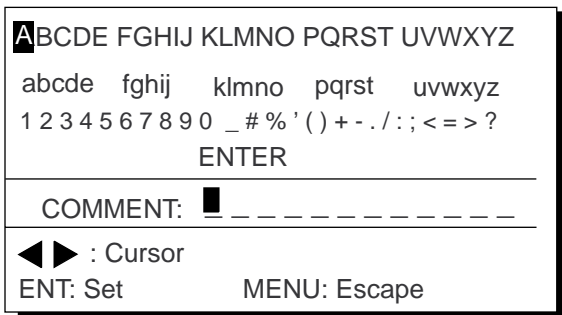


Figure 4-5 Screen for entry  
of comment for waypoint

- 9) You may enter a comment, using up to 12 alphanumeric characters.
- ① Press the cursor pad to select alphanumeric character.
  - ② Press the **NU/CU ENT** key. Selected character appears on the COMMENT line.
    - To create a space, select "\_".
    - Numeric data can be input directly by pressing numeric keys.
    - To clear wrong data, press the **CLEAR** key.
  - ③ Repeat steps ① and ② to complete the comment.
  - ④ Select ENTER and press the **NU/CU ENT** key.

- 10) Press the **NU/CU ENT** key.

Control is returned to the last-used display mode.

When the waypoint number entered at step 5 already exists, the message shown in Figure 4-4 appears if the waypoint is part of the current destination or route or is part of a route. If you want to write over the waypoint and its data, press the **NU/CU ENT** key. To change waypoint number, press the **MENU ESC** key.

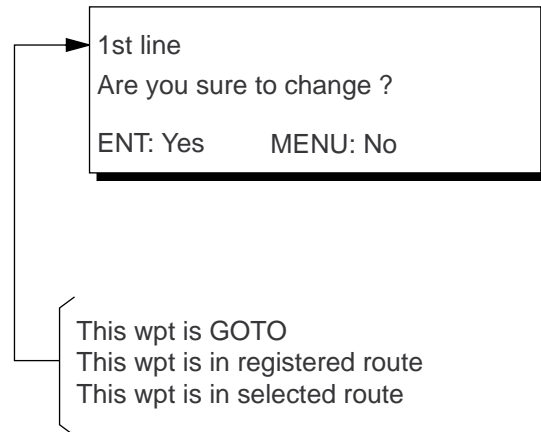


Figure 4-6

**Note:** If you fail to enter waypoint number, "Enter waypoint number" appears on the display for three seconds.

### Entering waypoints by MOB position/event position

The MOB position or an event position can be registered as a waypoint. Event marks are numbered from 01 to 99; 01 is the latest event mark.

**Note:** You cannot register a MOB position or event position when there are no MOB positions or event positions saved. The buzzer sounds and the message shown in Figure 4-7 appears for three seconds to alert you.

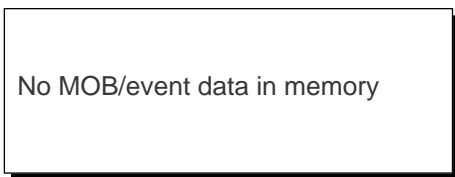


Figure 4-7

- 1) Press the **WPT/RTE** key.
- 2) Press **2** to select MOB/Event Position. The display shown in Figure 4-8 appears.

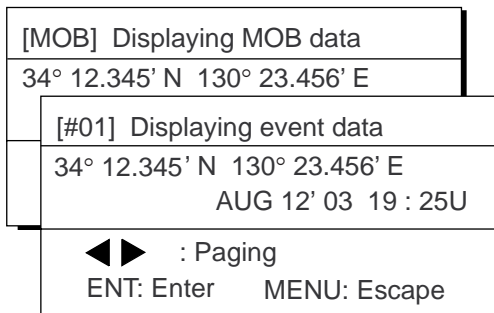


Figure 4-8

- 3) Press **◀** or **▶** to display the MOB position or event position to register as a waypoint.
- 4) Press the **NU/CU ENT** key.
- 5) Follow steps 5 through 11 in "Entering waypoints by the cursor" on page 4-1.

### Entering waypoints at own ship's position

**Note:** When there is no position data, you cannot register a waypoint at own ship's position. The buzzer sounds and the following message appears.

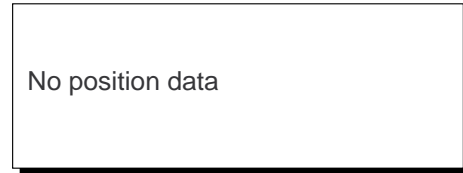


Figure 4-9

- 1) Press the **WPT/RTE** key.
- 2) Press **3** to select Own Ship Position.
- 3) Follow steps 5 through 11 in "Entering waypoints by the cursor" on page 4-1.

### Entering waypoints through the waypoint list

- 1) Press the **WPT/RTE** key.
- 2) Press **4** to display the waypoint list.
- 3) Press **↻** to select position format; latitude and longitude or LOP.

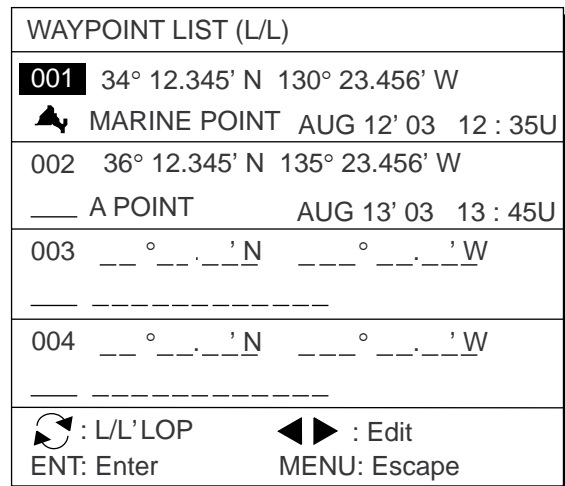


Figure 4-10

- 4) Press **▲** or **▼** to select waypoint number.
- 5) Press **◀** or **▶** to enter position. The display should now look something like Figure 4-11.

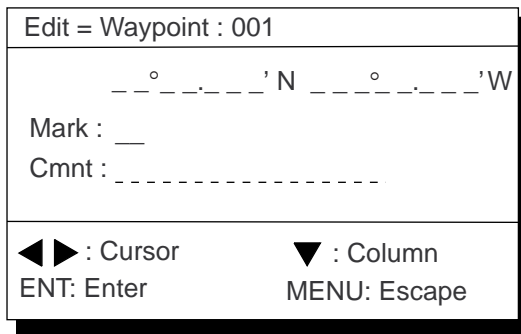


Figure 4-11

- 6) Enter latitude and longitude. To enter 34°12.345' N 135°23.456' E, for example, press;
  - ↻, 3, 4, 1, 2, 3, 4, 5
  - ↻, 1, 3, 5, 2, 3, 4, 5, 6
 To change N to S or E to W, press ↻.
- 7) Press ▼.
- 8) Press ◀ or ▶ to select mark.
- 9) Press the **NU/CU ENT** key.
- 10) Enter comment.
- 11) Press the **NU/CU ENT** key twice.
 

The waypoint list reappears. Waypoint position and date and time the waypoint was entered appear on the list.
- 12) To enter another waypoint through the waypoint list, repeat steps 4-11.
- 13) Press the **MENU ESC** key to finish.

## 4.2 Editing Waypoints

Waypoints are mutually edited when the navigators are sharing data.

- 1) Press **WPT RTE** and **4**.
- 2) Press ▲ or ▼ to select waypoint to edit.
- 3) Press ▶.
- 4) Edit the contents of the waypoint.
- 5) Press the **NU/CU ENT** key. The message shown in Figure 4-12 appears if the waypoint is currently selected as destination, is part of a route, or is in the route currently selected as destination.

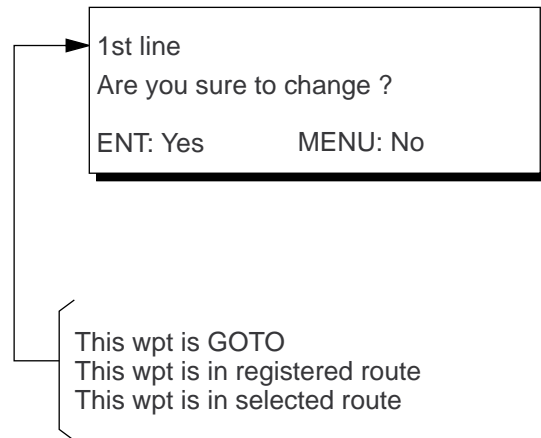


Figure 4-12

- 6) Press the **NU/CU ENT** key.
 

Enter new data, referring to "4.1 Entering Waypoints".
- 7) Press the **MENU ESC** key.

## 4.3 Erasing Waypoints

Waypoints are mutually erased when the navigators are sharing data.

### Erasing waypoints by the cursor

- 1) Place the cursor on the waypoint to erase.
- 2) Press the **CLEAR** key.



### Erasing waypoints through the waypoint list

- 1) Press **WPT RTE** and **4**.
- 2) Press **▲** or **▼** to select waypoint to erase.
- 3) Press the **CLEAR** key. The message shown in Figure 4-13 appears if the waypoint is currently selected as destination, is part of a route, or is in the route currently selected as destination.

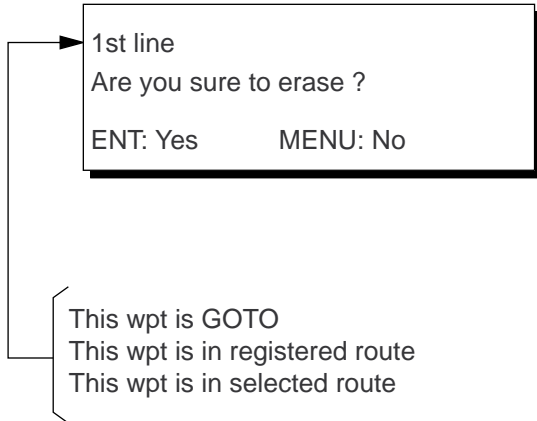


Figure 4-13

**Note:** All waypoint marks (as well as all other marks) and their data can be erased collectively by clearing the Plotter memory. For further details, see page 9-1.

- 4) Press the **NU/CU ENT** key.
 

**Note:** To cancel erasure, press the **MENU ESC** key instead of the **NU/CU ENT** key. The waypoint list appears.
- 5) Press the **MENU ESC** key.

## 4.4 Entering Routes

Often a trip from one place to another involves several course changes, requiring a series of route points which you navigate to, one after another. The sequence of waypoints leading to the ultimate destination is called a route. The GP-150-DUAL can automatically advance to the next waypoint on a route, so you do not have to change the destination waypoint repeatedly.

The GP-150-DUAL can store 30 routes and each route may contain up to 30 waypoints. Routes can be registered while in the Plotter 1 or Plotter 2 display mode. Routes are mutually registered when the navigators are sharing data.

### Entering routes

- 1) Press the **WPT/RTE** key.
- 2) Press **5** to select Route Planning. The route list appears.

ROUTE LIST				
No.	PTS	Total Dist.	TTG	Remarks
01	30	1234 . 56 nm	12D15H28M	UseFwd
02	25	234 . 56 nm	2D08H35M	
03	30	*999. 99 nm	*9D*9H*9M	
04	_	_____ nm	_D_H_M	
05	30	6543 . 21 nm	34D23H45M	
06	_	_____ nm	_D_H_M	

▲▼ : Route No.    ◀▶ : Edit  
 ENT: Enter        MENU: Escape

Remarks  
 Use: In use  
 Fwd: Traverse waypoints in forward order  
 Rvs: Traverse waypoints in reverse order

Figure 4-14 Route list

- 3) Press **▲** or **▼** to select an empty route number.
- 4) Press **▶**.

The route planning/waypoint list window appear as shown in Figure 4-15. The waypoint list window lists the position and data for each registered waypoint. No position or data appears for empty waypoints.

## 4. NAVIGATION PLANNING

ROUTE : 01 (In Use , REVERSE)		
skip Distance TTG		
Trial Speed : [Auto] Man (012.0kt)		
01	EN	-----nm --D--M--H
02	EN	-----nm --D--M--H
001	34° 12.345' N 130° 23.456' E	
▲	MARINE POINT AUG 12' 03 12: 35U	
002	36° 12.345' N 135° 23.456' E	
___	A POINT AUG 13' 03 13 : 45U	
↻ : RTE ↔ WPT CLEAR: Delete		
ENT: Enter MENU: Escape		

Use: In use  
Fwd: Traverse waypoints in forward order  
Rvs: Traverse waypoints in reverse order

Figure 4-15 Route editing screen

- 5) If required, press ▲ to choose Trial Speed to enter the speed by which to calculate time-to-go.
- 6) Press ◀ or ▶ to select Auto or Man.

**Auto:** Current average speed is used to calculate the time-to-go.

**Manual:** Entered speed is used to calculate the time-to-go. Enter speed and press ▼.

Route waypoints may be registered two ways: entering waypoint number directly or through the route editing screen. Follow ① or ② below.

### ① Entering waypoint number directly

- 7) Enter waypoint number, in three digits. The cursor shifts to the "Skip" window. The procedure for skipping a waypoint is shown on page 5-4. For now, go to the next step.
- 8) Press ▼ to continue. If the waypoint entered in step 7 does not exist, you are informed that the waypoint does not exist and entry is cancelled.
- 9) Enter other route waypoints by repeating steps 7 and 8.
- 10) Press **MENU ESC** to finish.

### ② Using previously registered waypoints

Enter waypoints in the order they will be traversed; not by waypoint number order.

- 7) Press ↻. The reverse video on the waypoint on route planning screen disappears.
- 8) Press ▲ or ▼ to select waypoint number.
- 9) Press the **NU/CU ENT** key. Selected waypoint number appears on the route editing screen. The distance and time-to-go indications to the first waypoint entered are blank.
- 10) To enter other route waypoints, repeat steps 8 and 9.
- 11) Press the **MENU ESC** key to finish.

**Note:** To return to the route editing screen, press ↻.

## 4.5 Erasing Route Waypoints

Route waypoints are mutually erased when the navigators are sharing data.

- 1) Press **WPT RTE** and **5** to display the route list.
- 2) Press ▲ or ▼ to select route.
- 3) Press ▶ to display route editing screen.
- 4) Select the waypoint to erase.
- 5) Press the **CLEAR** key.
- 6) Press the **NU/CU ENT** key.
- 7) Repeat steps 2 through 4 to continue erasing waypoints.
- 8) Press the **MENU ESC** key. The route is rearranged to reflect the change.

## 4.6 Replacing Route Waypoints

Route waypoints are mutually replaced when the navigators are sharing data.

- 1) Press **WPT RTE** and **5** to display the route list.
- 2) Press **▲** or **▼** to select route.
- 3) Press **▶** to display route editing screen.
- 4) On the route editing screen, place the cursor on waypoint number to replace.
- 5) Enter new waypoint number.
- 6) Press the **NU/CU ENT** key. The message shown in Figure 4-16 appears.

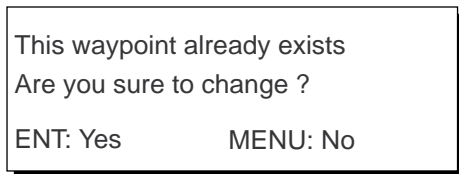


Figure 4-16

**Note:** When the waypoint number entered at step 5 is not registered, the message “This waypoint not registered. Copy original data to this No.?” appears. Press **NU/CU ENT** key to copy the position data.

- 7) Press the **NU/CU ENT** key.
- 8) Press the **MENU ESC** key twice.

## 4.7 Erasing Routes

Routes are mutually erased when the navigators are sharing data.

- 1) Press **WPT RTE** and **5** to display the route list.
- 2) Press **▲** or **▼** to select route to erase.
- 3) Press the **CLEAR** key. The display shown in Figure 4-17 appears if the route is in use.

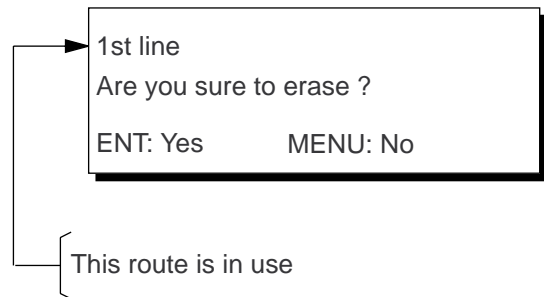


Figure 4-17

- 4) Press the **NU/CU ENT** key.
- 5) Press the **MENU ESC** key.

#### 4. NAVIGATION PLANNING

This page is intentionally left blank.

# 5. SETTING DESTINATION

## 5.1 Setting Destination

There are four ways by which you can set destination:

- By cursor
- By MOB position or event position
- By waypoint, and
- By route.

The same destination is set on both navigators when they are sharing data.

**Note:** Previous destination is cancelled whenever a destination is set.

### Setting destination by cursor

Using the cursor you may set a destination consisting of 30 points. When all 30 points are entered, the GP-150-DUAL automatically disables further entry.

### Setting single destination

- 1) Press the **GOTO** key. The menu shown in Figure 5-2 appears.

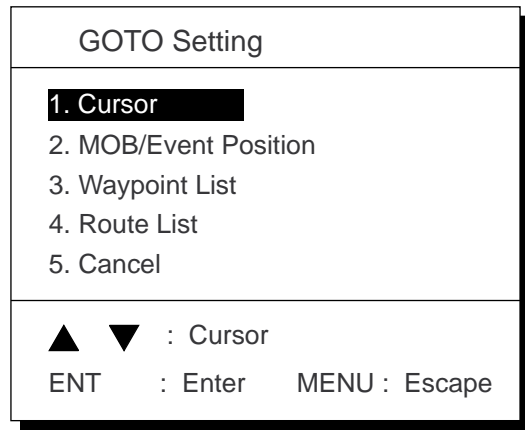


Figure 5-2 GOTO setting menu

- 2) Press **1** to select Cursor. The display shown in Figure 5-3 appears.

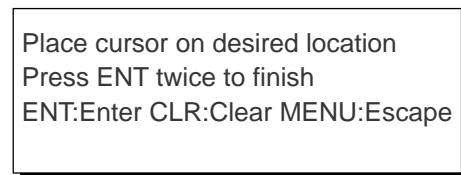


Figure 5-3

If the display in use is other than Plotter 1, the Plotter 2 display is automatically selected.

- 3) Place the cursor on the location desired for destination.
- 4) Press the **NU/CU ENT** key.

**Note:** To clear selection, press the **CLEAR** key.

- 5) Press the **NU/CU ENT** key to finish.

Control is returned to the display mode in use before you set destination. A dashed line connects own ship and the destination, which is marked with a flag, as shown in Figure 5-4.

## 5. SETTING DESTINATION

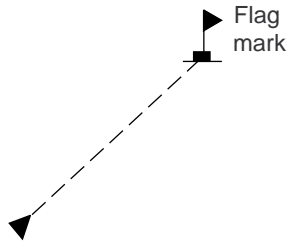


Figure 5-4 Single destination set by cursor

### Setting multiple destinations

- 1) Press **GOTO** and **1**.
- 2) Place the cursor on the location desired for a waypoint.
- 3) Press the **NU/CU ENT** key.
- 4) Repeat steps 2 and 3 to enter other points. Waypoints are connected with a line.
- 5) Press the **NU/CU ENT** key to finish. The route number entry display appears as shown in Figure 5-5. If no route number appears or you want to change the route number shown, go to step 6 to enter route number. To register the route under the number shown, go to step 8.

**Note:** For the simple route, press the **CLEAR** key and then go to step 8. The simple route is not registered in the route list.

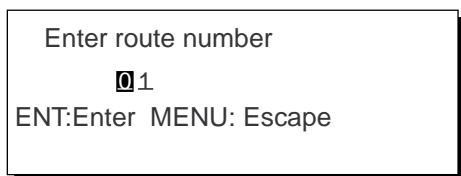


Figure 5-5

- 6) Key in route number.
- 7) Press the **NU/CU ENT** key. Waypoints are marked with flags and are connected with a dashed line.

If the route number entered already exists the message shown in Figure 5-6 appears.

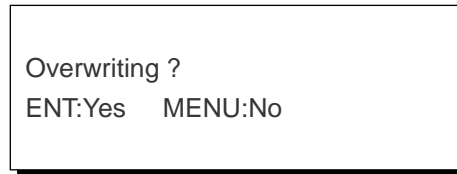


Figure 5-6

- 8) Press the **NU/CU ENT** key.

The waypoints do not have waypoint numbers, however you can attach waypoint numbers by doing the following.

- ① Press **WPT RTE** and **5** to display the route list.
- ② Press **▲** or **▼** to select route number entered.
- ③ Press **▶**.
- ④ Enter waypoint number, in three digits.
- ⑤ Press **▼**. If the waypoint number already exists the message shown in Figure 5-7 appears.

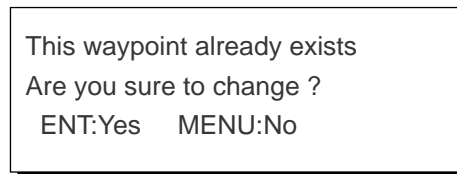


Figure 5-7

- ⑥ Press the **NU/CU ENT** key. The waypoint entered here replaces previously entered waypoint.

**Note:** To cancel replacement of waypoint, press the **MENU ESC** key at step ⑥.

- ⑦ Repeat steps ④ and ⑤ to enter other waypoint numbers.
- ⑧ Press the **MENU ESC** key twice to finish.

When destination is cancelled, dashed lines are erased but flags remain on the screen.

**Setting destination by MOB position or event position**

**Note:** This operation cannot be performed when there is no MOB position or event position. The buzzer sounds and the message shown in Figure 5-8 appears to alert you when there is no MOB position or event position.

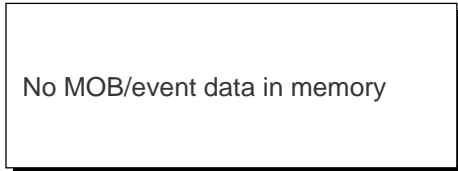


Figure 5-8

- 1) Press the **GOTO** key.
- 2) Press **2** to select MOB/Event Position. The display shown in Figure 5-9 appears.

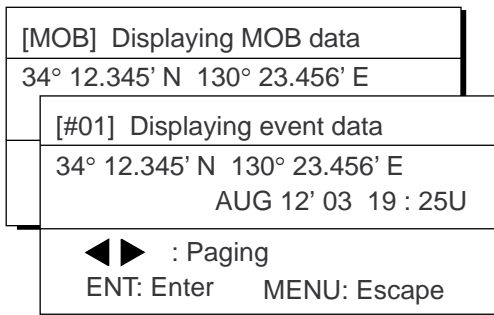


Figure 5-9

- 3) Press **◀** or **▶** to select MOB position or event position. The MOB position appears first. To select event position, press **▶**. If selected position is within the current display range, the cursor marks the position. (The cursor does not appear on the Highway, Navigation and Data displays.)
- 4) Press the **NU/CU ENT** key. A flag appears at position selected if it is within the current display range. A dashed line connects between own ship and MOB position or event position.

When destination is cancelled, dashed lines are erased but flags remain on the screen.

**Setting destination through waypoint list**

**Note:** A waypoint must exist to set it as destination. When a waypoint does not exist, the buzzer sounds and the message shown in Figure 5-10 appears.

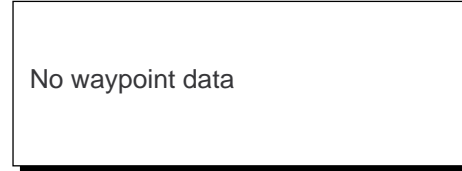
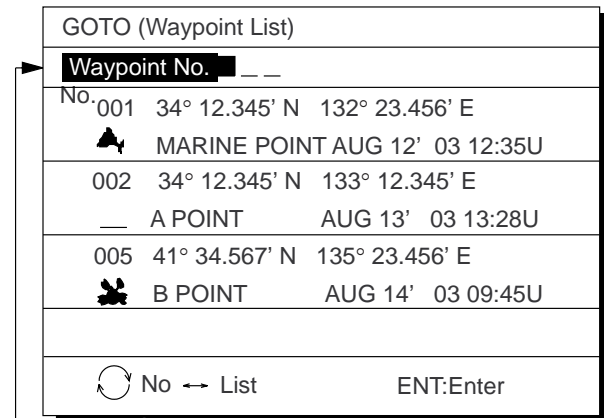


Figure 5-10

Destination waypoint can be set through the waypoint list two ways:

- By entering waypoint number, and
- By selecting waypoint by cursor

- 1) Press the **GOTO** key.
- 2) Press **3** to display the Waypoint List.



Waypoint number can be entered here when this line appears in reverse video.

Figure 5-11 Waypoint list

Set destination by following ① or ② below.

**① Setting destination by waypoint no.**

- 3) Enter waypoint number, in three digits. You can clear entry by pressing the **CLEAR** key.
- 4) Press the **NU/CU ENT** key.

Own ship position becomes starting point and a dashed line runs between it and the waypoint selected.

## 5. SETTING DESTINATION

### ② Setting destination by selecting wpt.

- 3) Press . Each press of the key alternately enables manual entry of waypoint number and selection of waypoint number by cursor (through the waypoint window).
- 4) Press or to select waypoint.
- 5) Press the **NU/CU ENT** key.

Own ship position becomes starting point and a dashed line runs between it and the waypoint selected.

### Setting route as destination

**Note:** Route entered must exist to set it as destination. The buzzer sounds and the message shown in Figure 5-12 appears if you set enter a route which does not exist.

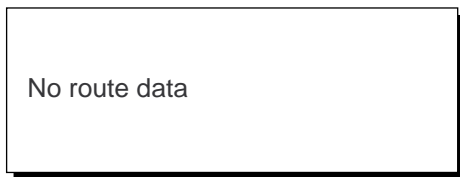


Figure 5-12

A route to set as destination may selected through the route list two ways:

- By entering route number, and
  - By selecting route.
- 1) Press the **GOTO** key.
  - 2) Press **4** to display the Route List. Then, follow ① or ② in the adjacent column.

Route number can be entered here when this line appears in reverse video.

GOTO (Route List) ◀ FORWARD ▶			
Route No. █ _			
No.	PTS	TOTAL	TTG
01	30	1234.56nm	12D15H28M
02	25	234.56nm	2D08H35M
05	8	57.89nm	0D10H28M
06	30	*999.99nm	*9D23H59M
10	30	6543.21nm	34D23H45M
: No. ↔ List ENT:Enter                      MENU:Escape			

Figure 5-13 Route list

### ① By entering route number

- 3) Press or to select direction which to traverse the route waypoints; forward or reverse.
- 4) Enter route number.
- 5) Press the **NU/CU ENT** key.

Current position becomes starting point. A solid line connects between the starting point and first route waypoint and a dashed line connects all other route waypoints.

### ② By selecting a route

- 3) Press . Each press of the key alternately enables manual entry of route number and selection of route number (through the route window)
- 4) Press or to select route.
- 5) Press or to select direction in which to traverse the route waypoints; forward or reverse.
- 6) Press the **NU/CU ENT** key.

Current position becomes starting point. A solid line connects between the starting point and first route waypoint and a dashed line connects all other route waypoints.



### Skipping route waypoints

You may skip route waypoints by displaying "DI" (DIsable) next to the route waypoint in the route list. Using Figure 5-14 as an example, your ship is currently heading toward waypoint 04 but is to switch course and head to waypoint 03. In this case you would want to skip waypoint 04.

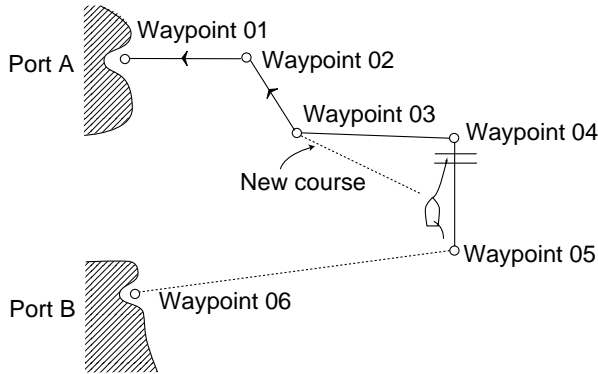


Figure 5-14

- 1) Press **WPT RTE** and **5** to display the route list. Press the cursor keys to select route.

"EN" indicates waypoint is enabled. Display "DI" to skip waypoint.

ROUTE	:01	(In Use, REVERSE)
	skip Distance	TTG
Trial Speed	Auto	Man (012.0kt)
01 004	EN	----- nm --D--H--M
02 003	EN	345.67nm 2D 12H 34M
004	34° 12.345' N	130° 23.456' E
	MARINE POINT	AUG 10' 03 12:35U
003	36° 12.345' N	135° 23.456' E
	A POINT	AUG 10' 03 13:45U
	↻ : RTE ↔ WPT	CLEAR: Delete
	ENT:Enter	MENU:Escape

Figure 5-15 Route list

- 2) Press **▲** or **▼** to select route waypoint to skip.
- 3) Press **◀** or **▶** to shift the cursor to the right of the waypoint number.
- 4) Press **↻** to change "EN"(ENable) to "DI"(DIsable).
- 5) Press the **NU/CU ENT** key.

To reselect the waypoint, select it on the route list and press **↻** to change "DI" to "EN".

Route waypoints are mutually skipped when the navigators are sharing data.

### 5.2 Cancelling Destination

Destination is cancelled at both GPS navigators when they are sharing data.

- 1) Press the **GOTO** key.
- 2) Press **5** to select Cancel. The message shown in Figure 5-16 appears.

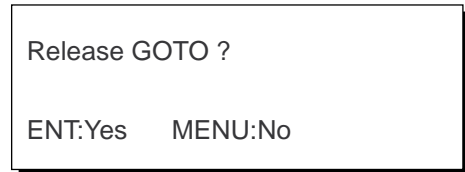


Figure 5-16

- 3) Press the **NU/CU ENT** key.

**Note:** If you are using the simple route, it will be erased when the destination is canceled.

### 5.3 Erasing Route Waypoints (flags)

Flags are erased at both GPS navigators when they are sharing data.

- 1) Place the cursor on the flag to erase.
- 2) Press the **CLEAR** key. The message shown in Figure 5-17 appears if the waypoint is currently selected as destination, is part of a registered route, or is part of the route currently being navigated.

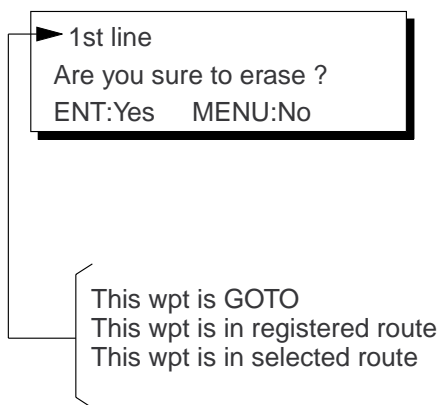


Figure 5-17

- 3) Press the **NU/CU ENT** key.

**Note:** Flags can be erased collectively by clearing the Plotter memory or both the Plotter memory and GPS memory. See page 9-1 for further details.

#### When flags are erased

When the origin waypoint is erased the waypoint before it becomes the origin waypoint. If there is no waypoint before the origin waypoint, current position becomes the origin waypoint.

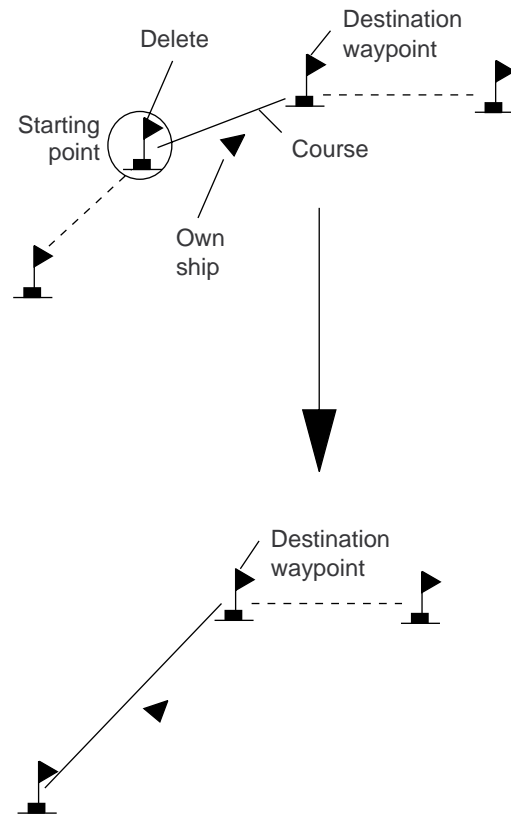


Figure 5-18 Route rearranged after erasing flag

When a destination is erased, the waypoint which follows it becomes the destination. If there is no waypoint after the destination waypoint erased, route navigation is cancelled.

## 5.4 Finding Range and Bearing Between Two Points

### Selecting course sailing method

The range and bearing to a destination can be calculated two ways: Great Circle or Rhumb Line. However, cross track error is calculated in rhumb line only.

**Great Circle:** The great circle course line is the shortest course between two points on the surface of the earth. (Imagine stretching a piece of yarn between two points on the earth.) However, this course requires frequent change of heading to follow course faithfully.

**Rhumb Line:** The rhumb line course line is the straight line drawn between two points on a nautical chart. This course does not require frequent changes of heading however it is not the shortest since it follows the earth's curvature.

- 1) Press **MENU ESC**, **9** and **1** to display the PLOTTER SETUP menu.

PLOTTER SETUP		
Memory Apportion	Trk = 1000 / 2000Pt	
Bearing Ref.	<input type="text" value="True"/>	Mag
Mag Variation	<input type="text" value="Auto"/>	Man
	(07° W)	(00° E)
<b>Calculation</b>	<b>R.L</b>	G.C
User defined #1	◀ SOG ▶	
#2	◀ COG ▶	
#3	◀ RNG ▶	
#4	◀ BRG ▶	
ENT:Enter      MENU:Escape		

Figure 5-20 PLOTTER SETUP menu

- 2) Press ▲ or ▼ to selection Calculation.
- 3) Press ◀ or ▶ to select R.L (Rhumb Line) or G.C (Great Circle).

- 4) Press the **NU/CU ENT** key.
- 5) Press the **MENU ESC** key.

### Calculation procedure

You can find the range and bearing between two points by two waypoints or two latitude and longitude positions.

- 1) Press **MENU ESC** and **5**. The MANUAL CALCULATION menu appears.

MANUAL CALCULATION	
<b>From</b>	Waypoint No. █--
	-- °--'N --°--'E
To	Waypoint No. --
	-- °--'N --°--'E
Trial speed :	<input type="text" value="Auto"/> Man
	(--'kt)
Rng:	----- m      Brg:--'°
TTG:	-- D -- H--M
▲▼◀▶ : Cursor      MENU : Escape	
ENT : Calculation      ⌛ : N/S, E/W	

Figure 5-19 MANUAL CALCULATION menu

- 2) Choose two points by one of the methods below.

#### Latitude and longitude positions

- 1) Press ▼.
- 2) If necessary press ⌛ to switch from North latitude and to South latitude vice versa.
- 3) Key in latitude.
- 4) If necessary press ⌛ to switch from West longitude to East longitude and vice versa.
- 5) Key in longitude.
- 6) Press ▼.
- 7) Repeat 2-5 to enter other point.

#### Waypoints

- 1) Key in first waypoint number (000-999). (000 is reserved for own ship position.)
- 2) Press ▼ twice.
- 3) Key in other waypoint number (000-999).
- 4) Press ▼ to shift the cursor to the Trial Speed line.
- 5) Press ◀ or ▶ to select Auto or Man. Auto

## 5. SETTING DESTINATION

uses ship's average speed to calculate time-to-go.

- 6) If you selected Man, enter speed.
- 7) Press the **NU/CU ENT** key.

The range, bearing and time-to-go between two points appear on the display. If data entered is wrong or insufficient the buzzer sounds and the message "INCOMPLETE DATA" appears. If the data contains error, "\*" and all nines appear as the calculation results.

- 8) Press the **MENU ESC** key.

# 6. SETTING UP VARIOUS DISPLAYS

## 6.1 The Data Display

The user may select what data to display in four locations on the data display.

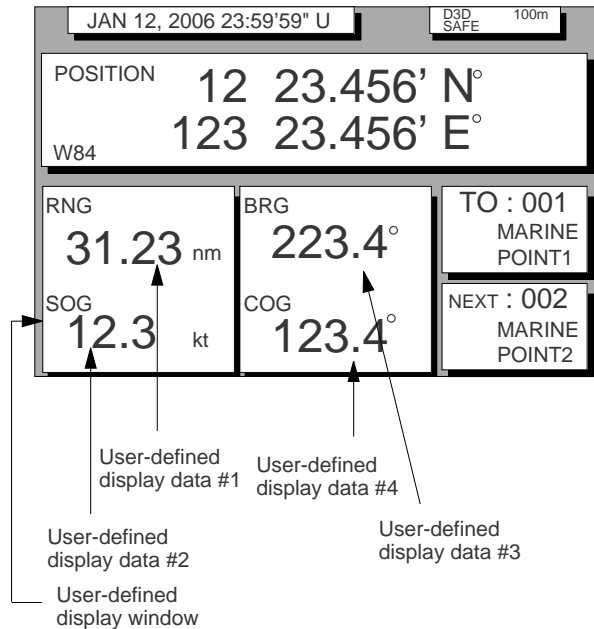


Figure 6-1 Data display

The data the user may display are;

- Altitude (ALT)\*
- Average course (AVR COG)
- Average speed (AVR SPD)
- Course (COG)
- Course error (dCOG)
- Cross track error (XTE)
- Depth (W.DPT)#
- ETA to waypoint (ETA)
- Range to waypoint (RNG)
- Bearing to waypoint (BRG)
- Route time-to-go (RT.TTG)
- Speed (SOG)
- Time-to-go to waypoint (TTG)
- Total route distance (RT.DIST)\*
- Trip distance (TRIP)

- Trip elapsed time (TRIP TM)
- Water temperature (W.TMP)#, and
- Velocity to destination (VTD)\*
- ETA to route

\***ALT:** Displayed only in 3D position fixing.

\***RT. DIST:** Total distance from current position to ultimate destination. Appears when following a registered route or a cursor-created route.

\***VTD:** When following a route, plus or minus appears next to indication to denote which direction the route is being traversed.

# Requires external sensor.

- 1) Press **MENU ESC, 9** and **1** to display the **PLOTTER SETUP** menu.

PLOTTER SETUP		
Memory Apportion	Trk = 1000 / 2000Pt	
<b>Bearing Ref.</b>	<b>True</b>	Mag
Mag Variation	Auto	Man
	(07° W)	(00° E)
Calculation	R.L	G.C
User defined #1	◀ SOG ▶	
#2	◀ COG ▶	
#3	◀ RNG ▶	
#4	◀ BRG ▶	
ENT:Enter		MENU:Escape

Figure 6-2 PLOTTER SETUP menu

- 2) Press ▲ or ▼ to select one of four of "User defined" (#1, #2, #3, #4).
- 3) Press ◀ or ▶ to select data to display.
- 4) Press the **NU/CU ENT** key. To select the data to display at other user defined displays, repeat steps 2 and 3.
- 5) Press the **MENU ESC** key.

## 6.2 Position Format

Position can be displayed in latitude and longitude, Loran C LOPs, or Decca LOPs, and the default format is latitude and longitude.

### Displaying position in latitude and longitude

- 1) Press **MENU ESC**, **9** and **8** to display the LOP SETUP menu.

LOP SETUP		
<b>Pos Display</b>	<b>Lat / Long</b>	LOP
LOP Display	LC	DE
LC Chain	7980 : 23-43	
ΔLOP	-12.3us +0.34 us	
DE Chain	24:G - P	
ΔLOP	+0.80 Lane -1.00 Lane	
(RED:1 GREEN:2 PURPLE:3)		
▲▼◀▶ : Select      ENT : Enter		
MENU : Escape      ↻ : +/-		

Figure 6-3 LOP SETUP menu

- 2) Press ▲ to select Pos Display.
- 3) Press ◀ to select Lat/Long.
- 4) Press the **NU/CU ENT** key.
- 5) Press the **MENU ESC** key.

### Displaying position in LOPs

- 1) Press **MENU ESC**, **9** and **8**.
- 2) Press ▲ to select Pos Display.
- 3) Press ▶ to select LOP.
- 4) Press ▼ to select LOP Display.
- 5) Press ◀ or ▶ to select LC (Loran C) or DE (Decca).

Follow ① or ② in the adjacent column according to selection in step 5.

#### ① For Loran LOPs

- 6) Press ▼ to select LC Chain.
- 7) Key in GRI code referring to the Loran C chain list in the Appendix. If the GRI code is 9970, for example, press **9, 9, 7, 0**.
- 8) Key in secondary code pair referring to the Loran C chain list in the Appendix.
- 9) If necessary press ▼ to choose ΔLOP to enter correction value. Key in correction value. Use ↻ to switch from plus to minus or vice versa.
- 10) Press the **NU/CU ENT** key.
- 11) Press the **MENU ESC** key.

#### ② For Decca LOPs

- 6) Press ▼ to select DE Chain.
- 7) Key in Decca chain number referring to the Decca chain list in the Appendix. For the Europe chain, for example, press **0, 1**.
- 8) Key in Decca lane pair. Red, **1**; Green **2**, and Purple **3**.
- 9) If necessary press ▼ to choose ▲ LOP to enter correction value. Key in correction value. Use ↻ to switch from plus to minus or vice versa.
- 10) Press the **NU/CU ENT** key.
- 11) Press the **MENU ESC** key.

**Entering waypoints using LOPs**

- 1) Press **WPT RTE** and **4**.
- 2) Press  to display LOPs.








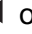








WAYPOINT LIST (LOP, LC)			
<b>001</b>	36365.2	59102.3	
	MARINE POINT AUG12' 03 12 : 35U		
002	36512.3	59134.5	
—	A POINT AUG13' 03 13 : 45U		
003	-----,--	-----,--	
004	-----,--	-----,--	
 : L/L ↔ LOP   : Edit ENT : Enter                      MENU : Escape			

Figure 6-4 LOP display on the waypoint list

- 3) Press  or  to select waypoint number.
- 4) Press  or . Your display should look like one of the displays in Figure 6-5.

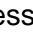
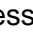

Edit=Waypoint : 001			
LC8930 :	30	50	
	<b>3</b>	8931.2	58654.3
		(34° 12.345' N	130° 23.456' E)
Mark :			
Cmnt :	MARINE POINT		
  : Cursor  : Column ENT : Enter                      MENU : Escape			

Loran C LOP input screen

Edit=Waypoint : 001			
DE :	32 (9C) RED	GREEN	
	<b>1</b>	A:12.23	2H:24.35
		(34° 12.345' N	130° 23.456' E)
Mark :			
Cmnt :	MARINE POINT		
ABCDEFGHIJ fi 1, 2 ~ 9, 0   : Cursor  : Column ENT : Enter                      MENU : Escape			

Decca LOP input screen

Figure 6-5 LOP input screens

- 5) Key in LOP1 and LOP2, to enable calculation.
- 6) Press  to calculate LOPs. "Calculating" appears between parentheses during the calculation. Actual LOPs replace "Calculating" upon completion of the calculation.  
 If the conversion fails, the message "Failed in Conversion" appears for three seconds. Press the **CLEAR** key and reenter the right LOP1 and LOP2.
- 7) Press  or  to select mark.
- 8) Press the **NU/CU ENT** key.
- 9) Enter comment, if desired.
- 10) Press the **NU/CU ENT** key twice.  
 The waypoint list appears.

### 6.3 Demo Display

The demo display provides simulated operation of this unit. Own ship tracks, at the speed selected, a figure eight course, starting from position entered. All controls are operative; you may change course, enter marks, etc.

**Note:** The return to the normal mode, turn off the power and then turn it on while pressing and hold down **NU/CU ENT** key.

- 1) While pressing and holding down **NU/CU ENT**, turn on the power.

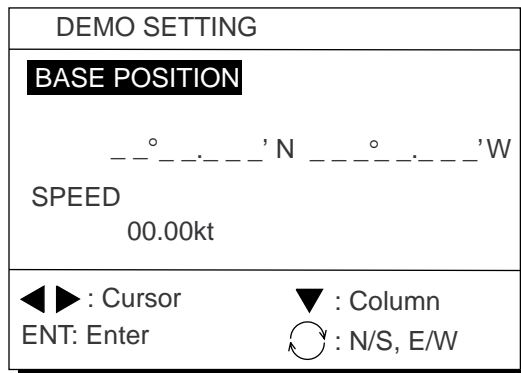





Figure 6-6 DEMO SETTING menu

- 2) Key in latitude of initial position.
- 3) If necessary, press  to switch from north latitude to south latitude or vice versa.
- 4) Key in longitude.
- 5) If necessary, press  to switch from east longitude to west longitude or vice versa.
- 6) Press .
- 7) Key in speed.
- 8) Press the **NU/CU ENT** key to start the demonstration mode. The plotter display appears and the demo mode begins. After the test results appear, the demo setting mode menu appears.
- 9) To quit the demo display, turn off the power.

All tracks, marks and data entered during the simulation are erased and default demo mode settings are restored.



# 7. ALARMS

## 7.1 Overview

There are seven alarm conditions which generate both aural and visual alarms.

When an alarm setting is violated, the buzzer sounds and the name of the alarm being violated appears on the display. The alarm icon also appears on the Plotter 1, Plotter 2 and Highway displays. This occurs on both navigators when they are sharing data.

Alarm status is output to external equipment through the DATA1 port and the DATA4 port when it outputs data in NMEA format.

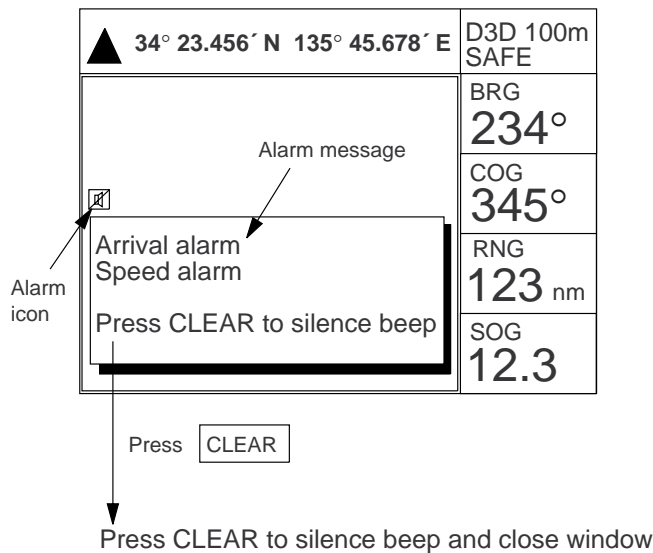


Figure 7-1 Location of alarm messages and alarm icon

### Clearing the aural and visual alarms

Press the **CLEAR** key. When the navigators are sharing data, the "reset alarm signal" is transmitted to the other navigator to clear aural and visual alarms there.

### Disabling an alarm

Select OFF instead of alarm name on the appropriate menu. This disables the alarm on both navigators when they are sharing data.

## 7.2 Arrival Alarm, Anchor Watch Alarm

### Arrival alarm

The arrival alarm informs you that own ship is approaching a destination waypoint. The area that defines an arrival zone is that of a circle which you approach from the outside of the circle. The alarm will be released if own ship enters the circle.

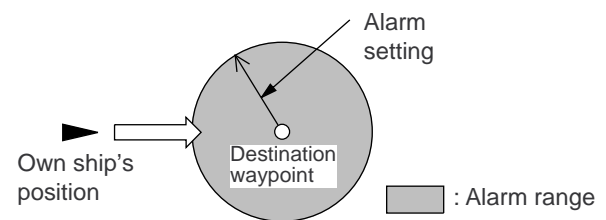


Figure 7-2 How the arrival alarm works

- 1) Press the **MENU ESC** key.
- 2) Press **4** to display the **ALARM SETTINGS** menu.

ALARM SETTINGS		1/2	
Arrival/Anchor	<input type="checkbox"/> Arr.	Anc.	Off
Alarm Range	0.100nm		
XTE	<input type="checkbox"/> On	Off	
Alarm Range	0.050nm		
<b>Ship Speed</b>	In	<b>Over</b>	Off
Speed Range	000.0 ~ 025.0kt		
Next Page			
▲▼◀▶ : Select			
ENT : Enter		MENU : Escape	

Figure 7-3 ALARM SETTINGS menu, page 1/2

- 3) Press **▲** to select Arrival/Anchor.
- 4) Press **◀** or **▶** to select Arr.
- 5) Press **▼** to select Alarm Range.
- 6) Key in alarm range (0.001-9.999 nm).
- 7) Press the **NU/CU ENT** key.
- 8) Press the **MENU ESC** key.

When own ship nears a waypoint by the range set here, the buzzer sounds and the message "Arrival alarm" appears.

## Anchor watch alarm

The anchor watch alarm sounds to warn you that own ship is moving when it should be at rest.

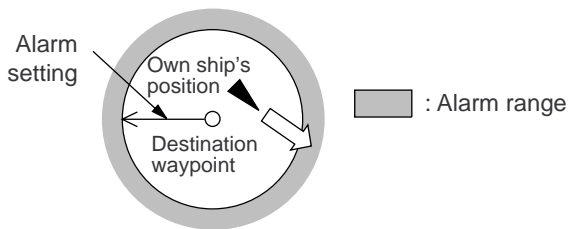


Figure 7-4 How the anchor watch alarm works

Before setting the anchor watch alarm, set present position as destination waypoint, referring to chapter 5.

- 1) Press **MENU ESC** and **4**.
- 2) Press **▲** to select Arrival/Anchor.
- 3) Press **◀** or **▶** to select Anc.
- 4) Press **▼** to select Alarm Range.
- 5) Key in alarm range (0.001-9.999 nm).
- 6) Press the **NU/CU ENT** key.
- 7) Press the **MENU ESC** key.

When own ship drifts by the range set here, the buzzer sounds and the message "Anchor alarm" appears.

## 7.3 Cross Track Error (XTE) Alarm

The XTE alarm warns you when own ship is off its intended course.

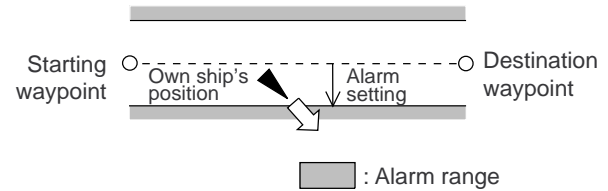


Figure 7-5 How the XTE alarm works

- 1) Press **MENU ESC** and **4**.
- 2) Press **▲** or **▼** to select XTE.
- 3) Press **◀** or **▶** to select On.
- 4) Press **▼** to select Alarm Range.
- 5) Key in alarm range (0.001-9.999 nm).
- 6) Press the **NU/CU ENT** key.
- 7) Press the **MENU ESC** key.

When own ship strays from the intended track by the range set here, the buzzer sounds and the message "Cross track error alarm" appears.

## 7.4 Speed Alarm

The speed alarm sounds when ship's speed is lower or higher (or within) the alarm range set.

- 1) Press **MENU ESC** and **4**.
- 2) Press **▲** or **▼** to select Ship Speed.
- 3) Press **◀** or **▶** to select In or Over.

**In:** Alarm sounds when speed is within range set.

**Over:** Alarm sounds when speed is higher or lower than range set.

- 4) Press **▼** to select Speed Range.
- 5) Key in low speed.
- 6) Key in high speed.
- 7) Press the **NU/CU ENT** key.
- 8) Press the **MENU ESC** key.

When speed is higher or lower (or within) than the speed set here, the buzzer sounds and the message "Speed alarm" appears.

## 7.5 Trip Alarm

The trip alarm sounds when the distance run is greater than the trip alarm setting.

- 1) Press **MENU ESC** and **4**.
- 2) Press **▼** to select Next Page. The menu shown in Figure 7-6 appears.

ALARM SETTINGS		2/2	
To Previous Page			
<b>Trip (CLR:Reset)</b>	On	<b>Off</b>	
Trip Range	0123.00nm		
Water Temp.	<input type="checkbox"/> In	Over	Off
Temp. Range	+12.0 ~ +15.0°C		
Depth	<input type="checkbox"/> In	Over	Off
Depth Range	0003.0 ~ 0200.0ft		
WAAS/DGPS	On	<b>Off</b>	
▲▼◀▶ : Select		ENT : Enter	
MENU : Escape		⌚ : +/-	

Figure 7-6 Alarm settings menu, page 2/2

- 3) Press **▲** or **▼** to select Trip.
- 4) If necessary, press **CLEAR** to reset the trip distance and trip elapsed time.
- 5) Press **◀** or **▶** to select On.
- 6) Press **▼** to select Trip Range.
- 7) Key in trip range.
- 8) Press the **NU/CU ENT** key.
- 9) Press the **MENU ESC** key.

When the ship's distance run is higher than the trip range set here, the buzzer sounds and the message "Trip alarm" appears.

## 7.6 Water Temperature Alarm

The water temperature alarm sounds when the water temperature is higher or lower (or within) the preset temperature. This alarm requires a water temperature signal from external equipment.

- 1) Press **MENU ESC** and **4**.
- 2) On page 2/2 of the ALARM SETTINGS menu, press **▲** or **▼** to select Water Temp.
- 3) Press **◀** or **▶** to select In or Over.
- 4) Press **▼** to select Temp. Range.
- 5) Key in low temperature.
- 6) Key in high temperature.
- 7) Press the **NU/CU ENT** key.
- 8) Press the **MENU ESC** key.

When the water temperature is higher or lower (or within) the preset value, the buzzer sounds and the message "Water temp alarm" appears.

## 7.7 Depth Alarm

The depth temperature alarm sounds when the depth is higher or lower (or within) the preset depth. This alarm requires video sounder connection.

- 1) Press **MENU ESC** and **4**.
- 2) On page 2/2 of the ALARM SETTINGS menu, press **▲** or **▼** to select Depth.
- 3) Press **◀** or **▶** to select In or Over.
- 4) Press **▼** to select Depth Range.
- 5) Key in low depth.
- 6) Key in high depth.
- 7) Press the **NU/CU ENT** key.
- 8) Press the **MENU ESC** key.

When the depth is higher or lower (or within) the preset value, the buzzer sounds and the message "Depth alarm" appears.

## 7.8 WAAS/DGPS Alarm

The WAAS/DGPS alarm sounds when the WAAS/DGPS signal is lost. This alarm may be enabled or disabled as below.

- 1) Press **MENU ESC** and **4**.
- 2) On page 2/2 of the ALARM SETTINGS menu, press **▲** or **▼** to select WAAS/DGPS.
- 3) Press **◀** to select On, or **▶** to select off.
- 4) Press the **NU/CU/ENT** key.
- 5) Press the **MENU ESC** key.

# 8. MENU SETTINGS

## 8.1 GPS SETUP Menu

### Menu description

#### Fix mode

Two position fixing modes are available: 2D and 2/3D. The 2D mode provides two dimensional position fixes (latitude and longitude only) and is used when three satellites are in line of sight of the GPS receiver. The 2/3D mode switches between two and three dimension position fixing automatically depending on how many satellites (three or four) are in line of sight of the GPS receiver.

#### ANT Height

Enter the height of the antenna unit above sea surface (000-999 ft, 000-304 m). The default setting is 16 ft.

#### Disable satellite

Every GPS satellite is broadcasting abnormal satellite number(s) in the Almanac. Using this information, the GPS receiver automatically eliminates any malfunctioning satellite from the GPS satellite schedule. However, the Almanac sometimes may not contain this information. You can disable an inoperative satellite manually on the GPS SETUP menu.

#### GPS smoothing, position

When the DOP or receiving condition is unfavorable, the GPS fix may change greatly, even if the vessel is dead in water. This change can be reduced by smoothing the raw GPS fixes. A setting between 0 and 9 is available. The higher the setting the more smoothed the raw data, however too high a setting slows response time to change in latitude and longitude. This is especially noticeable at high ship's speeds. "0" is the normal setting; increase the setting if the GPS fix changes greatly.

#### GPS smoothing, speed

During position fixing, ship's velocity (speed and course) is directly measured by receiving GPS satellite signals. The raw velocity data may change randomly depending on receiving conditions and other factors. You can reduce this random variation by increasing the smoothing. Like with latitude and longitude smoothing, the higher the speed and course smoothing the more smoothed the raw data. If the setting is too high, however, the response to speed and course change slows. For no smoothing, enter "0." "5" is suitable for most conditions.

#### Speed average

Calculation of ETA and TTG, etc. is based on average ship's speed over a given period. The default setting is one minute. Change the setting if the ETA seems wrong.

#### RAIM function/RAIM accuracy

RAIM (Receiver Autonomous Integrity Monitoring) is a diagnostic function which tests the accuracy of the GPS signal. To use the RAIM function, enter the range (from own ship in meters) for which you want to know position confidence, on the GPS Setup 2/2 menu. The receiver estimates position confidence using range value and detected satellite error, and displays (provided the RAIM function is active) the results as one of three levels of position confidence, at the top right-hand corner of the screen. The three levels are as follows:

**SAFE:** GPS signal is normal. The positioning accuracy satisfies the setting value.

**CAUTION:** RAIM accuracy cannot be calculated. (Signals from more than five GPS satellites are necessary.) The positioning accuracy does not satisfy the setting value.

**UNSAFE:** GPS signal is abnormal, therefore the positioning accuracy is not reliable. Note that the GP-150-DUAL does not exclude abnormal signals automatically.

## 8. MENU SETTINGS

SAFE: GPS signal is safe to use.

CAUTION: RAIM accuracy is shorter than protected level or RAIM measurement not possible.

UNSAFE: GPS signal is not safe to use.

Enter the range for which you want to know position confidence

### Geodetic datum

Select the geodetic chart system you are using. WGS-84 (standard GPS chart system) and NAD 27 can be directly selected. For other charts, select "OTHER" and enter chart number referring to the geodetic chart list in the Appendix.

To output position data to ECDIS (Electronic Chart Display and Information System), turn on the power while holding down the **0** key to disable access to the Geodetic Datum menu. Then, "Cannot be changed" is shown in the Geodetic Datum menu as in Figure 8-2 on the next page. To stop outputting position data to ECDIS, turn on the power while holding down the **0** key.

### Position offset

You may apply an offset to position generated by the internal GPS receiver, to compensate for difference between GPS position and chart position.

### Time difference

The GPS system uses UTC time. If you would rather use local time, enter the difference in hours between local time and UTC. Use the **+** and **-** keys for times later or earlier than UTC, respectively.

### Position

When executing cold start there is no satellite information in the unit's memory, thus it may take some time to find position. To fix position faster, enter estimated position.

## Setting up the GPS SETUP menu

### Fix mode

- 1) Press **MENU ESC**, **9** and **6** to display the GPS SETUP menu.

GPS SETUP		1/2
Fix Mode	<b>2D</b>	2/3D
ANT Height	016 ft	
Disable Satellite	12 _ _ _ (1-32)	
GPS Smoothing		
<b>Posn</b>	<b>0</b> 0 0 (0000-9999 sec)	
Spd	0 0 0 5 (0000-9999 sec)	
Speed Average	0 0 6 0 (0000-9999 sec)	
To Next Page		
▲▼◀▶ : Select		ENT : Enter
MENU : Escape		

Figure 8-1 GPS SETUP menu, page 1/2

- 2) Press **▲** to select Fix Mode.
- 3) Press **◀** or **▶** to select fix mode desired.
- 4) Press **▼** to change other settings, or press **MENU ESC** to register settings and escape.

### Disabling satellites

When the navigators are sharing data, satellites are disabled on both navigators.

- 1) Press **MENU ESC**, **9** and **6**.
- 2) Press **▲** or **▼** to select Disable satellite.
- 3) Key in satellite number, in two digits (01-32). Three sets of satellite numbers may be entered.
- 4) Press the **NU/CU ENT** key. If an invalid number is entered the buzzer sounds.
- 5) Press the **MENU ESC** key.

**Note:** To enable all disabled satellites, press the **CLEAR** key at step 3. All satellite numbers on the Disable satellite line are erased.

**GPS position smoothing**

- 1) Press **MENU ESC, 9** and **6**.
- 2) Press **▲** or **▼** to select Posn.
- 3) Enter smoothing factor in three digits (0000-9999).
- 4) Press the **NU/CU ENT** key.
- 5) Press the **MENU ESC** key.

**GPS speed smoothing**

- 1) Press **MENU ESC, 9** and **6**.
- 2) Press **▲** or **▼** to select Spd.
- 3) Enter smoothing factor in three digits (0000-9999).
- 4) Press the **NU/CU ENT** key.
- 5) Press the **MENU ESC** key.

**Speed averaging**

- 1) Press **MENU ESC, 9** and **6**.
- 2) Press **▼** to select Speed Average.
- 3) Enter smoothing factor in two digits (0000-9999).
- 4) Press the **NU/CU ENT** key.
- 5) Press the **MENU ESC** key.

**RAIM function**

- 1) Press **MENU ESC, 9** and **6**.
- 2) Press **▲** to select RAIM function on page 2/2.

GPS SETUP		2/2	
To Previous Page			
<b>RAIM Function</b>	OFF	<b>ON</b>	
RAIM Accuracy	100 m		
Geodetic Datum	WGS84	NAD27	OTHER (001)
(Cannot be changed)			
Posn Offset	0.000' N	0.000' E	
Time Diff.	+00:00		
Posn	38° 00.000' N	123	00.000' W
▲▼◀▶ : Select		ENT : Enter	
MENU : Escape		↻ : +/-	

Figure 8-2 GPS SETUP menu, page 2/2

- 3) Press **◀** or **▶** to turn RAIM function ON or OFF as appropriate.
- 4) Press the **NU/CU ENT** key.
- 5) Press the **MENU ESC** key.

**RAIM accuracy**

- 1) Press **MENU ESC, 9** and **6**.
- 2) Press **▲** or **▼** to select RAIM accuracy on page 2/2.
- 3) Key in the range for which you want to know RAIM accuracy (1 to 999 m).

**Note:** Unit is meter only.




- 4) Press the **NU/CU ENT** key.
- 5) Press the **MENU ESC** key.

**Geodetic datum**

- 1) Press **MENU ESC, 9** and **6**.
- 2) Press **▲** or **▼** to select Geodetic Datum on page 2/2.
- 3) Press **◀** or **▶** to select geodetic datum to use. For geodetic datum other than WGS-84 or NAD-27, select OTHER and key in chart number (001-173) referring to the geodetic chart list in the Appendix.
- 4) Press the **NU/CU ENT** key.
- 5) Press the **MENU ESC** key.

**Position offset**

If you do not know the type of chart you are using, GPS position may be wrong. Note the difference in position when moored to a pier and enter it on the GPS SETUP menu, to get correct position.

- 1) Press **MENU ESC, 9** and **6**.
- 2) Press **▲** or **▼** to select Posn Offset on page 2/2.
- 3) If necessary press  to switch from north latitude to south latitude or vice versa.
- 4) Key in latitude correction.
- 5) If necessary press  to switch from east longitude to west longitude or vice versa.
- 6) Key in longitude correction.
- 7) Press the **NU/CU ENT** key.
- 8) Press the **MENU ESC** key.  
The  icon appears when L/L offset is applied.

## 8. MENU SETTINGS

### Time difference

- 1) Press **MENU ESC, 9** and **6**.
- 2) Press **▲** or **▼** to select Time Diff on page 2/2.
- 3) Key in time difference (-14:00 to +14:00).
- 4) Press **↻** to change from plus to minus or vice versa.
- 5) Press the **MENU ESC** key.

### Position

After the unit is installed you may enter position to shorten the time it takes to find position. (It takes about two minutes when there is no position data entered.)

- 1) Press **MENU ESC, 9** and **6**.
- 2) Press **▲** or **▼** to select Posn on page 2/2.
- 3) If necessary, press **↻** to switch from north latitude to south latitude or vice versa. Key in latitude.
- 4) If necessary, press **↻** to switch from east longitude to west longitude or vice versa. Key in longitude.
- 5) Press the **NU/CU ENT** key.
- 6) Press the **MENU ESC** key.

## 8.2 Units of Measurement

### Unit of distance

Distance can be displayed in nautical mile, kilometer or statute mile as follows.

- 1) Press **MENU ESC, 9** and **2**. The UNIT SETUP menu appears.

UNIT SETUP			
<b>Unit of Distance</b>	<b>nm</b>	km	sm
Unit of Depth	m	<input type="text" value="ft"/>	FA
Unit of Temp.	° C	<input type="text" value="° F"/>	
Unit of Altitude	m	<input type="text" value="ft"/>	
▲▼◀▶ :Select			
ENT : Enter		MENU : Escape	

Figure 8-3 UNIT SETUP menu

- 2) Press **▲** to select Unit of Distance.
- 3) Press **◀** or **▶** to select unit; nm, km or sm.
- 4) Press the **NU/CU ENT** key.
- 5) Press the **MENU ESC** key.

### Unit of depth

- 1) Press **MENU ESC, 9** and **2**.
- 2) Press **▲** or **▼** to select Unit of Depth.
- 3) Press **◀** or **▶** to select unit; meter, feet, or fathom.
- 4) Press the **NU/CU ENT** key.
- 5) Press the **MENU ESC** key.

### Unit of water temperature

- 1) Press **MENU ESC, 9** and **2**.
- 2) Press **▲** or **▼** to select Unit of Temp.
- 3) Press **◀** or **▶** to select unit; Centigrade or Fahrenheit.
- 4) Press **NU/CU ENT** and **MENU ESC**.

### Unit of altitude

Available only in 3D mode.

- 1) Press **MENU ESC, 9** and **2**.
- 2) Press **▲** or **▼** to select Unit of Altitude.
- 3) Press **◀** or **▶** to select unit.
- 4) Press the **NU/CU ENT** key.
- 5) Press the **MENU ESC** key.



## 8.3 Size and Brilliance of Markers

The DISPLAY SETUP menu lets you select the size and brilliance of various markers.

### Grid tone

The grid can be displayed in light or dark tone, or turned off.

- 1) Press **MENU ESC** and **1**. The DISPLAY SETUP menu appears.

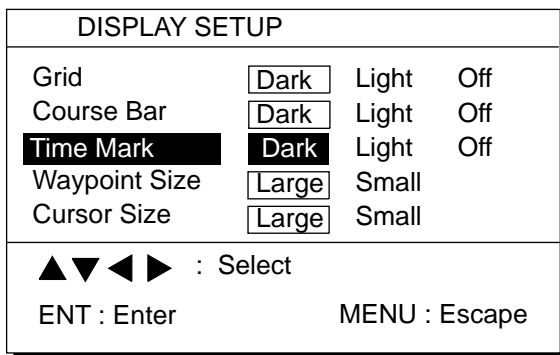


Figure 8-4 DISPLAY SETUP menu

- 2) Press **▲** to select Grid.
- 3) Press **◀** or **▶** to select brilliance.
- 4) Press **NU/CU ENT** and **MENU ESC**.

### Course bar tone

The course bar can be displayed in light or dark tone, or turned off.

- 1) Press **MENU ESC** and **1**.
- 2) Press **▲** or **▼** to select Course Bar.
- 3) Press **◀** or **▶** to select brilliance.
- 4) Press the **NU/CU ENT** key.
- 5) Press the **MENU ESC** key.

### Time mark tone

The time mark can be displayed in light or dark tone, or turned off.

- 1) Press **MENU ESC** and **1**.
- 2) Press **▲** or **▼** to select Time Mark.
- 3) Press **◀** or **▶** to select brilliance.
- 4) Press the **NU/CU ENT** key.
- 5) Press the **MENU ESC** key.

### Waypoint mark size

The size of the waypoint mark can be selected to large or small.

Large waypoint mark

No icon	With icon
12	12 ▲

Small waypoint mark

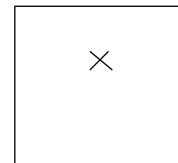


Figure 8-5 Waypoint mark size

- 1) Press **MENU ESC** and **1**.
- 2) Press **▲** or **▼** to select Waypoint Size.
- 3) Press **◀** or **▶** to select Large or Small.
- 4) Press **NU/CU ENT** and **MENU ESC**.

### Cursor size

The size of the cursor can be selected to large or small.

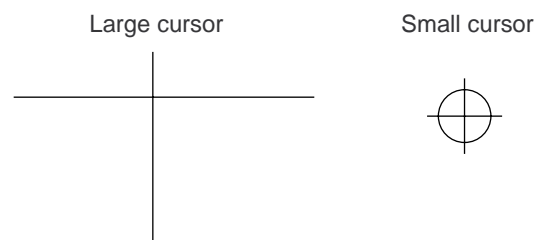


Figure 8-6 Cursor size

- 1) Press **MENU ESC** and **1**.
- 2) Press **▼** to select Cursor Size.
- 3) Press **◀** or **▶** to select Large or Small.
- 4) Press the **NU/CU ENT** key.
- 5) Press the **MENU ESC** key.

### Enlarging characters

The size of the indications of position or user-defined display areas can be enlarged on the Data display.

- 1) On the Data display, with no enlarged characters, press the **CURSOR ON/OFF** key to turn on the zoom icon.
- 2) Operate the cursor keys to select data to enlarge in the window.
- 3) Press the **ZOOM IN** key.

To switch character size from enlarged to normal, press the **ZOOM OUT** key at step 3.

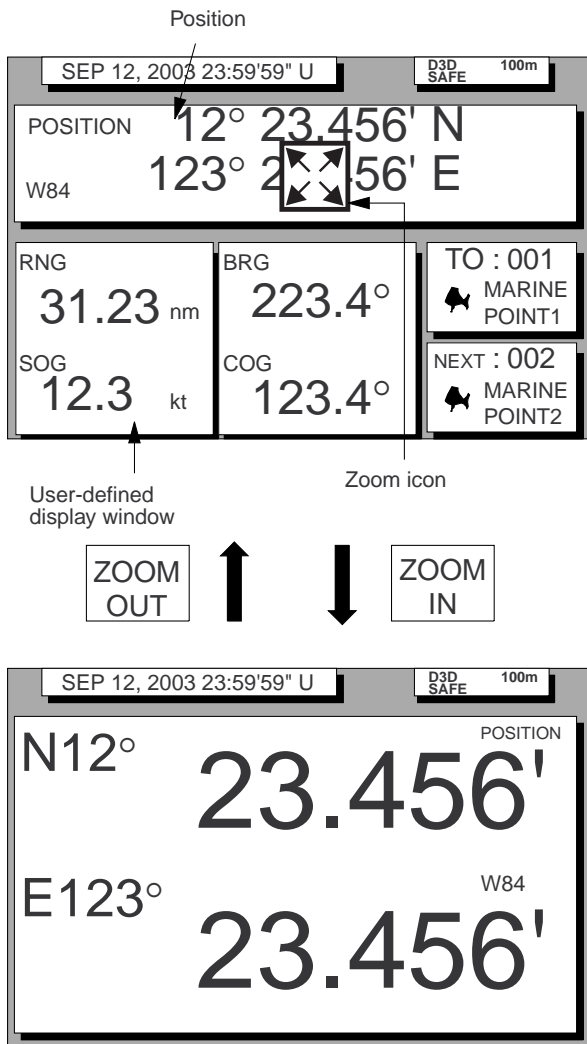


Figure 8-7 How to enlarge indications on the data display

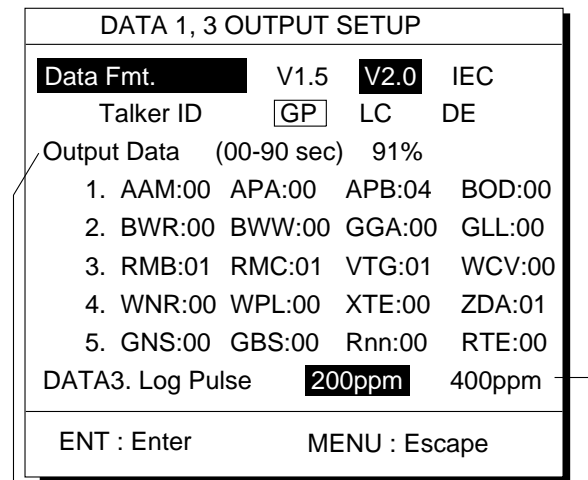
## 8.4 Outputting Data

Besides its fundamental function of displaying position, the GP-150-DUAL can also receive data and output data to external equipment, through an interface unit. Before outputting data to external equipment, first determine what data the external equipment requires. Output only necessary data to ensure data will be output correctly.

All data transmitted by marine electronics equipment are prefixed with a two-character code called a talker. The same talker must be shared by the transmitting and receiving equipment to transmit and receive data successfully. The GP-150-DUAL transmits data using the GP (GPS talker), LC (Loran) or DE (Decca) talker.

### DATA 1 output setting

- 1) Press **MENU ESC, 9** and **3**. The DATA 1, 3 OUTPUT SETUP menu appears.



Settings shown here are default settings.

This line appears only when LOG is selected by internal jumper wires.

Figure 8-8 DATA 1 OUTPUT SETUP menu

- 2) Press ▲ to select Data Fmt.
- 3) Press ◀ or ▶ to select NMEA 0183 (V1.5 or V2.0) or IEC 61162-1.
- 4) Press the **NU/CU ENT** key. Talker ID appears in reverse video.
- 5) Press ◀ or ▶ to select GP, LC or DE.
- 6) Press the **NU/CU ENT** key.
- 7) Enter Tx interval for each output data sentence in line 1. Tx interval is available in 00, 01, 02, 03, 04, 05, 06, 10, 15, 20, 30, 60 and 90 (seconds).
- 8) Press the **NU/CU ENT** key.
- 9) Enter Tx interval for each output data sentence in lines 2 through 5. Press the **NU/CU ENT** key after setting each line.

For detailed information about Tx interval see the chapter on installation. However, the Tx interval settings entered by the installer of the equipment should not be changed unless absolutely necessary.

BWC and WNC are for great circle navigation and BWR and WNR are for rhumb line navigation. However, all output data are calculated by rhumb line.

When the external equipment cannot display data input from the GP-150-DUAL correctly, the rate of operation should be lowered.

For example, set a rate of operation less than 60% for the Temperature Indicator TI-20.

### DATA 3 output setting

The DATA 3 connector can output IEC 61162-1/NMEA 0183 data or log pulse. For NMEA 0183, IEC 61162-1 the same data output by DATA 1 is output from DATA 3.

For log pulse, select 200 or 400 pulse per second depending on the device connected.

- 1) Press **MENU ESC, 9** and **3**.
- 2) Press ▼ to select DATA 3 or Log Pulse.
- 3) For log pulse, press ◀ or ▶ to select log pulse of external equipment; 200 ppm or 400 ppm.
- 4) Press the **NU/CU ENT** key twice.

### Setting DATA 4 to data output

The DATA 4 port connects to a personal computer, DGPS receiver or YEOMAN equipment.

- 1) Press **MENU ESC, 9** and **5**. The DATA 4 I/O SETUP (1/2) menu appears.

DATA 4 I/O SETUP		1/2
<b>DATA 4. Level</b>	<b>RS232C</b>	RS422
Data	<input type="text" value="Out"/>	Com. DGPS
To Next Page		
▲▼◀▶ : Select		
ENT : Enter		MENU : Escape

Figure 8-9 DATA 4 I/O SETUP menu (1/2)

- 2) Press ▲ to select Level.
- 3) Press ◀ or ▶ to select level of external equipment; RS232C or RS422.
- 4) Press the **NU/CU ENT** key.
- 5) Press ◀ or ▶ to select Out.
- 6) Press ▼ to select To Next Page. The DATA 4 I/O SETUP (2/2) menu appears.

## 8. MENU SETTINGS

DATA 4 I/O SETUP <Out> 2/2			
To Previous Page			
Data Fmt.	V1.5	V2.0	<b>IEC</b>
Talker ID	<b>GP</b>	LC	DE
Output Data	(00-90 sec)	100%	
1.	AAM:00	APA:00	APB:04 BOD:00
2.	BWR:00	BWW:00	GGA:00 GLL:01
3.	RMB:01	RMC:00	VTG:01 WCV:00
4.	WNR:00	WPL:00	XTE:00 ZDA:01
5.	GNS:00	GBS:01	Rnn:00 RTE:00
ENT : Enter		MENU : Escape	

Figure 8-10 DATA 4 I/O SETUP menu (2/2)

- 7) Follow "DATA 1 output setting" from step 2.

### 8.5 Receiving Data from Personal Computer

#### Loading waypoint/route data

Waypoints and routes data can be downloaded from a personal computer, through the DATA 4 connector.

- 1) Press **MENU ESC, 9** and **5**.
- 2) Press **▲** to select DATA 4 Level.
- 3) Press **◀** or **▶** to select level of personal computer; RS232C or RS422.
- 4) Press the **NU/CU ENT** key.
- 5) Press **◀** or **▶** to select Com.
- 6) Press **▼** to select To Next Page. The DATA 4 I/O SETUP menu appears.

DATA 4 I/O SETUP <Com.> 2/2			
To Previous Page			
Baud Rate	◀ 9600 bps ▶		
<b>Load Data</b>	<b>WPT/RTE</b>	WPT	
Command	<b>Stop</b>	Start	
Save Data	<b>WPT/RTE</b>		
Command	<b>Stop</b>	Start	
▲▼◀▶ : Select			
ENT : Enter		MENU : Escape	

Figure 8-11 DATA 4 I/O SETUP menu (2/2)

- 7) Press **▲** to select Baud Rate.
- 8) Press **◀** or **▶** to select baud rate; 4800 bps, 9600 bps, or 19200 bps.
- 9) Press the **NU/CU ENT** key.
- 10) Press **◀** or **▶** to select WPT/RTE.
- 11) Press **▼** to select Command. Stop, on the same line as Command, appears in reverse video.
- 12) Press **▶** to select Start. The message shown in Figure 8-12 appears.

Loading erases current data and stops Route navigation Are you sure to load ? ENT: Yes    MENU:No
------------------------------------------------------------------------------------------------------------

Figure 8-12

- 13) Press the **NU/CU ENT** key. The message shown in Figure 8-13 appears.

Now loading Waypoint/Route data !  MENU:Stop
-------------------------------------------------------

Figure 8-13

- 14) Operate the computer to output data. When data is loaded, the cursor shifts to Stop.
- 15) Press the **MENU ESC** key. When data is loaded successfully, The message shown in Figure 8-14 appears.

Loading ended successfully  Press any key
-------------------------------------------------

Figure 8-14

If data could not be loaded, the message shown in Figure 8-15 appears.

Failed in loading Invalid data Press any key
----------------------------------------------------

Figure 8-15

**Stopping loading of data**

- 1) Press the **MENU ESC** key. The message shown in Figure 8-16 appears.

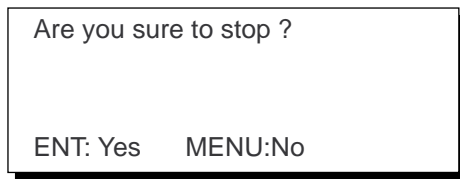


Figure 8-16

- 2) To quit loading, press the **NU/CU ENT** key. The cursor shifts to Stop.
- 3) To start loading, select Start.
- 4) Press the **NU/CU ENT** key.

**Loading waypoint data from YEOMAN equipment**

- 1) Do steps 1 through 9 in "Loading Waypoint/route data."
- 2) Press ◀ or ▶ to select WPT.
- 3) Press ▼ to select Command.
- 4) Press ▶ to select Start. The message shown in Figure 8-17 appears.

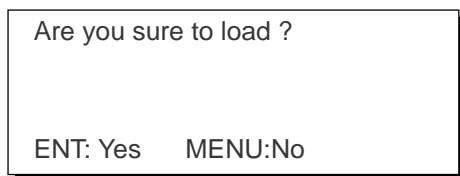


Figure 8-17

- 5) Press the **NU/CU ENT** key. The message shown in Figure 8-18 appears.

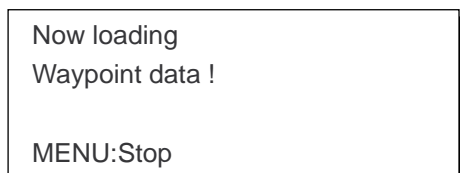


Figure 8-18

- 6) Operate the YEOMAN to output data. When data is loaded, the cursor automatically shifts to "Stop". Waypoints are loaded into empty areas. When the waypoint area becomes full, the message shown in Figure 8-19 appears.

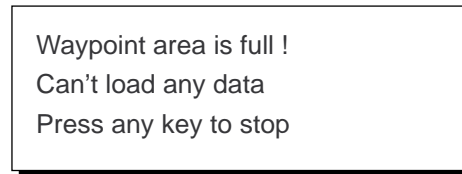


Figure 8-19

- 7) When the data is loaded, press **CU/NU ENT** and **MENU ESC**. The message shown in Figure 8-20 appears.

The number of valid and invalid waypoints appear in the message.

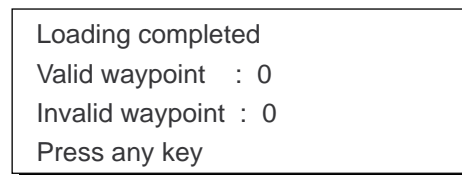


Figure 8-20

- 8) Press the **MENU ESC** key twice.

**Saving data to personal computer**

Waypoint and route data can be saved to a personal computer.

- 1) Press **MENU ESC, 9** and **5**.
- 2) Press ▲ to select Level.
- 3) Press ◀ or ▶ to select level; RS232C or RS422.
- 4) Press the **NU/CU ENT** key. "Data" appears in reverse video.
- 5) Press ▶ to select Com.
- 6) Press ▼ to select Next Page.
- 7) Press ▲ to select Baud Rate.
- 8) Press ◀ or ▶ to select baud rate; 4800bps, 9600bps, or 19200bps.
- 9) Press ▼ to select Command (under the Save Data line). Stop, on the same line as Command, appears in reverse video.
- 10) Press ▶ to select Start. The message shown in Figure 8-21 appears.

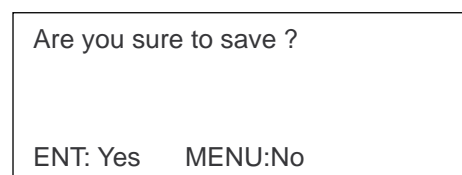


Figure 8-21

## 8. MENU SETTINGS

- 11) Press the **NU/CU ENT** key. The message shown in Figure 8-22 appears while data is being saved.

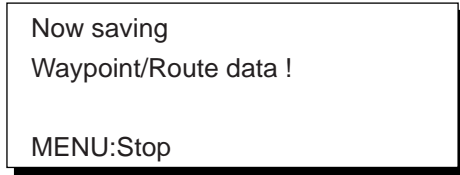


Figure 8-22

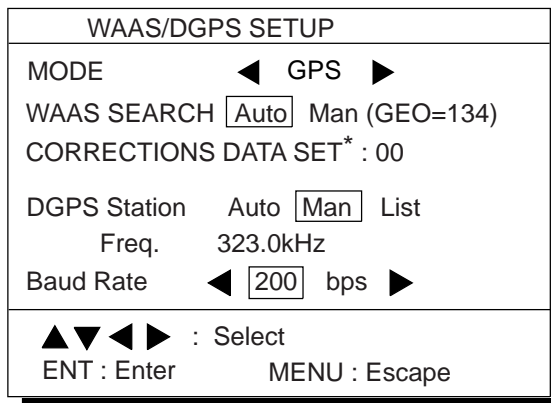
- 12) Save data at the computer.
- 13) Press the **MENU ESC** key. When data is saved, the cursor shifts to Stop.
- 14) Press the **MENU ESC** key.

### 8.6 WAAS/DGPS Setting

This menu sets the using WAAS or when the DGPS beacon receiver GR-80 is connected. The default setting is "GPS".

#### WAAS

- 1) Press **MENU ESC, 9** and **7** to display the WAAS/DGPS SETUP menu.



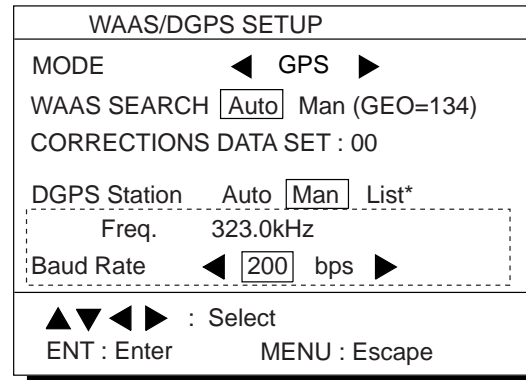
\*: Determines how to use the WAAS signal. Use the default setting "00".

Figure 8-23 WAAS/DGPS SETUP menu

- 2) Press ◀ or ▶ to select WAAS or AUTO.
- 3) Press ▼ to select WAAS SEARCH.
- 4) Press ◀ or ▶ to select Auto or Man.

#### DGPS

- 1) Press **MENU ESC, 9** and **7** to display the WAAS/DGPS SETUP menu.



◻◻◻◻ : These items appear when "Man" is selected.  
\*: Only when the internal beacon receiver is equipped.

Figure 8-24

- 2) Press ▲ or ▼ to select MODE, and then press ◀ or ▶ to choose INT BEACON.
- 3) Press ▼ to select DGPS Station.
- 4) Press ◀ or ▶ to select Auto or Man or List.  
For automatic search, the GP-150 automatically search DGPS reference station.  
For manual search, enter frequency of DGPS reference station and select the transmission rate of that. The List shows five closest DGPS beacon stations, including user-programmed stations.

#### **Manual**

- 1) Press ◀ or ▶ to select Man.
- 2) Enter frequency in four digits (283.5kHz to 325.0kHz, in 0.5 kHz step).
- 3) Press the **NU/CU ENT** key. "Baud Rate" appears in reverse video.
- 4) Press ◀ or ▶ to select baud rate; 25, 50, 100 or 200bps.
- 5) Press the **MENU ESC** key.

**List**

- 1) Press ◀ or ▶ to select List to show the STATION NEAREST list.

STATION NEAREST			
USER Setup	No	Yes	
Freq.	RNG	BRG	
1 320.5kHz	0.6nm	202°*	
2 320.5kHz	22.3nm	244°	
3 316.0kHz	70.3nm	348°	
4 320.0kHz	87.2nm	77°	
5 288.0kHz	93.7nm	110°	

▲▼◀▶ : Select  
ENT : Enter      MENU : Escape

\*: User-programmed station

Figure 8-25

- 2) Press ▲ or ▼ to select the station desired.
- 3) Press the **ENTER** key.
- 4) Press the **MENU ESC** key.

**Programming DGPS user stations**

You may program 20 DGPS beacon stations from which to use in DGPS beacon station selection. This function is available only when equipped with the internal beacon receiver.

**Entering new DGPS stations**

- 1) Press **MENU ESC, 9** and **7** to display the WAAS/DGPS SETUP menu.
- 2) Press ▼ to select DGPS Station.
- 3) Press ▶ to select List to show the STATION NEAREST list.
- 4) Press ▲ or ▼ to select USER Setup, and then press ▶ to go to the DGPS Station (USER) list. While searching stations, the message "PLEASE WAIT" appears. Each page shows six stations.

DGPS Station (USER)				
No.	Freq. (kHz)	Rate (bps)	Position	
01	284.0	200	20° 0'N	0° 0'W
02	285.0	200	20° 0'N	20° 0'E
03	286.0	200	0° 0'S	20° 0'E
04	287.0	200	20° 0'S	20° 0'E
05	288.0	200	20° 0'S	0° 0'W
06	289.0	200	20° 0'S	0° 0'W

▲▼ : Station No.      ◀▶ : Edit  
CLEAR : Erase      MENU : Escape

Figure 8-26

- 5) Press ▲ or ▼ to select No. desired, which has not been used.
- 6) Press ◀ or ▶ to show the Edit window.

Edit=DGPS station: 18	
Freq.	_____ kHz
Rate	◀ 200 bps ▶
Position	_____°N _____°W

▲▼ : Column      ◀▶ : Cursor  
ENT : Enter      MENU : Escape

Figure 8-27

- 7) Press ▲ or ▼ to select Freq., and then enter frequency of the station, and then press ▼. (Setting range: 283.5 to 320.5, in 0.5 step)
- 8) Press ◀ or ▶ to select the baud rate, 100 or 200 bps, and then press ▼.
- 9) Enter latitude and longitude of the station. To change N to S or E to W, press ↻. The message "ARE YOU SURE?" appears.
- 10) Press the **NU/CU ENT** key. The message "PLEASE WAIT" appears, and then the DGPS Station (USER) list appears. Wrong frequency or position was entered at step 7 to 9, the beep sounds and the message "INCOMPLETE DATA" appears for three seconds.
- 11) Press the **MENU ESC** key.

**Editing DGPS stations**

- 1) Press **MENU ESC, 9** and **7** to display the WAAS/DGPS SETUP menu.
- 2) Press ▼ to select DGPS Station.
- 3) Press ▶ to select List to show the STATION NEAREST list.
- 5) Press ▲ or ▼ to select USER Setup, and then press ▶ to go to the DGPS Station (USER) list.
- 6) Press ▲ or ▼ to select the station from the list, and then press ◀ or ▶ to show the Edit window.



## 8. MENU SETTINGS

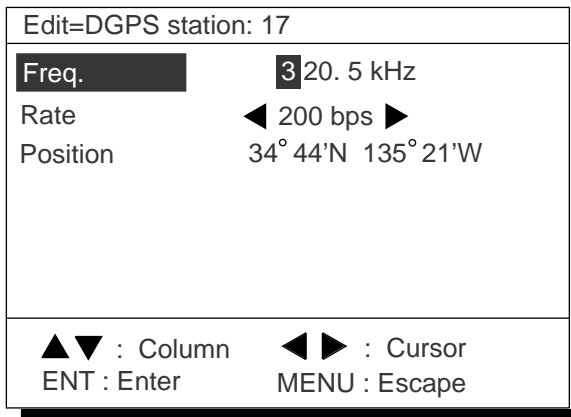


Figure 8-28

- 7) Edit data, and then press the **NU/CU ENT** key.
- 8) After displaying the message "Are you sure to change?", press the **NU/CU ENT** key. The DGPS Station (USER) list appears after the message "PLEASE WAIT".
- 9) Press the **MENU/ESC** key.

### Erasing individual DGPS station

- 1) Press **MENU ESC, 9** and **7** to display the WAAS/DGPS SETUP menu.
- 2) Press ▼ to select DGPS Station.
- 3) Press ▶ to select List to show the STATION NEAREST list.
- 4) Press ▲ or ▼ to select USER Setup, and then press ▶ to go to the DGPS Station (USER) list.
- 5) Press ▲ or ▼ to select the station from the list, and then press the **CLEAR** key. The message "Are you sure to erase?" appears.
- 6) Press the **NU/CU ENT** key. If cancelling, press the **MENU ESC** key.
- 7) Press the **MENU ESC** key.

## 8.7 GPS Monitor Display

Three GPS monitor displays provide GPS information:

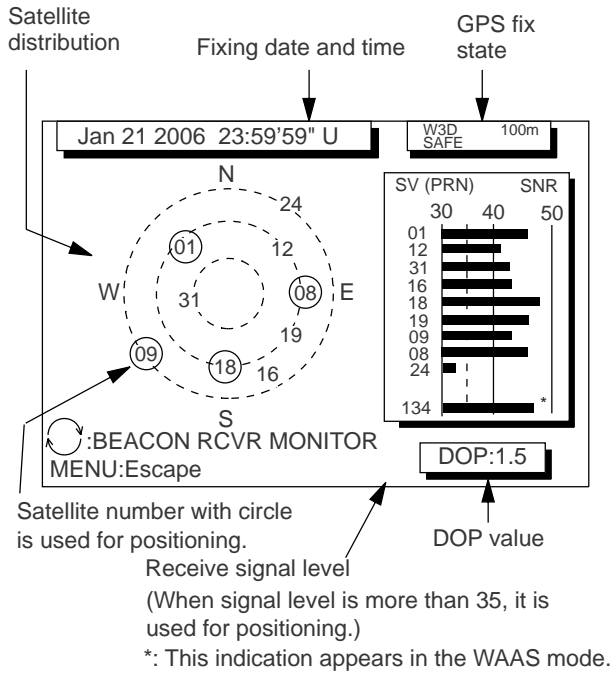
- **Satellite monitor** which shows position of GPS satellites
- **DGPS INTEGRITY STATUS** which displays DGPS beacon station information
- **DGPS beacon station message monitor** which displays messages received from beacon stations

To display the GPS monitor displays;

- 1) Press **MENU ESC, 7**.
- 2) Press ↻ to choose the GPS monitor you want to view.
- 3) Press the **MENU ESC** key to escape.

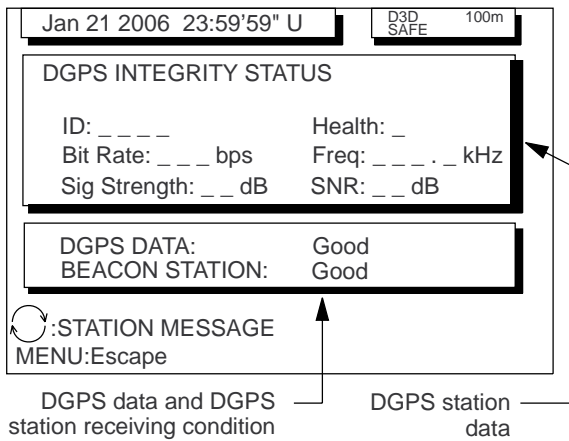


Number, bearing and elevation angle of all satellites in view of the GPS receiver appear. Satellites being used in fixing position are circled with a solid line; satellites not being used in fixing position are circled with a dashed line.



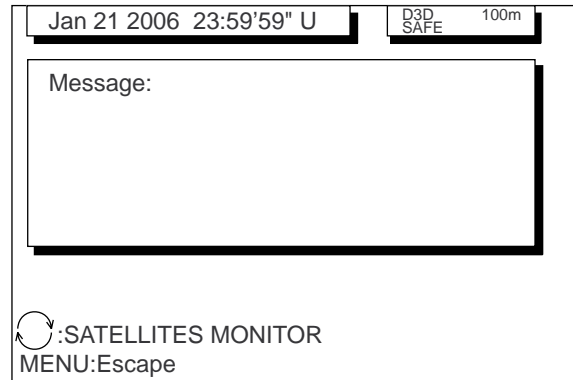
SATELLITES MONITOR

Press [↻].



DGPS INTEGRITY STATUS

Press [↻].



STATION MESSAGE

Press [↻].

Return to SATELLITES MONITOR

Figure 8-29 GPS monitor displays

## 8. MENU SETTINGS

*This page is intentionally left blank.*

# 9. MAINTENANCE & TROUBLESHOOTING

## 9.1 Clearing the Memory

The GP-150-DUAL has two memories: GPS memory and plotter memory.

### Clearing the plotter memory

The plotter memory holds plotted track and mark data. When you clear the plotter memory, all tracks and marks are cleared and all corresponding defaults settings are restored.

- 1) Press **MENU ESC, 9** and **9** to display the CLEAR MEMORY menu.

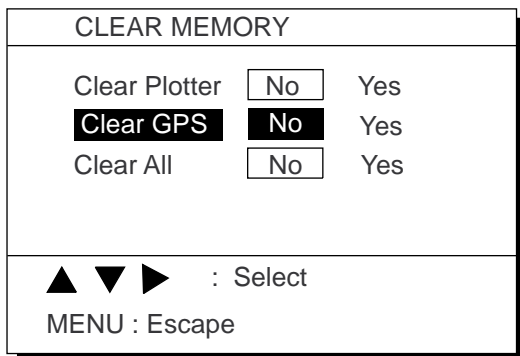


Figure 9-1 CLEAR MEMORY menu

- 2) Press **▲** to select Clear Plotter.
- 3) Press **►** to select Yes. The following message appears.

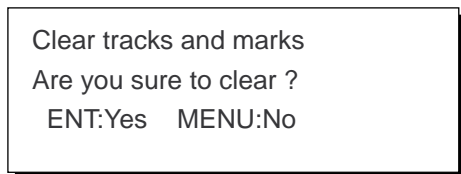


Figure 9-2

- 4) Press the **NU/CU ENT** key.

### Clearing the GPS memory

The GPS memory stores GPS information, including the Almanac. When you clear the GPS memory, all GPS information is erased.

- 1) Press **MENU ESC, 9** and **9** to display the CLEAR MEMORY menu.
- 2) Press **▲** or **▼** to select Clear GPS.
- 3) Press **►** to select Yes. The following message appears.

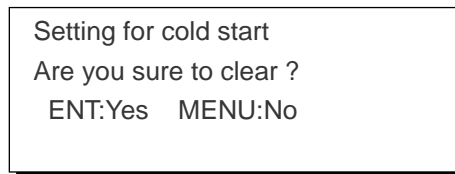


Figure 9-3

- 4) Press the **[NU/CU ENT]** key.

### Clearing GPS and plotter memories

To clear both GPS and plotter memories;

- 1) Press **MENU ESC, 9** and **9** to display the CLEAR MEMORY menu.
- 2) Press **▼** to select Clear All.
- 3) Press **►** to select Yes. The message shown in Figure 9-4 appears.

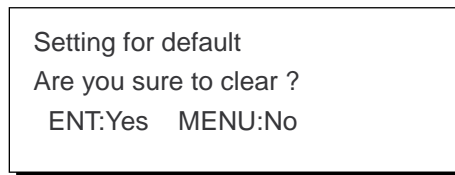


Figure 9-4

- 4) Press the **NU/CU ENT** key.

**Note:** The equipment may lock after clearing the GPS and plotter memories. Reapply power to the equipment to restore normal operation.

## 9.2 Preventive Maintenance

Regular maintenance is necessary to maintain performance. Check the items mentioned below monthly to keep the equipment in good working order.

### NOTICE

**Do not apply paint, anti-corrosive sealant or contact spray to coating or plastic parts of the equipment.**

Those items contain organic solvents that can damage coating and plastic parts, especially plastic connectors.

**For the LCD screen, wipe the LCD carefully to prevent scratching, using tissue paper and an LCD cleaner. To remove dirt or salt deposits, use an LCD cleaner, wiping slowly with tissue paper so as to dissolve the dirt or salt. Change paper frequently so the salt or dirt will not scratch the LCD. Do not use solvents such as thinner, acetone or benzene for cleaning. Also, do not use degreaser or antifog solution, as they can strip the coating from the LCD.**

### Antenna unit

Check fixing bolts for tightness.

### Antenna cable

Check connector for tightness, rust, damage and water leaks.

### Power cable

Check for tight connection.

### Ground terminal

Check for rust and tight connection.

### Fuse

The 2A fuse (Type: FGBO-A 2A AC125V, Code No.: 000-549-062) in the power cable protects the unit from overvoltage and equipment fault. If the fuse blows, find out the cause before replacing the fuse. If the fuse blows after replacement, request service.



## WARNING

**Use only a 2A fuse in the power cable.**

Use of different fuses may cause fire.

### Battery

A battery installed on the NP board inside the display unit preserves date when the power is turned off. The life of the battery is about three years. When the battery voltage is low "NG" appears on the start-up display. When this happens, contact your dealer to request replacement of the battery.

	Type	Code Number
Lithium Battery	CR2450-F2ST2L	000-144-941

## 9.3 Error Messages

Error messages appear on the display to alert you to possible trouble.

### GPS error

When the GPS signal is suddenly lost and position cannot be calculated within one second the message shown in Figure 9-5 appears.

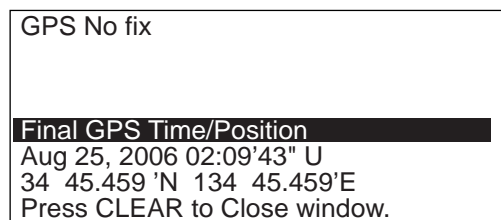


Figure 9-5 GPS error message

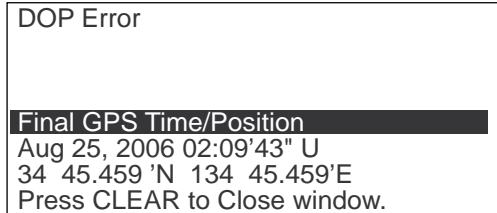
This message may appear when there is an interfering object between the satellite and GPS receiver (for example, mast) or the antenna cable is disconnected.

Press the **CLEAR** key to silence the buzzer. If the **CLEAR** key is not pressed, several beeps sound every three minutes.

Error message disappears automatically when normal operation is restored.

### DOP error

When PDOP value exceeds 6 in the 3D mode, or HDOP value exceeds 4 in the 2D mode, this error occurs and the following message appears.



*Figure 9-6 DOP error message*

Press the **CLEAR** key to silence the buzzer. If the **CLEAR** key is not pressed, several beeps sound every three minutes.

Error message disappears automatically when normal operation is restored.

### DGPS error

When the DGPS alarm is active and DGPS data contains errors or the DGPS beacon station is experiencing transmitting problems, the message shown in Figure 9-7 appears. Normal operation is restored when DGPS signal is acquired.

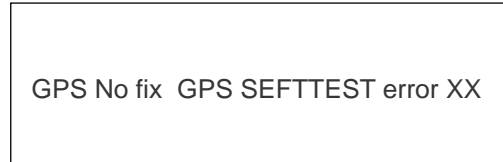


*Figure 9-7 DGPS error message*

Refer to DGPS INTEGRITY STATUS in “8.7 Display GPS Monitor Displays” to confirm DGPS Beacon station status.

### Self test error message

If the self test (conducted when turning on the power) finds equipment error, the message shown in Figure 9-8 appears.



*Figure 9-8 Self test error message*

If the self test error message appears, consult your dealer for advice.

## 9.4 Troubleshooting

The table which follows provides troubleshooting procedures which you can follow to restore normal operation. If normal operation cannot be restored, ask your dealer for advice.

*Table 9-1 Troubleshooting table*

If...	Then...									
you cannot turn on the power	<ul style="list-style-type: none"> <li>• check power connector for tight connection.</li> <li>• check if ship's main is off.</li> <li>• check for blown fuse.</li> </ul>									
position cannot be fixed	<ul style="list-style-type: none"> <li>• check antenna cable for tight connection and water leakage.</li> <li>• check if functional satellite has been disabled: <b>MENU ESC, 9, 6</b></li> </ul>									
position is wrong	<ul style="list-style-type: none"> <li>• Check if correct geodetic chart is entered: <b>MENU ESC, 9, 6</b></li> <li>• apply position correction to GPS position: <b>MENU ESC, 9, 6</b></li> </ul>									
position sometimes cannot be fixed	<ul style="list-style-type: none"> <li>• DOP figure may be too small. Enter larger figure; 20 is the usual setting.</li> </ul>									
data cannot be transmitted to external equipment	<ul style="list-style-type: none"> <li>• check if data format is correct: <b>MENU ESC, 9, 3 (9, 4 or 9, 5)</b> See the chapter on installation for further details.</li> <li>• tx interval may be set to "0". Select proper interval. <b>MENU ESC, 9, 3 (9, 4 or 9, 5)</b> See chapter on installation for further details.</li> <li>• check appropriate settings on external equipment.</li> <li>• check connections:  <table style="margin-left: 20px; border: none;"> <tr> <td style="text-align: left;"><u>GP-150-DUAL</u></td> <td style="text-align: center;">↔</td> <td style="text-align: left;"><u>Ext. equipment</u></td> </tr> <tr> <td>TXD-H</td> <td style="text-align: center;">↔</td> <td>RXD-H</td> </tr> <tr> <td>TXD-C</td> <td style="text-align: center;">↔</td> <td>RXD-C</td> </tr> </table> </li> </ul>	<u>GP-150-DUAL</u>	↔	<u>Ext. equipment</u>	TXD-H	↔	RXD-H	TXD-C	↔	RXD-C
<u>GP-150-DUAL</u>	↔	<u>Ext. equipment</u>								
TXD-H	↔	RXD-H								
TXD-C	↔	RXD-C								

## 9.5 Diagnostic Tests

### Memory and I/O port test

- 1) Press **MENU ESC** and **8** to display the SELF TESTS menu.

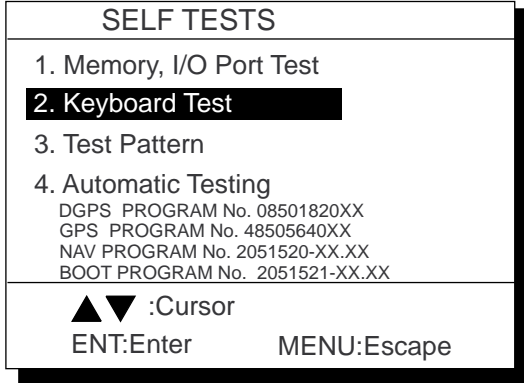


Figure 9-9 Diagnostic TESTS menu

**Note:** Program version No. shown as "xx" is a field which denotes minor changes and is subject to change under responsibility of the manufacturer.

- 2) Press **1**.

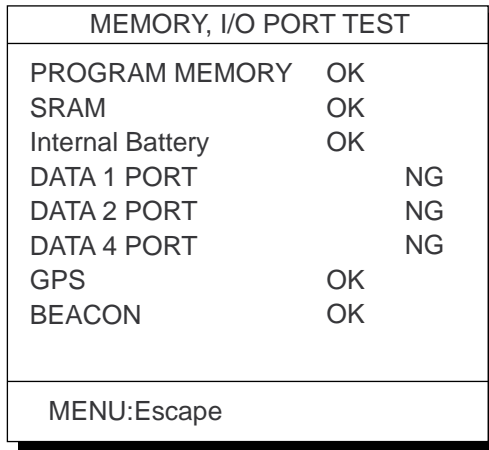


Figure 9-10 MEMORY, I/O PORT TEST display

- 3) When testing is finished, press the **MENU ESC** key to escape and return to the SELF TESTS menu. (Testing continues if the key is not pressed.) OK appears to the right of PROGRAM, SRAM and Internal Battery when those devices are normal; NG (No Good) appears when an abnormality is found.

OK appears to the right of GPS and BEACON when they are normal; NG and 16 hexadecimal figure appear when an abnormality is found.

Whenever NG or 16 hexadecimal figure appears contact your dealer for advice.

DATA 1 PORT, DATA 2 PORT and DATA 4 PORT show results of communication interface test. A special test connector is required to test those ports. NG appears as the results of the self test when there is no test connector attached.

- 4) Press the **MENU ESC** key to escape.

### Keyboard test

- 1) Press **MENU ESC**, **8** and **2** to display the KEYBOARD TEST screen.

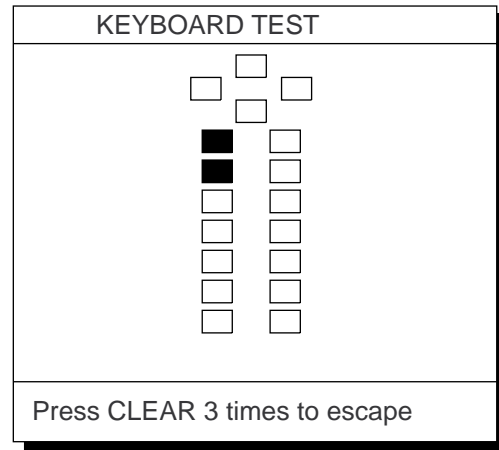


Figure 9-11 KEYBOARD TEST screen

- 2) Press each key one by one. A key's corresponding location on the screen lights in reverse video if the key is normal.
- 3) To quit the keyboard test, press the **CLEAR** key three times. Control is returned to the SELF TESTS menu.
- 4) Press the **MENU ESC** key.

### Display test

- 1) Press **MENU ESC**, **8** and **3** to display the test pattern screens.
- 2) To change the test pattern, press the **NU/CU ENT** key. Each time the key is pressed one of the patterns shown in Figure 9-12 appears.

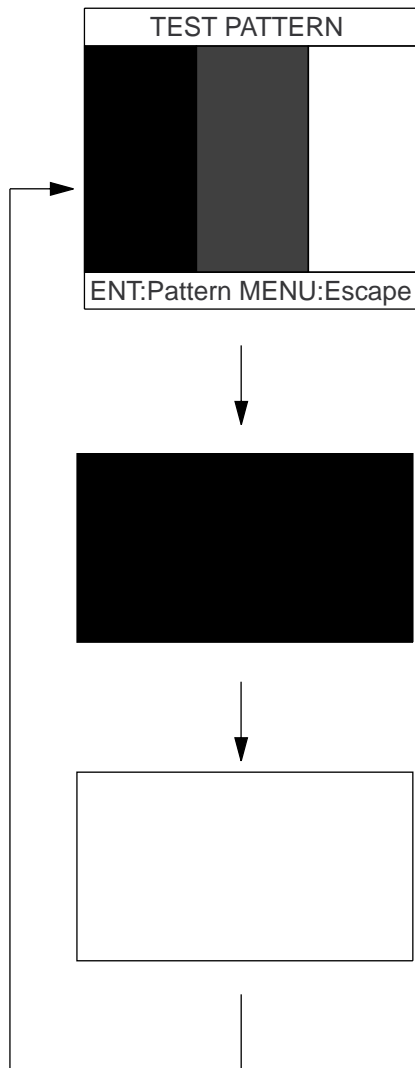


Figure 9-12 Test patterns 1 and 2

- 3) Press the **MENU ESC** key.

### Automatic testing

This feature conducts all self tests continuously.

- 1) Press **MENU ESC**, **8** and **4**. Self tests are conducted continuously in the order of memory, I/O test, keyboard test and test pattern.
- 2) To stop testing, press the **MENU ESC** key.
- 3) Press the **MENU ESC** key.

## 9.6 Interface Unit IF-2500

### Fuse replacement

If the fuse blows, find the cause of the problem before replacing it. Do not use a fuse rated more than 0.5A, since it may cause more serious damage to the equipment.

### Self test 1

The unit performs an internal self-check in the following sequence each time power is turned on.

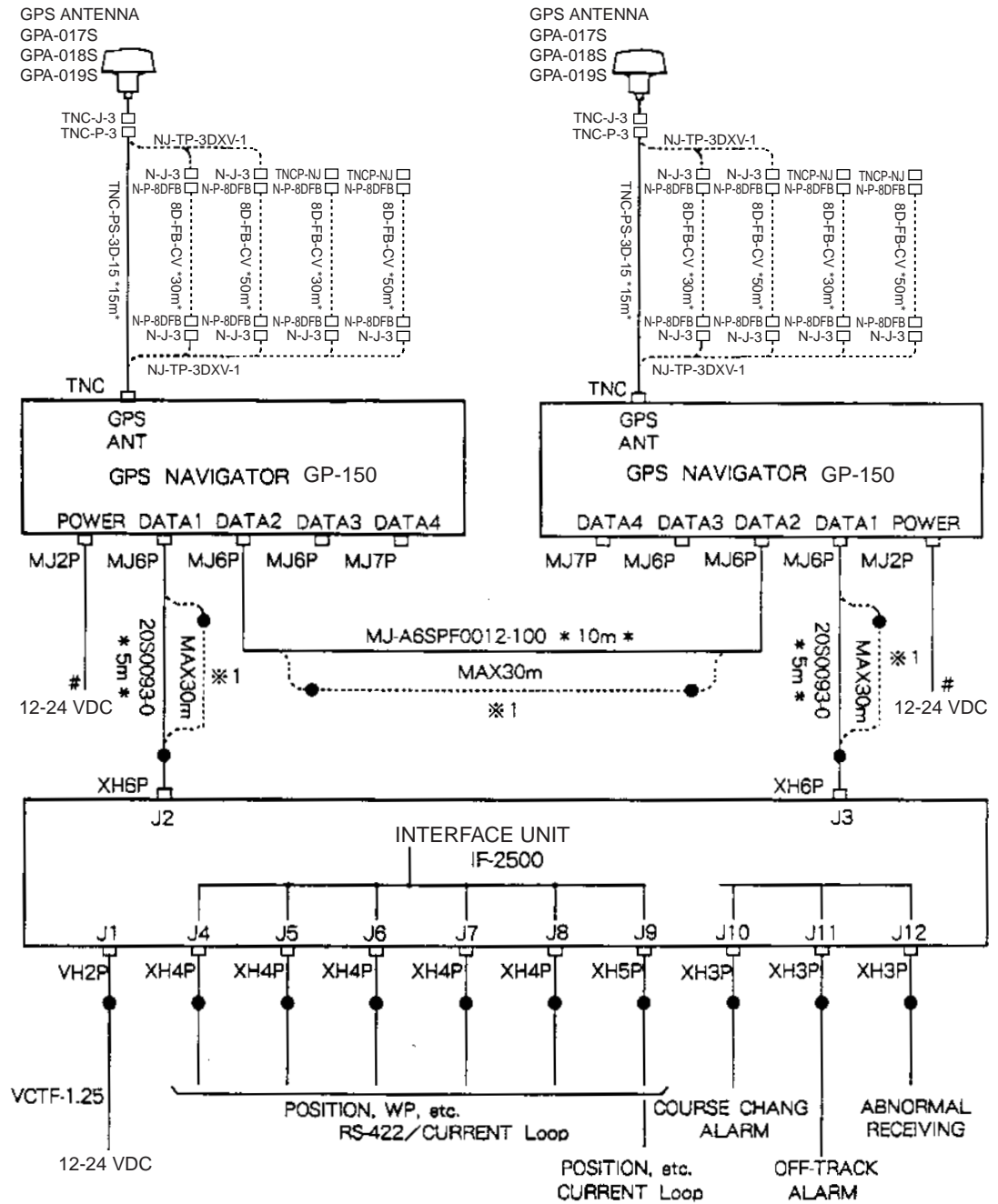
- 1) LEDs CR7 to CR10 blink twice every 2 seconds.
- 2) ROM and RAM are tested.
- 3) LED CR6 blinks every second for normal operation. If an error is detected during the test, the corresponding LED is turned on.
  - When CR7 is on, ROM is defective.
  - When CR8 is on, RAM is defective.



# 10. INSTALLATION

## 10.1 General

The figure below shows the system configuration of the GP-150-DUAL.  
For MD-GB2 connection, see the interconnection diagram attached at back of this manual.



- 1) #: MJ-A2SPF004-030 \*3m\*
- 2) Cable type is CO-SPEVV-SB-C 2P or equivalent, unless noted otherwise.
- 3) \*1: Interface Unit IF-1422 is required if cable length is more than 30 m.

Figure 10-1 System Configuration

## 10.2 Display Unit

The display unit can be installed using either of four methods as shown below. Refer to the outline drawing page D-1, D-2, and D-3.

- Locate the unit away from exhaust pipes and vents.
- The mounting location should be well ventilated.
- Mount the unit where shock and vibration are minimal.
- Keep the display unit away from electromagnetic field generating equipment such as motor, generator.
- Allow sufficient maintenance space and a sufficient slack in cables for maintenance and repair.

### Table Top and Overhead Mounting

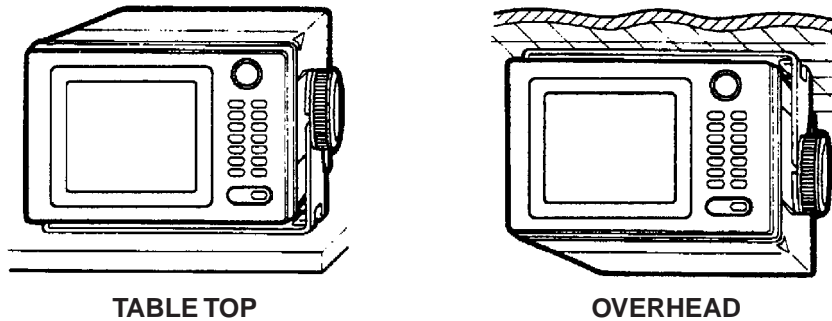


Figure 10-2 Display unit mounting methods

#### **Flush mounting type F**

An optional flush mount kit type F is required. For details, see outline drawing page D-3. (Name: Flush Mount Kit F, Type: OP20-25, Code No.: 004-393-280)

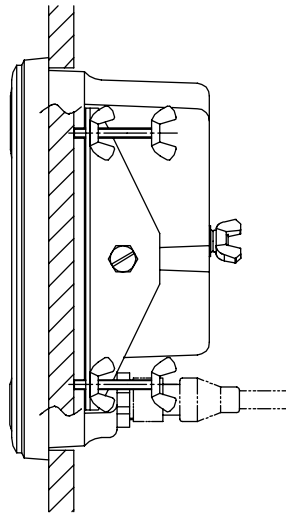
Name	Type	Code No.	Qty
Self-tapping screw	5X20	000-162-609-10	4
Hex. bolt	M6X12 SUS304	000-162-897-10	2
Spring washer	M6 SUS304	000-158-855-10	2
Cosmetic panel	20-013-1121	100-234-240	1

### **Flush mounting type S**

An optional flush mount kit type S is required. (Name: Flush Mount Kit S, Type: OP20-24, Code No.: 004-393-000)

Name	Type	Code No.	Qty
Wing bolt	M4X30 YBSC2	000-804-799	4
Hex. bolt	M6X12 SUS304	000-162-897-10	2
Wing nut	M4 YBCS2	000-863-306	4
Spring washer	M6 SUS304	000-158-855-10	2
Flush mount metal	20-013-1111	100-234-230	2

1. Prepare a cutout in the mounting location whose dimensions are 242 (W) X 152 (H) mm.
2. Insert the unit to the cutout.
3. Attach two flush mount metals to the unit with two hex bolts (M6X12) and two spring washers.
4. Screw four wing bolts to wing nut.
5. Fasten the unit with four wing bolts assembled at step 4, and then tighten nuts.



## 10.3 Antenna Unit

### Mounting

Install the antenna unit referring to the installation diagram on page D-4. When selecting a mounting location for the antenna unit, keep in mind the following points.

- **Select a location out of the radar beam.** The radar beam will obstruct or prevent reception of the GPS satellite signal.
- **Be sure the location offers a clean line-of-sight to satellite.** Objects within line-of-sight to a satellite, for example, a mast or funnel, block reception and cause prolonged acquiring time or interruption of position fix.
- **Mount the unit as high as possible.** Mounting the antenna as high as possible keeps it free of water spray, which can interrupt or prevent reception of GPS satellite signal, if water spray is frozen.
- **The antenna unit GPA-018S must be grounded.** Connect ground wire of 1.25 sq or larger (local supply) between the antenna unit and a stainless steel screw fastened to the mast.
- **The antenna unit GPA-018S must be taped.** See next page.
- **The antenna unit should be fixed to the mast as below.**



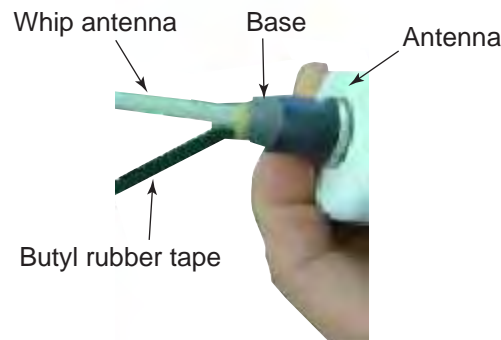
## Taping antenna unit GPA-018S

After inserting the whip antenna to the antenna base of GPA-018S, tape the antenna base and whip antenna with self-vulcanizing tape and vinyl tape to reinforce the whip antenna.

1. Wrap the antenna junction point with butyl rubber tape No. 15 (NITTO SINKO COOP.) or the equivalent.

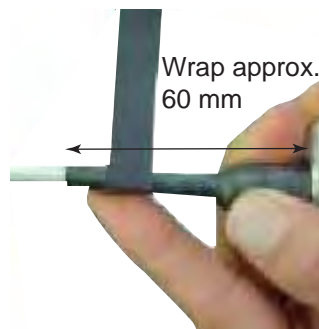
### How to wrap

- 1) Pull the tape to be about two times in length and wind it up, overlapping by 1/2 the width of the tape.
- 2) Wrap from bottom to top, i.e., from right to left as in the picture below.



- 3) Wrap the tape from the base to a point about 60 mm, and then back to the base.

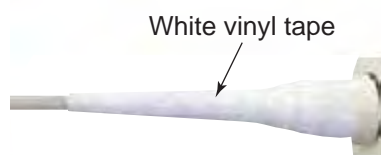
Keep tension on edge of tape, using finger to hold tape. Then, squeeze edges of tape with thumb and index finger.



2. Completely cover the butyl rubber tape with white vinyl tape, wrapping from the base to the last wind of butyl rubber tape and then back to the base.

### How to wrap

- 1) Being careful not to pull the tape too tightly, wind tape, overlapping by approx. 1/3 of tape width.
- 2) Squeeze edges of tape with thumb and index finger.

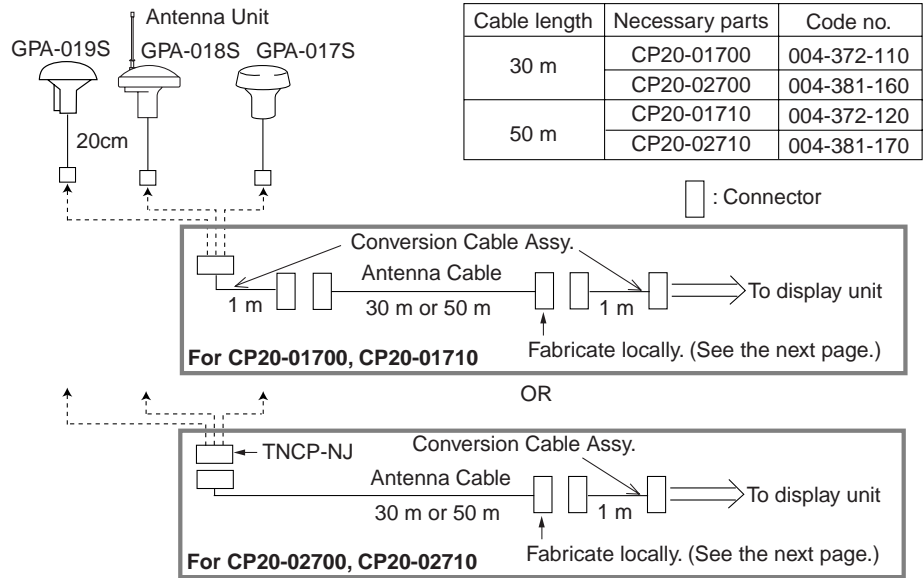


### Extending antenna cable length

The standard cable is 15m long. 30m and 50m long extension cable sets are optionally available.

◆ **Extension cable line-up**

Fabricate the end of antenna cable and attach the coaxial connector. Details are shown on the next page.



#### Extension Cable Line-up

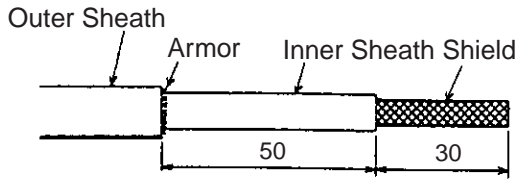
◆ **Waterproofing the connector**

Wrap connector with vulcanizing tape and then vinyl tape. Bind the tape end with cable-tie.

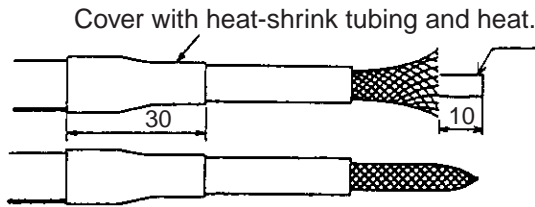


*How to waterproof the connector of the antenna cable*

**How to attach the N-P-8DFB connector**

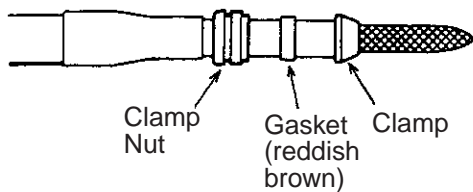


Remove outer sheath and armor by the dimensions shown left. Expose inner sheath and shield by the dimensions shown left.

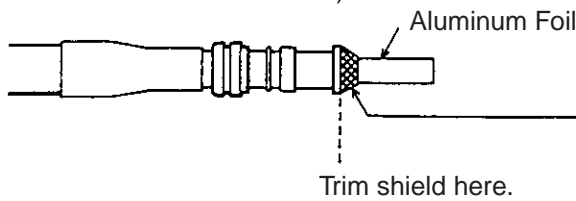


Cut off insulator and core by 10mm.

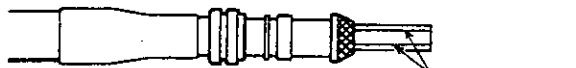
Twist shield end.



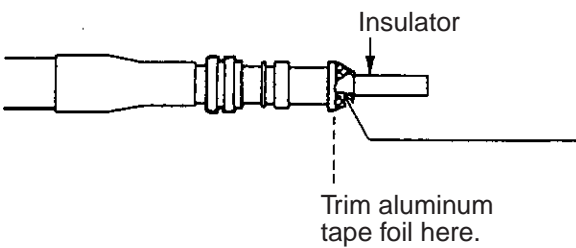
Slip on clamp nut, gasket and clamp as shown left.



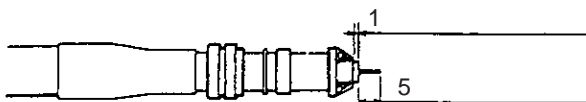
Fold back shield over clamp and trim.



Cut aluminum foil at four places, 90° from one another.

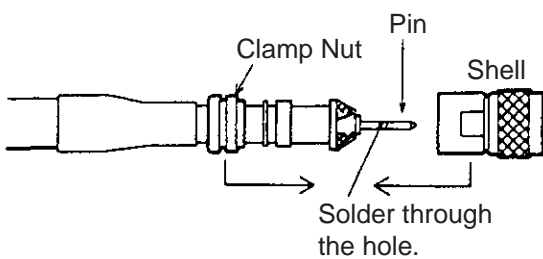


Fold back aluminum foil onto shield and trim.



Expose the insulator by 1mm.

Expose the core by 5mm.

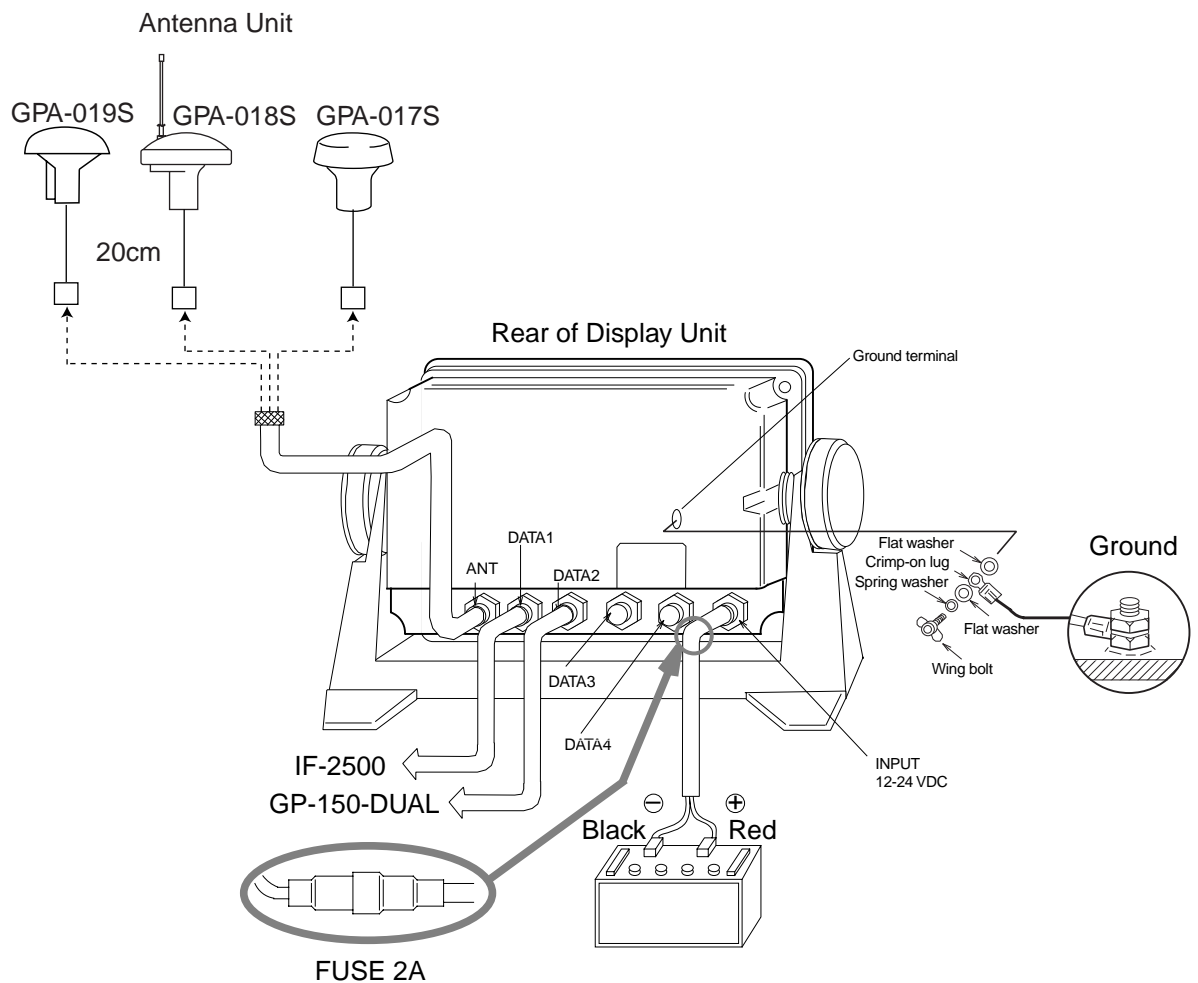


Slip the pin onto the conductor. Solder them together through the hole on the pin.

Insert the shell into the pin. Screw the clamp nut into the shell. (Tighten by turning the clamp nut. Do not tighten by turning the shell.)

## 10.4 Wiring

The figure below shows the connection of cables on rear of display unit.



Connection of cables on display unit

### Grounding

The display unit contains several CPUs. While they are operating, they radiate noise, which can interfere with other radio equipment. Ground the unit as follows to prevent it.

- The grounding wire should be 1.25sq or larger.
- The grounding wire should be as short as possible.



## 10.5 Initial Settings

The GP-150-DUAL can output navigation information to external equipment through the Interface Unit IF-2500. For example, it can output position data to a radar or echo sounder for display on their screen.

Before selecting data to output, confirm what data the external equipment requires. Output necessary data only. Outputting unnecessary data can cause receiving problems at the external equipment.

### Talker

All data transmitted by marine electronics equipment is prefixed with a two-character code which tells external equipment what equipment is transmitting data. This two-character code is called the "talker." The GP-150-DUAL contains the talkers GP, LC and DE.

#### **Data format and data output availability**

The type of data which can be transmitted depends on format. Output data sentence of IEC 61162-1 and NMEA 0183 Ver. 1.5/Ver. 2.0.

AAM:	Waypoint arrival alarm
APB:	Autopilot sentence B magnitude of cross track error, direction to steer, arrival alarm, bearing to waypoint ("Heading to steer to destination waypoint data" not used)
BOD:	Bearing-origin to destination
BWC:	Bearing and distance to waypoint-great circle
BWR:	Bearing and distance to waypoint-rhumb line
BWW:	Bearing-waypoint to waypoint
DTM:	Datum reference
GGA:	Global positioning system (GPS) fix data time of fix, latitude, longitude, quality indicator, number of satellites in use, DOP, altitude, geoidal separation ("age of dgps data" and "differential reference station ID" not used)
GLL:	Geographic position-latitude/longitude

## 10. INSTALLATION

GNS: GNSS fix data  
GPS: GPS satellite fault detection  
RMB: Recommended minimum navigation information. Cross-track error, direction to steer, origin and destination waypoint latitude and longitude, range and bearing of destination waypoint, destination closing velocity, arrival alarm.  
RMC: Recommended minimum specific GPS/TRANSIT data. UTC of position fix, latitude and longitude, ground speed and course, data, magnetic variation  
RTE: Routes  
VTG: Course over ground and ground speed  
WCV: Waypoint closure velocity  
WNC: Distance-waypoint to waypoint-great circle  
WPL: Waypoint location  
XTE: Cross-track error, measured  
ZDA: Time and data

Also, the following NMEA 0183 Ver. 1.5 sentences are output

APA: Autopilot sentence "A". Magnitude of cross-track error, direction to steer, arrival alarm, bearing origin to destination.  
WNR: Distance-waypoint to waypoint-rhumb line

**Note:** BWC, BWR, GGA, GLL, RMB, RMC or WPL is required to output DTM.

### Input data sentence of NMEA 0183 Ver. 1.5/2.0

Checksum is checked if attached, and if any error is found, the sentence becomes invalid. Talker ID is not distinguished.

DBT: Depth below transducer  
\$--DBT, 1234.5 f, 1234.5, M, 1234.5  
F\*12<CR><LF>  
a b c d e f g  
a, b: Water depth, feet  
c, d: Water depth, m  
e, f: Water depth, fathoms  
g: Checksum

DPT: Depth  
\$--DPT, 1234.5 1234.5, 1234.5\*23<CR><LF>,  
a b c  
a: Water depth relative to the transducer, meters  
b: Offset from transducer, meters... not used  
c: Checksum

MTW: Water temperature  
\$--MTW, 23.4, C\*34<CR><LF>  
a b c  
a: Temperature: degrees, C  
c: Checksum

TLL: Target latitude and longitude  
 \$--TLL, 00, 3445.678, N, 13521.234, E, abcd,  
 121530, T  
                   a      b      c          d      d      f      g  
                   h  
 R\*A5<CR><LF>  
 a: Target number... not used  
 b, c: Latitude  
 d, e: Longitude  
 f: Target name... not used  
 g: UTC... not used  
 h: Target status... not used  
 i: Reference target... not used  
 j: Checksum

FURUNO proprietary sentences

AGFPA: Autopilot information from FURUNO autopilot

Port	Input	Output
DATA1	NMEA 0183 Ver. 1.5/2.0  AGFPA, DBT, DPT, MTW, TTL	IEC 61162-1/NMEA 0183 Ver. 1.5/2.0  AAM, APA, APB, BOD, BWC, BWR, BWW, GGA, GLL, GNS, RMB, RMC, VTG, WCV< WNC, WNR, WPL, XTE, ZDA, GBS, Rnn, RTE
DATA3	External MOB	LOG PULSE  Same as for DATA1.
DATA4	DGPS or general data (selected through menu)	General data  IEC 61162-1/NMEA 0183 Ver. 1.5/2.0  AAM, APA, APB, BOD, BWC, BWR, BWW, GGA, GLL, GNS, RMB, RMC, VTG, WCV< WNC, WNR, WPL, XTE, ZDA, GBS, Rnn, RTE

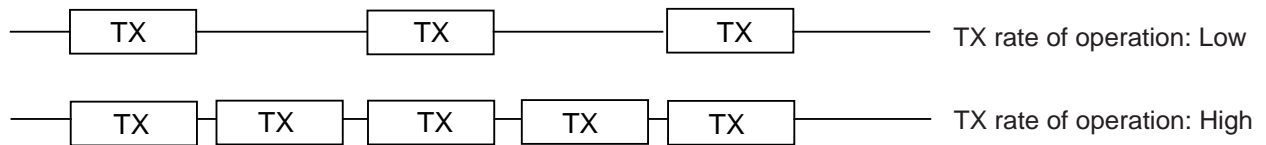
**Note:** BWC, BWR, GGA, GLL, RMB, RMC or WPL is required to output DTM.

**General data**

- 1) **Input of lighthouse/buoy information:** Floppy disk stored lighthouse/buoy information is supplied from PC connected to DATA4 port.
- 2) **Input of waypoint data:** Connect YEOMAN to DATA4 port
- 3) Input and output of waypoint/route data

**TX Rate of operation**

The TX rate or operation is the percentage of data output in one second, and it appears on the screen. If short intervals are assigned to many sentences, the rate of operation increases as illustrated below.



**Note 1:** When outputting data without rest intervals between data, TX rate of operation is 100%. In this case, wrong data may be shown on the receiver because it cannot recognize intervals between data. Thus, do not output unnecessary data or set TX interval to large value so that TX rate of operation becomes small.

**Note 2:** When the external equipment cannot display correct data input from the GP-150, the rate of operation should be lowered. For example, set a rate of operation less than 60 % for the Temperature Indicator TI-20.

## DATA1 output setting

- 1) Press **MENU ESC**, **9** and **3** keys to show the DATA1, 3 OUTPUT SETUP menu.

DATA 1, 3 OUTPUT SETUP			
Data Fmt.	V1.5	<b>V2.0</b>	IEC
Talker ID	<b>GP</b>	LC	DE
Output Data (00-90 sec)	82%	← TX rate of operation	
1.	AAM:00	APA:00	APB:04 BOD:00
2.	BWC:00	BWW:00	GGA:01 GLL:01
3.	RMB:01	RMC:00	VTG:01 WCV:00
4.	VDR:00	WPL:00	XTE:00 ZDA:01
5.	GNS:00	GBS:01	Rnn:00 RTE:00
DATA3. Log Pulse	<b>200ppm</b>	400ppm	
ENT : Enter		MENU : Escape	

This line appears only when LOG is selected by internal jumper blocks.

Settings shown above are default settings.

### *DATA1, 3 OUTPUT SETUP menu*

- 2) Press **▲** to select DATA FMT.
- 3) Press **◀** or **▶** to select V1.5, V2.0 or IEC.
- 4) Press the **CU/NU ENT** key. Talker ID appears in reverse video.
- 5) Press **◀** or **▶** to select GP, LC or DE.
- 6) Press the **CU/NU ENT** key.
- 7) Enter TX interval for each output data sentence in line 1. TX interval is available in 00, 01, 02, 03, 04, 05, 06, 10, 15, 20, 30, 60 and 90 msec.
- 8) Press the **MENU ENT** key.
- 9) Enter TX interval for each output data sentence in lines 2 through 5. Press the **CU/NUENT** key after setting each line.

In great circle calculation, BWC and WNC are output but BWR and WNR are not. In rhumb line navigation, BWR and WNR are output but BWC and WNC are not. The total data output are shown by percentage on the third line.

For best results the total output should be less than 90%; lengthen the Tx interval of less important data to make the total output less than 90%.

## DATA 3 output setting

The DATA 3 can output NMEA 0183 (V1.5/V2.0) /IEC 61162-1 data or log pulse depending on jumper block setting on the NAV board. For NMEA 0183 (V1.5/V2.0) /IEC 61162-1, the same signal of DATA 1 is output from DATA 3.

### Selection of NMEA0183 or log pulse

Output data NP board	NMEA 0183 (V1.5/ V2.0)/IEC 61162-1 (Default Setting)	Log pulse
JP3	#1-2	#2-3
JP4	#1-2	#2-3
JP10	#1-2	#2-3

### Rate of log pulse output

150 mA Max.  
50 VDC

### Procedure for setting of log pulse rate

- 1) Press **ESC MENU, 9** and **3**.
- 2) Press **▼** to select DATA 3. Log Pulse.
- 3) Press **◀** or **▶** to select log pulse for external equipment; 200ppm or 400ppm.
- 4) Press the **CU/NU ENT** key.
- 5) Press the **MENU ESC** key.

## Setting DATA 4 to Data Output

- 1) Press **MENU ESC, 9** and **5** to show the DATA4 I/O SETUP menu.

DATA 4 I/O SETUP		1/2
<b>DATA 4. Level</b>	<b>RS232C</b>	RS422
Data	Out	Com. DGPS
To Next Page		
▲▼◀▶ : Select ENT : Enter      MENU : Escape		

Appears only when external DGPS receiver is used.

*DATA4 I/O SETUP menu*

- 2) Press ▲ to select DATA 4. Level.
- 3) Press ◀ or ▶ to select level of external equipment; RS-23C or RS422.
- 4) Press the **CU/NU ENT** key.
- 5) Press ◀ or ▶ to select Out.
- 6) Press ▼ to go to the next page to show the DATA I/O SETUP <Out> menu.

DATA 4 I/O SETUP <Out>		2/2
To Previous Page		
<b>Data Fmt.</b>	V1.5	V2.0 <b>IEC</b>
Talker ID	GP	LC DE
Output Data	(00-90 sec)	98%
1.	AAM:00 APA:00	APB:04 BOD:00
2.	BWR:00 BWW:00	GGA:00 GLL:01
3.	RMB:01 RMC:00	VTG:01 WCV:00
4.	WNR:00 WPL:00	XTE:00 ZDA:01
5.	GNS:00 GBS:01	Rnn:00 RTE:00
ENT : Enter      MENU : Escape		

*DATA4 I/O SETUP <Out> menu*

- 7) Follow "DATA 1 output setting" from step 2.

## Setting DATA 4 to "COM." (general data)

Waypoint data can be received from a personal computer, through the DATA 4 port. Note that the data transmitting operation should be done after receiving data using DATA 4 port. For details, see page 1-6.

- 1) Press **MENU ESC, 9** and **5**.
- 2) Press **▲** to select Level.
- 3) Press **◀** or **▶** to select level of personal computer; RS232C or RS422.
- 4) Press the **CU/NU ENT** key.
- 5) Press **◀** or **▶** to select Com.
- 6) Press **▼** to select To Next Page. The DATA 4 I/O SETUP <Com.> menu appears.

```

Loading erases current data
Are you sure to load?

ENT: Yes  MENU: No
  
```

*I/O SETUP <Com.> menu*

- 7) Press **▲** to select Baud Rate.
- 8) Press **◀** or **▶** to select baud rate; 4800bps, 9600bps, or 19200bps.
- 9) Press the **CU/NU ENT** key.
- 10) Press **▲** to select WPT/RTE.
- 11) Press **▼** to select Command. Stop, on the same line as Command, appears in reverse video.
- 12) Press **▼** to select Start. The message shown in below appears.

```

Now loading
WPT/RTE data !

MENU: Stop
  
```

- 13) Press the **CU/NU ENT** key. The message shown in below appears while data is being loaded.

```

Are you sure to stop ?

ENT: Yes  MENU: No
  
```

- 14) Output data from the computer. When data is loaded, the cursor shifts to Stop.
- 15) Press the **ESC** key.



## Setting DATA 4 to DGPS

An external DGPS receiver can be connected to the DATA 4 port. Follow the procedure below to setup the GP-150-DUAL according to the specifications of the DGPS receiver.

- 1) Press **MENU ESC, 9** and **5**.
- 2) Press **▲** to select Level.
- 3) Press **◀** or **▶** to select level; RS232C or RS422.
- 4) Press the **CU/NU ENT** key.
- 5) Press **▶** to select DGPS.
- 6) Press **▼** to select To Next Page.

DATA 4 I/O SETUP <DGPS> 2/2			
To Previous Page			
<b>First Bit</b>	MSB	<b>LSB</b>	
Parity	<input type="text" value="EVEN"/>	ODD	NONE
Stop Bit	<input type="text" value="1"/>	2	
Baud Rate	<input type="text" value="4800"/>	9600	
▲▼◀▶ : Select			
ENT: Enter MENU: Escape			

*I/O SETUP <DGPS> 2/2 menu*

- 7) Press **▲** or **▼** to select First Bit.
- 8) Press **◀** or **▶** to select first bit; MSB or LSB.
- 9) Press **▼** to select Parity.
- 10) Press **◀** or **▶** to select parity bit; EVEN, ODD or NONE.
- 11) Press **▼** to select Stop Bit.
- 12) Press **◀** or **▶** to select stop bit; 1 or 2.
- 13) Press **▼** to select Baud Rate.
- 14) Press **◀** or **▶** to select baud rate; 4800 or 9600.
- 15) Press the **CU/NU ENT** key.
- 16) Press the **MENU ESC** key.

## 10.6 Interface Unit IF-2500

### Specifications

Input port	2 ports for NMEA 0183 data
Output port	6 ports for either of NMEA 0183 or RS-422 data 3 ports for alarm signal
Power supply	10 to 35 VDC
Power consumption	2.2 W maximum
Color	2.5G5/1.5 Newton no. 5
Ambient temperature	-15°C to +55°C
Humidity	Relative humidity 95% at +40°C
Waterproofing	None

### Installation

#### Mounting considerations

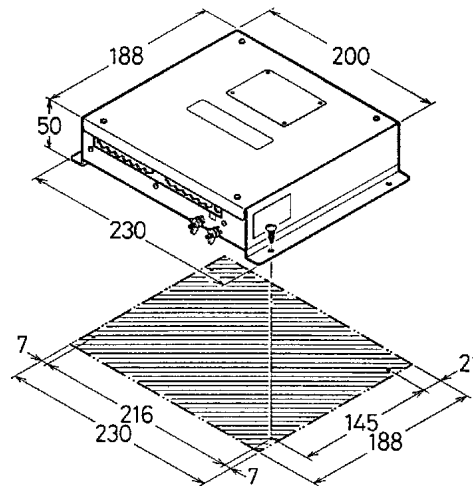
The installation site is important for proper operation and continued performance. Select it keeping the following points in mind.

**The unit is not waterproof;** locate it away from water spray.

Select a clean and cool place.

Select a place where shock, vibration and electrical noise are minimal.

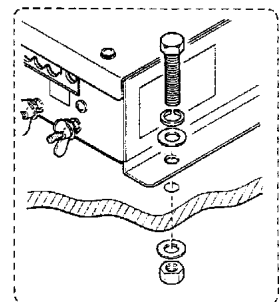
Leave sufficient space at the sides and rear of the unit for maintenance and service.



#### Mounting

The unit can be mounted on a bulkhead, overhead or tabletop. Secure the unit to mounting location with woodscrews. For added support, use nuts, bolts and washers instead of woodscrews.

- All dimensions in millimeters.
- For added support, use nuts, bolts and washers instead of woodscrews.
- Leave sufficient space at the sides and rear of the unit for maintenance and servicing.

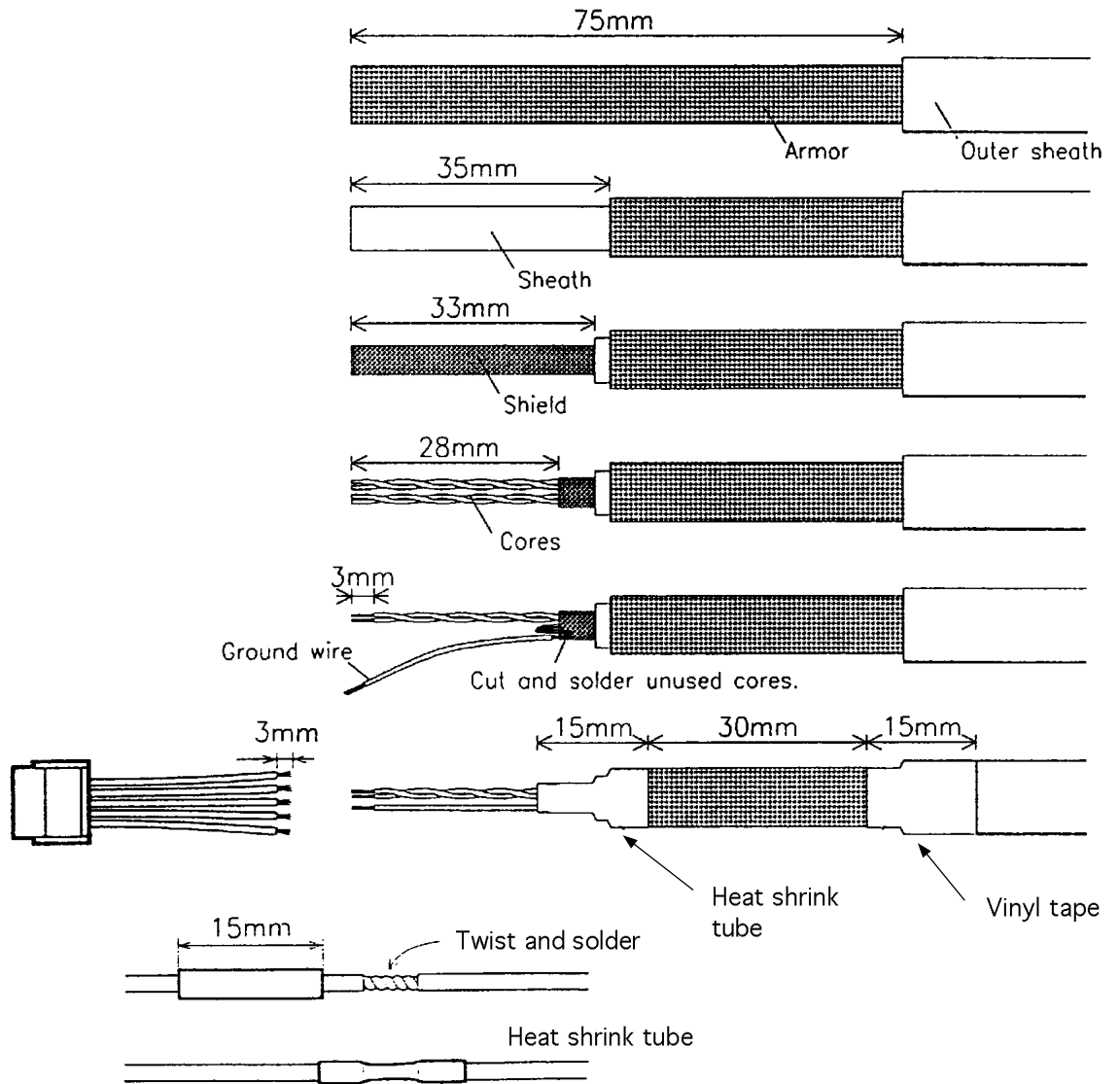


*Interface unit mounting*

#### Cable fabrication

- 1) Remove the outer sheath, armor, and shield as illustrated.
- 2) Remove the insulation of cores 3 mm.
- 3) Cut and solder unused cores to the shield.

- 4) Solder a ground wire to the shield.
- 5) Dress the shield and the outer sheath with heat shrink tube, leaving 30 mm of shield and outer sheath exposed.
- 6) Heat the heat shrink tube.
- 7) Remove the insulation of NH connector (supplied) 3 mm.
- 8) Heat the heat shrink tube.



*How to fabricate the signal cable*

**Grounding**

To prevent electrical shock and mutual interference, run a ground wire between the earth terminal on the unit and ship's superstructure.

**Cabling schedules**

The signal cable should be a twisted-pair, double-screened cable. Ground the signal cable at the cable clamp.

**Connections**

**Power supply**

J1 (24 VDC)

Pin no.	Designation
#1	+
#2	-

**Input signal (NMEA)**

The signal from GPS navigator is connected to J2 and J3. Data being fed to J2 has higher priority than J3.

J2		J3	
Pin no.	Designation	Pin no.	Designation
#3	RD1-H	#3	RD2-H
#4	RD1-C	#4	RD2-C
#6	GND	#6	GND

**Output signal (RS-422 or NMEA)**

J4, J5, J6, J7, J8, J9

Pin no.	RS-422	NMEA
#1	TD-B	TD-H
#2	TD-A	TD-C
#4*	GND	GND

\*#5 for J9

**Output signal (contact closure signal)**

J10 (Arrival alarm)		J11		J12	
Pin no.	Designation	Pin no.	Designation	Pin no.	Designation
#1	Alarm out 1 (H)	#1	Alarm out 2 (H)	#1	Alarm out 3 (H)
#2	Alarm out 1 (C)	#2	Alarm out 2 (C)	#2	Alarm out 3 (C)

**Selection of output data format**

The output data format is selectable by changing a jumper block; A for RS-422 and B for NMEA. For example, to select NMEA for J4, change the jumper block from A to B on J401 and J402. Do the same on J5 thru J9.

No.	Jumper	Pin no.	Jumper	No.	Jumper
J4	J401/J402 (A)	J5	J501/J502 (A)	J6	J601/J602 (A)
J7	J701/J702 (A)	J8	J801/J802 (A)	J9	J901/J902 (B)

Default jumper setting is shown in parenthesis.

**Self test 2**

The test requires an external loop to check I/O. Follow the steps below to carry out the test.

- 1) Set the #4 segment of DIP switch S1 to the ON position.
- 2) Temporarily disconnect input and output connectors J2 and J4.
- 3) Solder a jumper block between J2 and J4; #3 and #4 of J2 are connected to #1 and #2 of J4, respectively.

Jumper block consists of XH-6 pin and 4 pin connectors with two short wires as below.

<u>XH, 6 pin</u>		<u>XH, 4 pin</u>	
#3	- - -	#1	
#4	- - -	#2	

- 4) Change the jumper block between J2 and J5; J2/J6, J2/J7, J2/J8, J2/J9, J3/J4, J3/J5, J3/J6, J2/J7, J2/J8, J2/J9.

## LED status

The LEDs light according to equipment status as follows:

CR2: Lights when receiving NMEA data from J2.

CR3: Lights when sending NMEA data from J3.

CR4: Lights when sending NMEA data from J4 to J9.

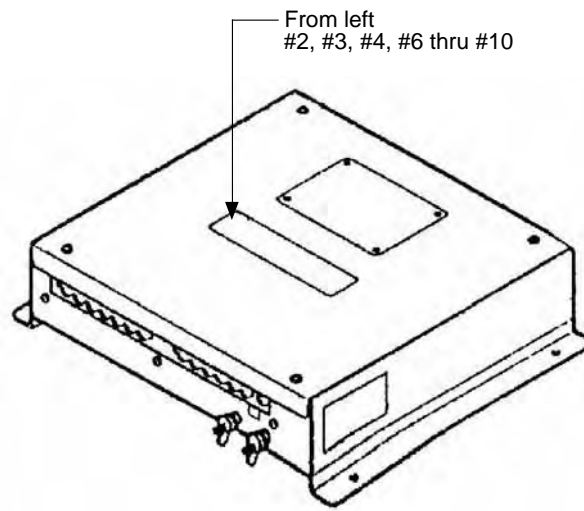
CR6: Blinks every second.

CR7: Lights when ROM error is detected, or no signal at J2 for 300 ms.

CR8: Lights when RAM error is detected, or no signal at J3 for 300 ms.

CR9: Lights when SIO error is detected, or NMEA data is input at J2.

CR10: Lights when NMEA data is input at J2.



*Location of LEDs*

## 10.7 GPS/BEACON Antenna Distributor MD-GB2

### Specification

Transmission frequency	GPS : 1575.42MHz Beacon : 283.5 ~ 325.0kHz
Loss	GPS : 4dB Beacon : 3dB
Power supply to antenna	One line fed from two distribution lines
Connector type	TNC
Ambient temperature	-15 to +55
Humidity	95% or less
Waterproofing	None

**Note:** Furuno GPS Receivers are designed, considering 10dB antenna cable loss. Because this distributor loses 4dB, shorten antenna cables so that loss is 6dB or less.

Refer to the following formula for calculation of loss.

8D-FB cable: 0.165dB/m

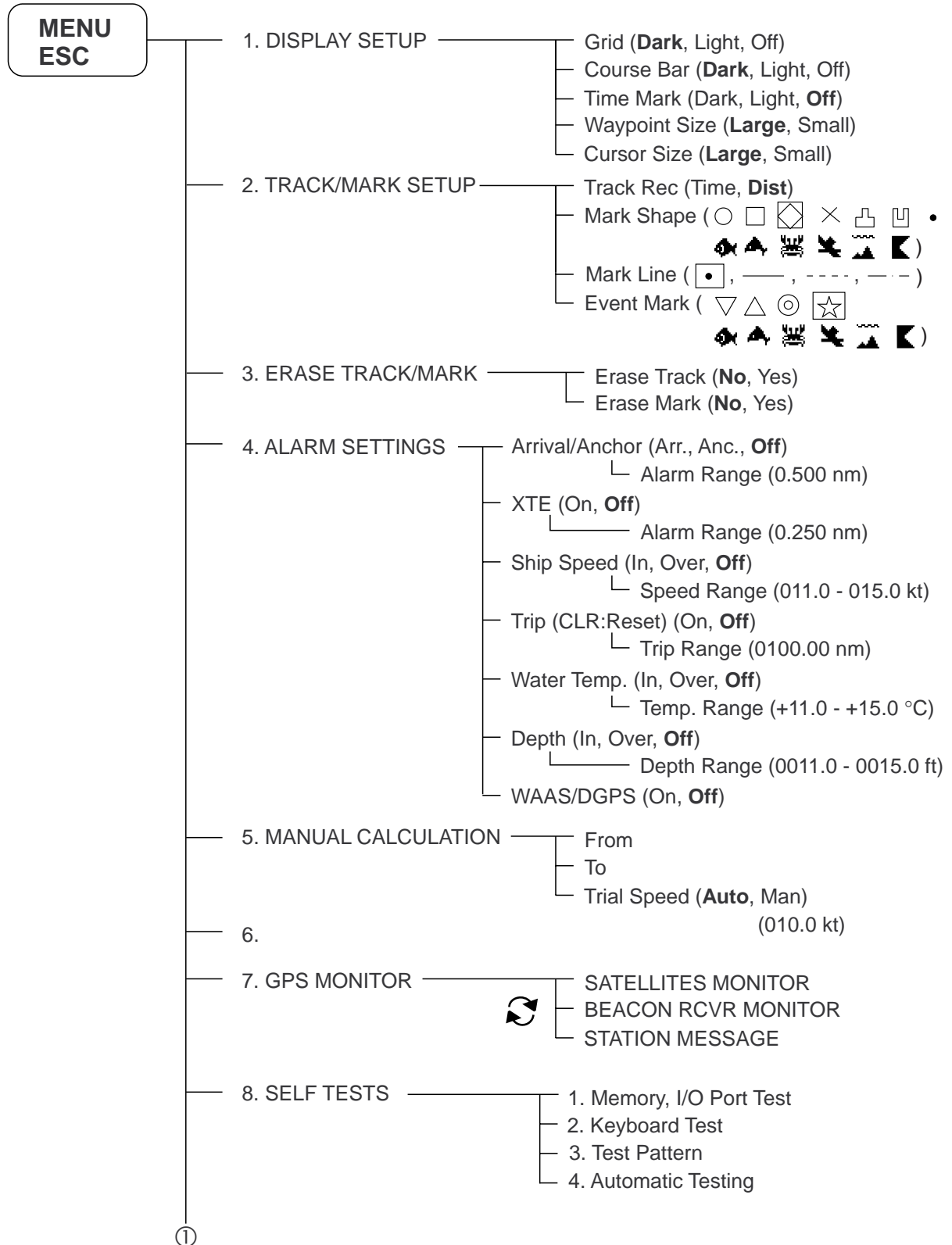
3D-2V cable: 0.65 dB/m

For the mounting, see the outline drawing at the back of this manual.

# APPENDIX

## Menu Tree

### Main menu



①

9. SYSTEM SETTINGS

1. PLOTTER SETUP

- Memory Apportion (Trk: 1000/2000 Pt)
- Bearing Ref. (**True**, Mag)
- Mag Variation (**Auto**, Man)  
(07°W) (00°E)
- Calculation (**RL**, GC)

- User defined #1 ◀ RNG ▶
  - #2 ◀ SOG ▶
  - #3 ◀ BRG ▶
  - #4 ◀ COG ▶
- SOG, COG, RNG, BRG,  
W. TMP, W. DPT, XTE, dCOG,  
AVR SOG, AVR COG, TTG, ETA,  
TRIP, TRIP TM, RT. DIST, RT. TTG,  
RT. ETA, ALT, VTD

2. UNIT SETUP

- Unit of Distance (**nm**, km, sm)
- Unit of Depth (m, **ft**, FA)
- Unit of Temp. (°C, °F)
- Unit of Altitude (m, **ft**)

3. DATA1, 3 OUTPUT SETUP

- Data Fmt. (V1.5, **V2.0**, IEC)
- Talker ID (**GP**, LC, DE)
- Output Data

AAM: 00, APA: 00, APB: 01, BOD: 00,  
BWR: 00, BWW: 00, GGA: 01, GLL: 00,  
RMB: 01, RMC: 01, VTG: 01, WCV:00,  
WNR: 00, WPL: 00, XTE: 00, ZDA: 01,  
GNS: 00, GBS: 00, Rnn: 00, RTE: 00

4. DATA TRANSFER

ALL (**Stop**, Start)

5. DATA4 I/O SETUP

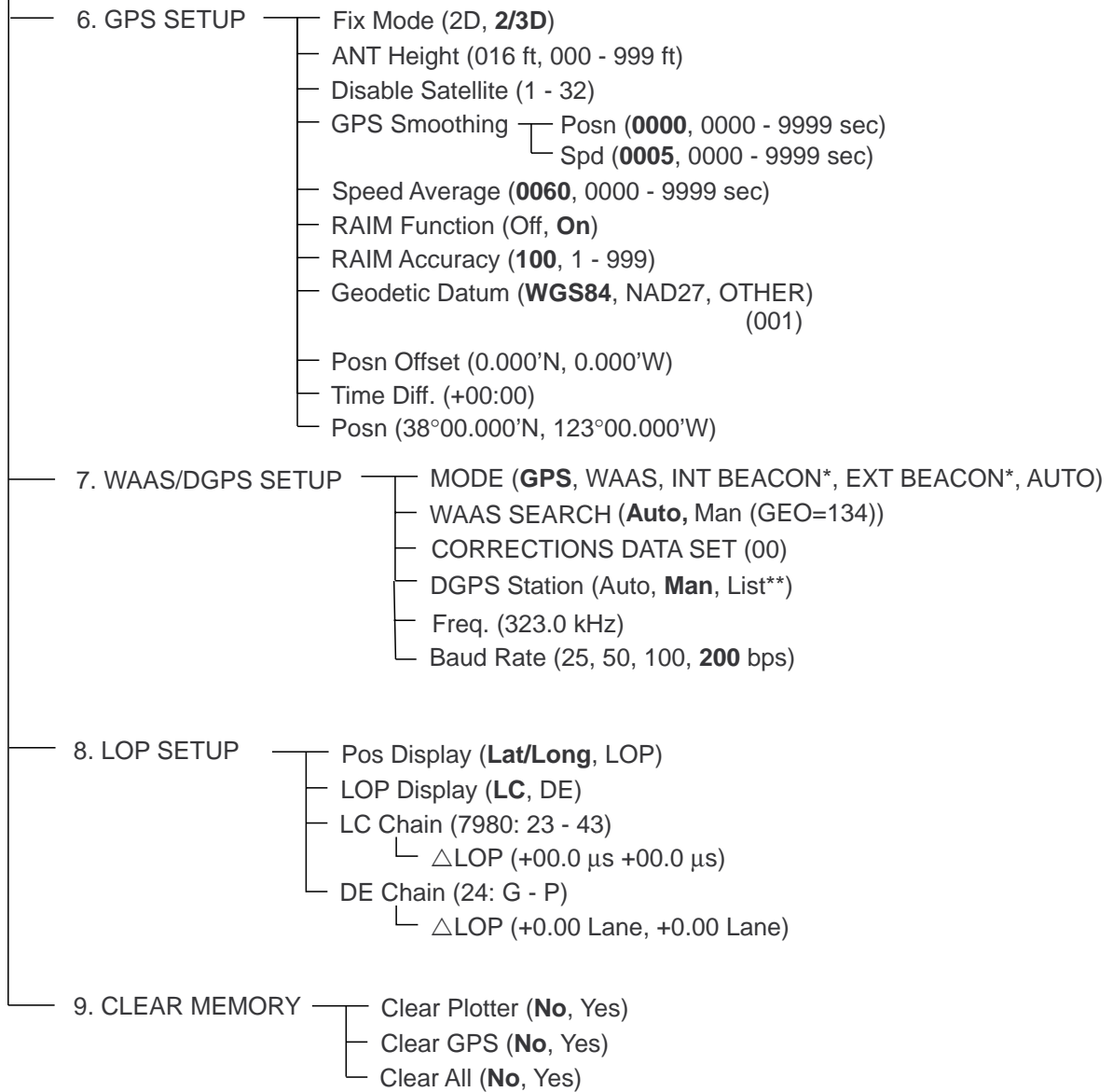
- Data4. Level (**RS232C**, RS422)
- Data (**Out**, Com., DGPS)
- Data Fmt. (V1.5, V2.0, **IEC**)
- Talker ID (**GP**, LC, DE)
- Output Data

AAM: 00, APA: 00, APB: 04, BOD: 00,  
BWR: 00, BWW: 00, GGA: 00, GLL: 01,  
RMB: 01, RMC: 00, VTG: 01, WCV:00,  
WNR: 00, WPL: 00, XTE: 00, ZDA: 01,  
GNS: 00, GBS: 01, Rnn: 00, RTE: 00

②



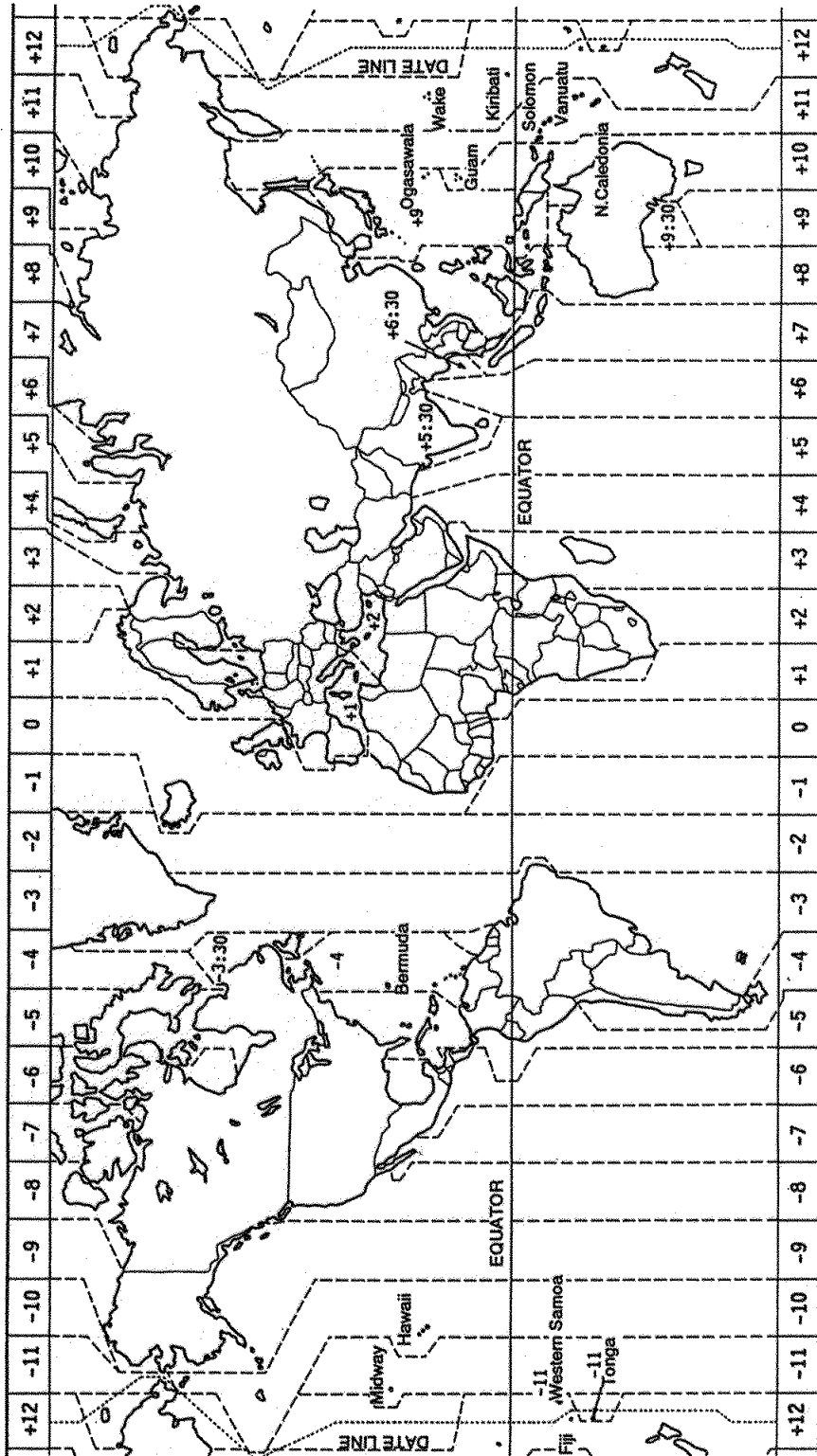
②



\*: One is displayed according to kind of beacon receiver used.

\*\* : Only when the internal beacon receiver is equipped.

# World Time Standards



# Geodetic Chart List

001:	WGS84		095:		: East Canada
002:	WGS72		096:		: Manitoba & Ontario
003:	TOKYO	: Mean Value (Japan, Korea & Okinawa)	097:		: Northwest Territories & Saskatchewan
004:	NORTH AMERICAN 1927	: Mean Value (CONUS)	098:		: Yukon
005:	EUROPEAN 1950	: Mean Value	099:		: Canal Zone
006:	AUSTRALIAN GEODETIC 1984	: Australia & Tasmania	100:		: Caribbean
007:	ADINDAN	: Mean Value (Ethiopia & Sudan)	101:		: Central America
008:		: Ethiopia	102:		: Cuba
009:		: Mali	103:		: Greenland
010:		: Senegal	104:		: Mexico
011:		: Sudan	105:	NORTH AMERICAN 1983	: Alaska
012:	AFG	: Somalia	106:		: Canada
013:	AIN EL ABD 1970	: Bahrain Is.	107:		: CONUS
014:	ANNA 1 ASTRO 1965	: Cocos Is.	108:		: Mexico, Central America
015:	ARC 1950	: Mean Value	109:	OBSERVATORIO 1966	: Corvo & Flores Islands (Azores)
016:		: Botswana	110:	OLD EGYPTIAN 1930	: Egypt
017:		: Lesotho	111:	OLD HAWAIIAN	: Mean Value
018:		: Malawi	112:		: Hawaii
019:		: Swaziland	113:		: Kauai
020:		: Zaire	114:		: Maui
021:		: Zambia	115:		: Oahu
022:		: Zimbabwe	116:	OMAN	: Oman
023:	ARC 1960	: Mean Value (Kenya & Tanzania)	117:	ORDNANCE SURVEY OF GREAT BRITAIN 1936: Mean Value	
024:		: Kenya	118:		: England
025:		: Tanzania	119:		: England, Isle of Man & Wales
026:	ASCENSION IS. 1958	: Ascension Is.	120:		: Scotland, & Shetland Islands
027:	ASTRO BEACON "E"	: Iwo Jima Is.	121:		: Wales
028:	ASTRO B4 SOR. ATOLL	: Tern Is.	122:	PICO DE LAS NIVIES	: Canary Islands
029:	ASTRO POS 71/4	: St. Helena Is.	123:	PITCAIRN ASTRO 1967	: Pitcairn Is.
030:	ASTRONOMIC STATION 1952	: Marcus Is.	124:	PROVISIONAL SOUTH CHILEAN 1963: South Chile (near 53°S)	
031:	AUSTRALIAN GEODETIC 1966	: Australia & Tasmania	125:	PROVISIONAL SOUTH AMERICAN 1956: Mean Value	
032:	BELLEVEUE (IGN)	: Efate & Erromango Islands	126:		: Bolivia
033:	BERMUDA 1957	: Bermuda Islands	127:		: Chile-Northern Chile (near 19°S)
034:	BOGOTA OBSERVATORY	: Columbia	128:		: Chile-Southern Chile (near 43°S)
035:	GAUPO INCHAUSPE	: Argentina	129:		: Columbia
036:	CANTON IS. 1966	: Phoenix Islands	130:		: Ecuador
037:	CAPE	: South Africa	131:		: Guyana
038:	CAPE CANAVERAL	: Mean Value (Florida & Bahama Islands)	132:		: Peru
039:	CARTHAGE	: Tunisia	133:		: Venezuela
040:	CHATHAM 1971	: Chatham Is. (New Zealand)	134:	PUERTO RICO	: Puerto Rico & Virgin Islands
041:	CHUA ASTRO	: Paraguay	135:	QATAR NATIONAL	: Qatar
042:	CORREGO ALEGRE	: Brazil	136:	QORNOQ	: South Greenland
043:	DJAKARTA (BATAVIA)	: Sumatra Is. (Indonesia)	137:	ROME 1940	: Sardinia Islands
044:	DOS 1968	: Gizo Is. (New Georgia Is.)	138:	SANTA BRAZ	: Sao Maquel, Santa Maria Islands (Azores)
045:	EASTER IS. 1967	: Easter Is.	139:	SANTO (DOS)	: Espirito Santo Is.
046:	EUROPEAN 1950 (Cont'd)	: Western Europe	140:	SAPPER HILL 1943	: East Falkland Is.
047:		: Cyprus	141:	SOUTH AMERICAN 1969	: Mean Value
048:		: Egypt	142:		: Argentina
049:		: England, Scotland, Channel & Shetland Islands	143:		: Bolivia
050:		: England, Ireland, Scotland, & Shetland Islands	144:		: Brazil
051:		: Greece	145:		: Chile
052:		: Iran	146:		: Columbia
053:		: Italy, Sardinia	147:		: Ecuador
054:		: Italy, Sicily	148:		: Guyana
055:		: Norway & Finland	149:		: Paraguay
056:		: Portugal & Spain	150:		: Peru
057:	EUROPEAN 1979	: Mean Value	151:		: Trinidad & Tobago
058:	GANDAJIKA BASE	: Republic of Maldives	152:		: Venezuela
059:	GEODETIC DATUM 1949	: New Zealand	153:	SOUTH ASIA	: Singapore
060:	GUAM 1963	: Guam Is.	154:	SOUTHEAST BASE	: Porto Santo & Madeira Islands
061:	GUX 1 ASTRO	: Guadalcanal Is.	155:	SOUTHWEST BASE	: Faial, Graciosa, Pico, Sao Jorge, & Terceira Is.
062:	HJORSEY 1955	: Iceland	156:	TIMBALAI 1948	: Brunei & East Malaysia (Sarawak & Sadah)
063:	HONG KONG 1363	: Hong Kong	157:	TOKYO	: Japan
064:	INDIAN	: Thailand & Vietnam	158:		: Korea
065:		: Bangladesh, India & Nepal	159:		: Okinawa
066:	IRELAND 1965	: Ireland	160:	TRISTAN ASTRO 1968	: Tristan da Cunha
067:	ISTS 073 ASTRO 1969	: Diego Garcia	161:	VITI LEVU 1916	: Viti Levu Is. (Fiji Islands)
068:	JOHNSTON IS. 1961	: Johnston Is.	162:	WAKE-ENIWETOK 1960	: Marshall Islands
069:	KANDAWALA	: Sri Lanka	163:	ZANDERIJ	: Surinam
070:	KERGUELEN IS.	: Kerguelen Is.	164:	BUKIT RIMPAH	: Bangka & Belitung Islands (Indonesia)
071:	KERTAUI 1948	: West Malaysia & Singapore	165:	CAMP AREA ASTRO	: Camp Mcmurdo Area, Antarctica
072:	LA REUNION	: Mascarene Is.	166:	G. SEGARA	: Kalimantan Is. (Indonesia)
073:	L. C. 5 ASTRO	: Cayman Brac Is.	167:	HERAT NORTH	: Afghanistan
074:	LIBERIA 1964	: Liberia	168:	HU-TZU-SHAN	: Taiwan
075:	LUZON	: Philippines (excl. Mindanao Is.)	169:	TANANARIVE OBSERVATORY 1925	: Madagascar
076:		: Mindanao Is.	170:	YACARE	: Uruguay
077:	MAHE 1971	: Mahe Is.	171:	RT-90	: Sweden
078:	MARCO ASTRO	: Salvage Islands	172:	Pulkovo 1942	: Russia
079:	MASSAWA	: Eritrea (Ethiopia)	173:	Finish KKJ	: Finland
080:	MERCHICH	: Morocco			
081:	MIDWAY ASTRO 1961	: Midway Is.			
082:	MINNA	: Nigeria			
083:	NAHRWAN	: Masirah Is. (Oman)			
084:		: United Arab Emirates			
085:		: Saudi Arabia			
086:	NAMIBIA	: Namibia			
087:	MAPARIMA, BWI	: Trinidad & Tobago			
088:	NORTH AMERICAN 1927	: Western United States			
089:		: Eastern United States			
090:		: Alaska			
091:		: Bahamas (excl. San Salvador Is.)			
092:		: Bahamas, San Salvador Is.			
093:		: Canada (incl. Newfoundland Is.)			
094:		: Alberta & British Columbia			

## Loran C Chains

Chain	GRI	S1	S2	S3	S4	S5
Central Pacific	4990	11	29	--	--	--
Canadian East Coast	5930	11	25	38	--	--
Commando Lion (Korea)	5970	11	31	42	--	--
Canadian West Coast	5990	11	27	41	--	--
South Saudi Arabia	7170	11	26	39	52	--
Labrador Sea	7930	11	26	--	--	--
Eastern Russia	7950	11	30	46	61	--
Gulf of Alaska	7960	11	26	44	--	--
Norwegian Sea	7970	11	26	46	60	--
Southeast USA	7980	11	23	43	59	--
Mediterranean Sea	7990	11	29	47	--	--
Western Russia	8000	11	25	50	65	--
North Central USA	8290	11	27	42	--	--
North Saudi Arabia	8990	11	25	40	56	69
Great Lakes	8970	11	28	44	59	--
South Central USA	9610	11	25	40	52	65
West Coast USA	9940	11	27	40	--	--
Northeast USA	9960	11	25	39	54	--
Northwest Pacific (old)	9970	11	30	55	81	--
Icelandic	9980	11	30	--	--	--
North Pacific	9990	11	29	43	--	--
Suez	4991	10	24			
England, France	8940	12	30			
Northwest Pacific	8930	11	30	50	70	
Newfoundland East Coast	7270	11	25			
Lessay	6731	10	39			
BØ	7001	11	27			
Sylt	7499	11	26			
Ejde	9007	10	23	38		
Saudia Arabia North	8830	11	25	39	56	
Saudia Arabia South	7030	11	25	37	55	

## Decca Chains

Chain No.	Chain	Chain code	Location
01	South Baltic	0A	Europe
02	Vestlandet	0E	"
03	Southwest British	1B	"
04	Northumbrian	2A	"
05	Holland	2E	"
06	North British	3B	"
07	Lofoten	3E	"
08		3F	"
09	North Baltic	4B	"
10	North West	4C	"
11	Trondelag	4E	"
12	English	5B	"
13	North Bothnian	5F	"
14	Southern Spanish	6A	"
15	North Scottish	6C	"
16	Gulf of Finland	6E	"
17	Danish	7B	"
18	Irish	7D	"
19	Finnmark	7E	"
20	French	8B	"
21	South Bothnian	8C	"
22	Hebridean	8E	"
23	Frisian Islands	9B	"
24	Helgeland	9E	"
25	Skagerrak	10B	"
26	North Persian Gulf	5C	Persian Gulf & India
27	South Persian Gulf	1C	"
28	Bombay	7B	"
29	Calcutta	8B	"
30	Bangladesh	6C	"
31	Saliyah	2F	"
32	Hokkaido	9C	Japan
33	Tohoku	6C	"

Chain no.	Chain	Chain code	Location
34	Kanto	8C	Japan
35	Shikoku	4C	"
36	Hokuriku	2C	"
37	Kita Kyushu	7C	"
38	Namaqualand	4A	Southern Africa
39	Cape	6A	"
40	Eastern Province	8A	"
41	South West Africa	9C	"
42	Natal	10C	"
43	Dampier	8E	Australia
44	Port Headland	4A	"
45	Anticosti	9C	Northern Africa
46	East Newfoundland	2C	"
47	Cabot Strait	6B	"
48	Nova Scotia	7C	"

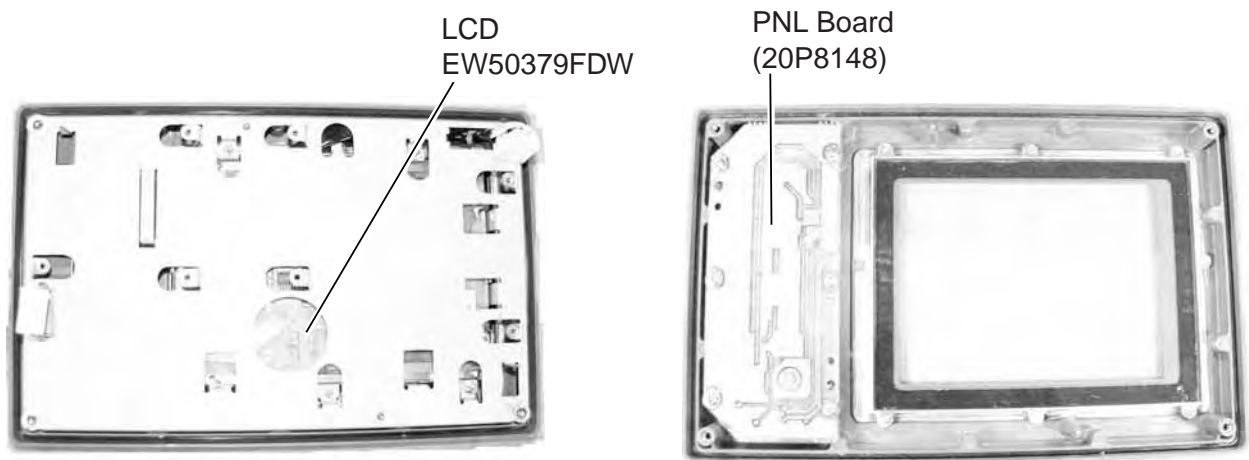
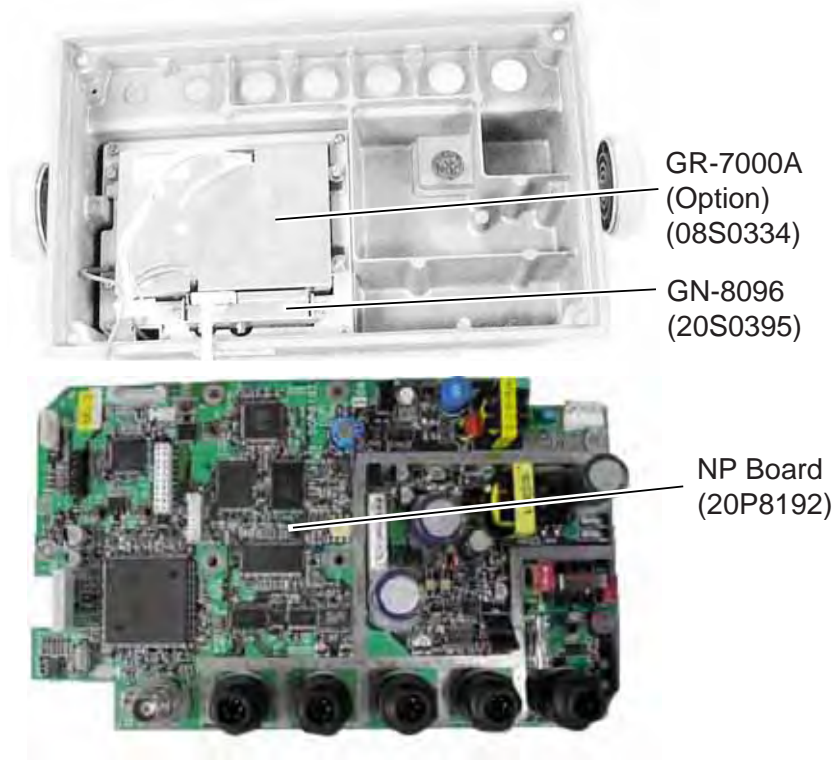
## Parts List

This equipment contains complex modules in which fault diagnosis and repair down to component level are not practical (IMO A.694(17)/8.3.1). Only some discrete components are used. FURUNO Electric Co., Ltd. believes identifying these components is of no value for shipboard maintenance; therefore, they are not listed in the manual. Major modules can be located on the parts location photos on the next page.

<b>FURUNO</b>  <b>ELECTRICAL PARTS LIST</b> Sep-05	Model	GP-150-DUAL	
	Unit	DISPLAY UNIT GP-150-DUAL	
	Blk.No.		
<b>SYMBOL TYPE</b>			
<b>DISPLAY UNIT GP-150</b>		<b>Code No.</b>	
<b>PRINTED CIRCUIT BOARD</b>			
20P8148, PNL		004-401-410	
20P8192, NP		004-401-960	
<b>ASSEMBLY</b>			
20S0395, GN-8096		000-150-957-12	
08S0334, GR-7000A (option)		000-143-249	
<b>LCD</b>			
20S0394, EW50379FDW		000-151-235	

## Parts Location

### Display unit

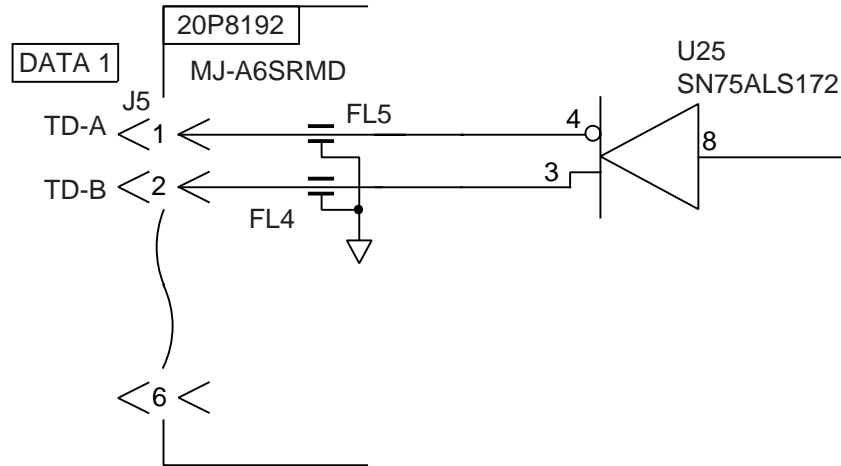


## Interface Documentation

### "DATA1" Port

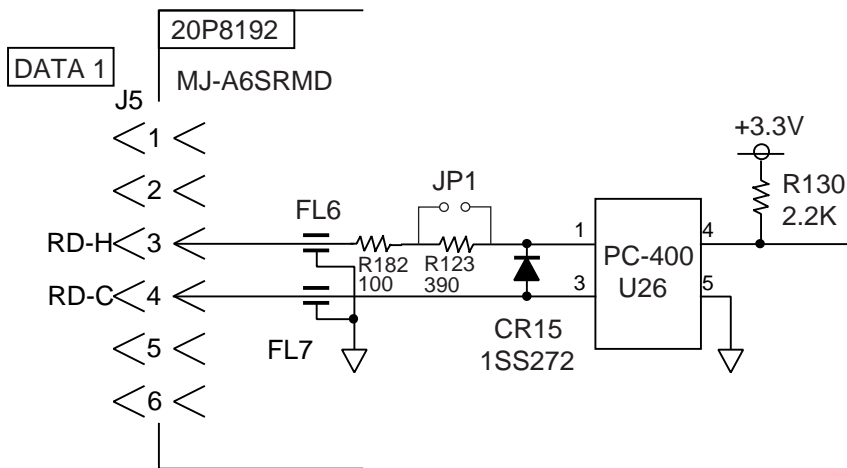
#### IEC 61162-1/NMEA 0183 Ver. 1.5 Output

- Output Schematic Diagram (Talker)



- Output Drive Capability  
Max. 10mA

#### NMEA 0183 Input





- Load Requirements

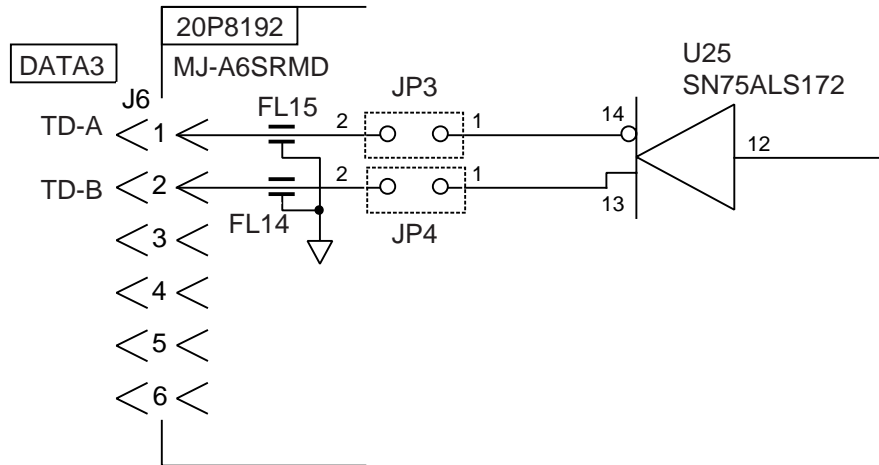
Isolation: opto coupler

Input Impedance: 470  $\Omega$

Max. Voltage:  $\pm 15V$

Threshold: 3mA (In case of FURUNO device talker connection)

**"DATA3" Port**



- Output Drive Capability

Max. 10mA

**SPECIFICATIONS OF GPS NAVIGATOR  
GP-150/Dual**

**1 GPS RECEIVER**

- 1.1 Receiving Frequency 1575.42 MHz
- 1.2 Tracking Code C/A code
- 1.3 Number of Channel GPS: 12 channels parallel, 12 satellites
- 1.4 Position Fixing Method All-in-view, 8-state Kalman filter
- 1.5 Accuracy
  - GPS: 10 m approx. (2drms)
  - DGPS: 5 m approx. (2drms)
  - WAAS: 3 m approx. (2drms)
- 1.6 Ship's Speed Accuracy 0.2kt (10kt or less), 2 % of ship's speed (more than 10kt)
- 1.7 Course Accuracy  $\pm 3^\circ$  (within 1 to 17kt),  $\pm 1^\circ$  (more than 17kt)
- 1.8 Position Fixing Time Warm start: 12 s typical, Cold start: 90 s typical
- 1.9 Tracking Velocity 999 kt
- 1.10 Position Update Interval 1 s
- 1.11 Beacon Receiver (internal kit, option)
  - Frequency Range 283.5 to 325.0 kHz
  - MSK rate 50, 100, 200 bps; select auto or manual

**2 DISPLAY SECTION**

- 2.1 LCD Display Monochrome LCD 122 x 92 mm, 320 x 240 dot matrix
- 2.2 Display Modes Plotter 1 (NU), Plotter 2 (CU), Highway, Navigation, Data
- 2.3 Projection Mercator
- 2.4 Track Plotter Display
  - Scale 0.02 to 320 nm, 14 steps
  - Latitude Limits Between 85°N and 85°S
  - Plot Interval By time 0 to 60m00s or by distance 0 to 99.99 nm, sm or km, or halt
- 2.5 Memory Capacity
  - Track and Marks 2,000 points (include marks)
  - Waypoints 999 points with 12 characters comment each
  - Route 30 (containing 30 waypoints/route) and 1 simplified route
- 2.6 Alarms Arrival and anchor watch, XTE, Speed, Trip\*, Water temperature\*, Water depth\*
  - \*: external sensor required
- 2.7 Satellite Information Satellite number, Bearing, Elevation, Signal level, DOP, Status

**3 INTERFACE**

- 3.1 Number of Ports 4

3.2 Data Format IEC61162-1 (JUL-2000), NMEA0183 Ver1.5/2.0

IN: (DATA 1 &2\*) AGFPA, DBT, DPT, MTW, TLL,  
 HDG\*\*, HDM\*\*, HDT\*\*, VBW\*\*, VHW\*\*

(DATA 3) MOB from external device (contact closure),

(DATA 4) DGPS correction data in RTCM SC-104 V2.0,

Waypoint data downloaded from YEOMAN plotter,

Waypoint data or nav aids information from conventional PC

OUT:

AAM, APA, APB, BOD, BWC, BWR, BWW, DTM, GBS, GGA, GLL,

GNS, RMB, RMC, Rnn, RTE, VTG, WCV, WNC, WNR, WPL, XTE,

ZDA (or LOGOUT depending on jumper setting for Port 3), Waypoint

data to conventional PC (DATA 4 only)

\* GP-150-Dual: DATA 2 port is used for the system connection.

\*\* : GP-150 only

## 4 POWER SUPPLY

4.1 Display Unit 12-24VDC: 0.8-0.4A (w/ internal beacon receiver)

4.2 Rectifier (PR-62, option) 100/110-115/220/230 VAC, 1 phase, 50/60Hz

## 5 ENVIRONMENTAL CONDITION

5.1 Ambient Temperature

Antenna Unit -20°C to 70°C

Display Unit -15°C to 55°C

5.2 Relative Humidity 95 % at +40°C

5.3 Waterproofing (IEC 60529)

Antenna Unit IPX6

Display Unit IPX5 (USCG CFR-46)

5.4 Vibration ● 2 - 5 Hz and up to 13.2 Hz with an excursion of  $\pm 1 \text{ mm} \pm 10\%$   
 (IEC 60945 ed.4) (7 m/s<sup>2</sup> maximum acceleration at 13.2 Hz)

● 13.2 - 100 Hz with a constant maximum acceleration of 7 m/s<sup>2</sup>

## 6 COATING COLOR

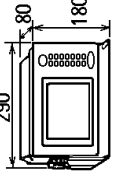
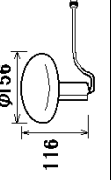
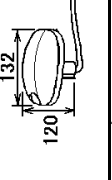
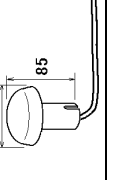

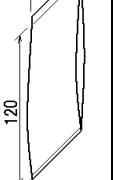

6.1 Antenna Unit N9.5 (white)

6.2 Display Unit N3.0

# PACKING LIST GP-150-DUAL-E-\*0-15-\*

20AZ-X-9857-5





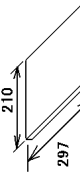
1/1

NAME	OUTLINE	DESCRIPTION/CODE	Q'TY
<b>ユニット</b>			
受信演算部		GP-150-DUAL-E-N/A	1
DISPLAY UNIT		000-042-081-00 **	
空中線部		GPA-019S	1
ANTENNA UNIT		000-142-545-01 **	(*1)
空中線部		GPA-018S	1
ANTENNA UNIT		000-041-895-00 **	(*1)
空中線部		GPA-017S	1
ANTENNA UNIT		000-040-537-00 **	(*1)
<b>予備品</b>			
予備品		SP20-00500	1
SPARE PARTS		000-040-717-00	
<b>付属品</b>			
フィルターナー		02-155-1082-1	1
FILTER CLEANER		100-332-651-10	
<b>工事材料</b>			
操作・表示部工事材料		CP20-01101	1
INSTALLATION MATERIALS		004-369-790-00	

1.コード番号末尾の[\*1]は、選択品の代表コードを示します。  
CODE NUMBER ENDING WITH "\*\*\*\*" INDICATES THE CODE NUMBER OF REPRESENTATIVE MATERIAL.

2.(\*1)の空中線部は仕様により決定されます。  
ANTENNA UNIT HAS BEEN DETERMINED BY SPECIFICATION.

(略図の寸法は、参考値です。DIMENSIONS IN DRAWING FOR REFERENCE ONLY.)

NAME	OUTLINE	DESCRIPTION/CODE	Q'TY
ケーブル組品MJ		MJ-A2SPF0014-030C	1
POWER CABLE		000-158-000-10	
ケーブル組品MJ		MJ-A6SPF0003-050C	1
SIGNAL CABLE ASSEMBLY		000-154-054-10	
ケーブル組品		TNC-PS/PS-3D-L15M-R	1
CABLE ASSY.		000-133-670-11	
<b>図書</b>			
取扱説明書		OM*-44410-*	1
OPERATOR'S MANUAL		000-158-020-1*	
操作要領書		OS*-44400-*	1
OPERATOR'S GUIDE		000-158-018-1*	

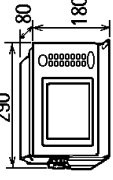
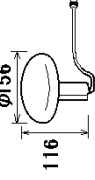
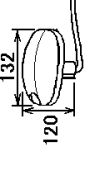
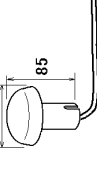

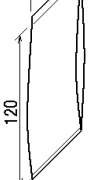

型式/コード番号が2段の場合、下段より上段に代わる過渡期品であり、どちらが入っています。なお、品質は変わりません。

TWO TYPES AND CODES MAY BE LISTED FOR AN ITEM. THE LOWER PRODUCT MAY BE SHIPPED IN PLACE OF THE UPPER PRODUCT. QUALITY IS THE SAME.

# PACKING LIST GP-150-DUAL-E-\*0-N-\*

20AZ-X-9858 -4



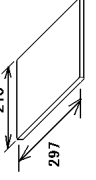
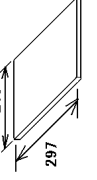
1/1

NAME	OUTLINE	DESCRIPTION/CODE	Q'TY
<b>ユニット</b>			
受信演算部		GP-150-DUAL-E-N/A	1
DISPLAY UNIT		000-042-081-00 **	
空中線部		GPA-019S	1
ANTENNA UNIT		000-142-545-01 **	(*1)
空中線部		GPA-018S	1
ANTENNA UNIT		000-041-895-00 **	(*1)
空中線部		GPA-017S	1
ANTENNA UNIT		000-040-537-00 **	(*1)
<b>予備品</b>			
予備品		SP20-00500	1
SPARE PARTS		000-040-717-00	
<b>付属品</b>			
<b>ACCESSORIES</b>			
フィルターリナー		02-155-1082-1	1
FILTER CLEANER		100-332-651-10	
<b>工事材料</b>			
<b>INSTALLATION MATERIALS</b>			
操作・表示部工事材料		CP20-01101	1
INSTALLATION MATERIALS		004-369-790-00	

1.コード番号末尾の[\*1]は、選択品の代表コードを表します。  
CODE NUMBER ENDING WITH "\*\*\*\*" INDICATES THE CODE NUMBER OF REPRESENTATIVE MATERIAL.

2.(\*1)の空中線部は仕様により決定されます。  
ANTENNA UNIT HAS BEEN DETERMINED BY SPECIFICATION.

(略図の寸法は、参考値です。DIMENSIONS IN DRAWING FOR REFERENCE ONLY.)

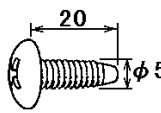
NAME	OUTLINE	DESCRIPTION/CODE	Q'TY
ケーブル組品MJ		MJ-A2SPF0014-030C	1
POWER CABLE		000-158-000-10	
ケーブル組品MJ		MJ-A6SPF0003-050C	1
SIGNAL CABLE ASSEMBLY		000-154-054-10	
<b>図書</b>			
<b>DOCUMENT</b>			
取扱説明書		OM*-44410-*	1
OPERATOR'S MANUAL		000-158-020-1*	
操作要領書		OS*-44400-*	1
OPERATOR'S GUIDE		000-158-018-1*	

型式/コード番号が2段の場合、下段より上段に代わる過渡期品であり、どちらが入っています。なお、品質は変わりません。

TWO TYPES AND CODES MAY BE LISTED FOR AN ITEM. THE LOWER PRODUCT MAY BE SHIPPED IN PLACE OF THE UPPER PRODUCT. QUALITY IS THE SAME.

**FURUNO**

CODE NO.	004-369-790-00	20AX-X-9404 -1
TYPE	CP20-01101	1/1

工事材料表 INSTALLATION MATERIALS					
番号 NO.	名称 NAME	略図 OUTLINE	型名/規格 DESCRIPTIONS	数量 Q'TY	用途/備考 REMARKS
1	+トラスタップ <sup>®</sup> ソネジ <sup>®</sup> 1ｼｬ SELF-TAPPING SCREW		5X20 SUS304 CODE NO. 000-162-608-10	4	

型式/コード番号が2段の場合、下段より上段に代わる過渡期品であり、どちらかが入っています。なお、品質は変わりません。

TWO TYPES AND CODES MAY BE LISTED FOR AN ITEM. THE LOWER PRODUCT MAY BE SHIPPED IN PLACE OF THE UPPER PRODUCT. QUALITY IS THE SAME.


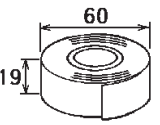
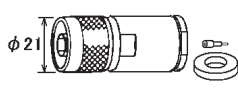
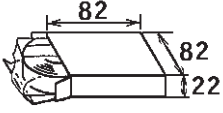
(略図の寸法は、参考値です。 DIMENSIONS IN DRAWING FOR REFERENCE ONLY.)



Antenna Cable Set  
 CP20-01700 (004-372-110)  
 CP20-01710 (004-372-120)

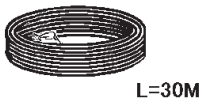

**FURUNO**

CODE NO.	004-372-420-00	20AG-X-9405 -4
TYPE	CP20-01701	1/1

工事材料表 INSTALLATION MATERIALS					
番号 NO.	名称 NAME	略図 OUTLINE	型名/規格 DESCRIPTIONS	数量 Q'TY	用途/備考 REMARKS
1	変換ケーブル組品 CONVERT CABLE ASSY.		NJ-TP-3DXV-1 CODE NO. 000-123-809-00	2	
2	ビニルテープ VINYL TAPE		N0360 0.2X19X10000 CODE NO. 000-835-215-00	1	
3	コネクタ(N) CONNECTOR		N-P-8DFB-CF CODE NO. 000-156-918-10	1	
4	絶縁テープ SELF-BONDING TAPE		Uテープ 0.5X19X5M Uテープ 0.5X19X5M CODE NO. 000-165-833-10 000-800-985-00	1	

**FURUNO**

CODE NO.		20AG-X-9404 -2
TYPE		1/1

工事材料表 INSTALLATION MATERIALS					
番号 NO.	名称 NAME	略図 OUTLINE	型名/規格 DESCRIPTIONS	数量 Q'TY	用途/備考 REMARKS
1	アンテナケーブル組品 ANTENNA CABLE ASSY.		8D-FB-CV *30M* CODE NO. 000-111-547-00	1	選択 TO BE SELECTED
2	アンテナケーブル組品 CABLE ASSY.		8D-FB-CV *50M* CODE NO. 000-117-599-00	1	選択 TO BE SELECTED



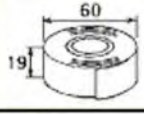



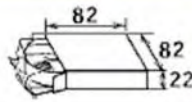
**Antenna Cable Set**

CP20-02700 (004-381-160)

CP20-02710 (004-381-170)

**FURUNO**

CODE NO.	004-381-190-00	20AX-X-9401 -6
TYPE	CP20-02701	1/1

工事材料表 INSTALLATION MATERIALS					
番号 NO.	名称 NAME	略図 OUTLINE	型名/規格 DESCRIPTIONS	数量 Q'TY	用途/備考 REMARKS
1	ビニールテープ N0360 VINYL TAPE		0.2X19X10000 粘着テープ CODE NO. 000-835-215-00	1	
2	変換ケーブル組品 CONVERT CABLE ASSY.		NJ-TP-30XV-1 CODE NO. 000-123-809-00	1	
3	コネクタ (N) CONNECTOR		N-P-8DFB-CF CODE NO. 000-156-918-10	1	
4	コネクタ (TNC-N) CONNECTOR		TNCP-NJ CODE NO. 000-156-599-10	1	
5	絶縁テープ SELF-BONDING TAPE		Uテープ 0.5X19X5M Uテープ 0.5X19X5M CODE NO. 000-165-833-10 000-800-985-00	1	

**FURUNO**

CODE NO.		20AG-X-9404 -2
TYPE		1/1



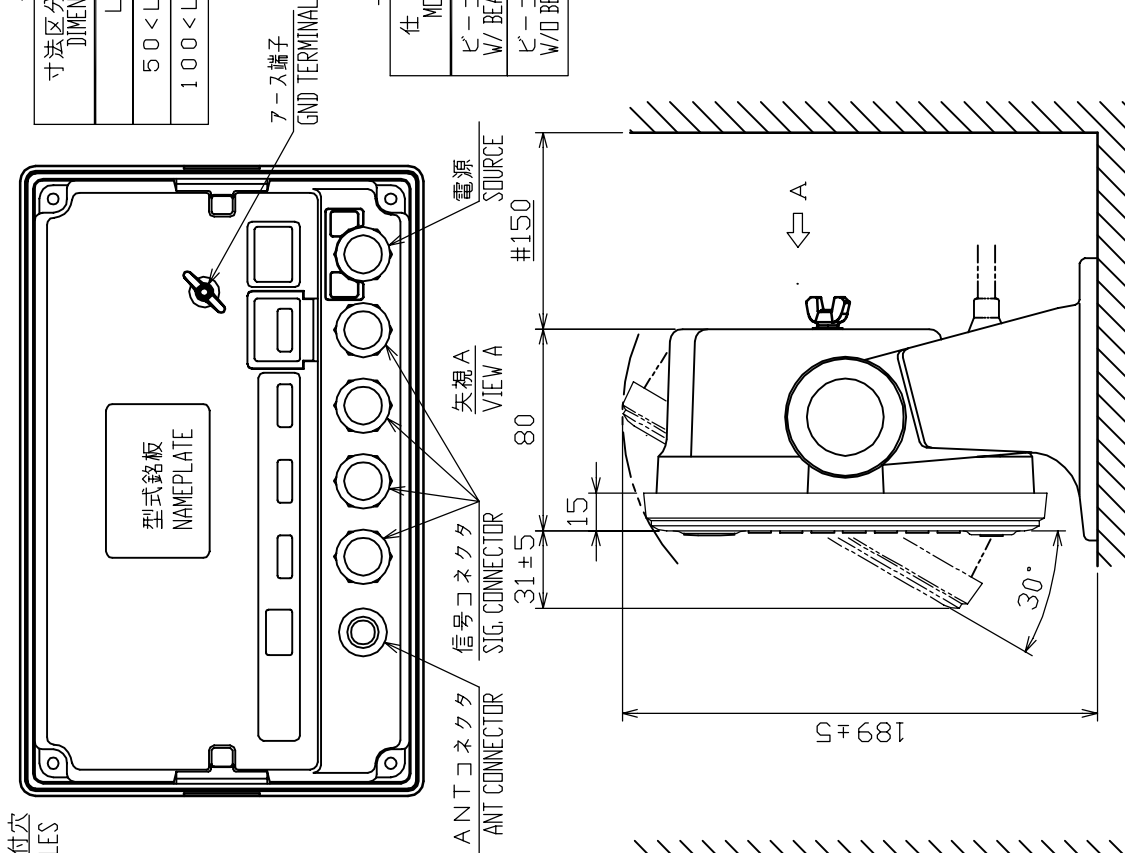
工事材料表 INSTALLATION MATERIALS		GP-80, GP-90, SC-55, GP-3500/F, GP-1850, GP-1650, FA-100, FA-150, GP-1640/F, SC-60/120, GD/GP-280/680/380			
番号 NO.	名称 NAME	略図 OUTLINE	型名/規格 DESCRIPTIONS	数量 Q'TY	用途/備考 REMARKS
1	アンテナケーブル組品 ANTENNA CABLE ASSY.		8D-FB-CV *30M* CODE NO. 000-111-547	1	選択 TO BE SELECTED
2	アンテナケーブル組品 CABLE ASSY.		8D-FB-CV *50M* CODE NO. 000-117-599	1	選択 TO BE SELECTED

表 1 TABLE 1

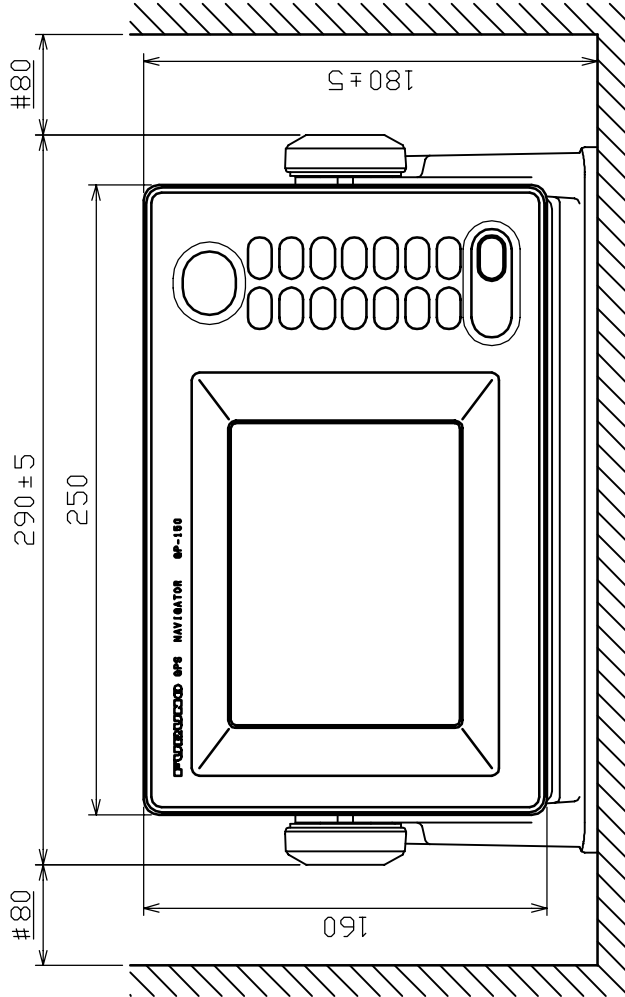
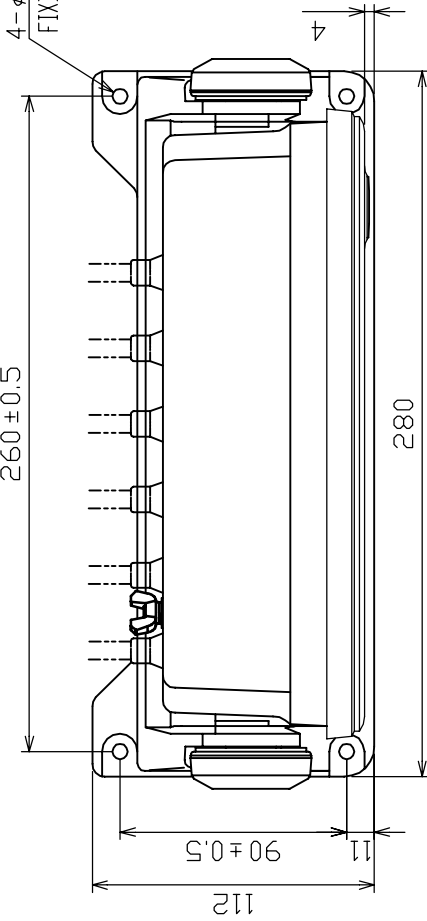
寸法区分 (mm) DIMENSIONS	公差 (mm) TOLERANCE
L ≤ 50	± 1.5
50 < L ≤ 100	± 2.5
100 < L ≤ 500	± 3

表 2 TABLE 2

仕様 MODEL	質量 (kg±10%) MASS
ビーコン有り W/ BEACON	2.4
ビーコン無し W/O BEACON	2.2



4-φ6 取付穴  
FIXING HOLES



注 記 1) #印寸法は最小サービスクリアランスとする。  
 2) 指定外の寸法公差は表 1 による。  
 3) 取付用ネジは + トラスタップピンネジ呼び径 5 × 2.0 を使用のこと。

NOTE 1. # MINIMUM SERVICE CLEARANCE.  
 2. TABLE 1 INDICATES TOLERANCE OF DIMENSIONS WHICH IS NOT SPECIFIED.  
 3. USE SELF-TAPPING SCREWS 5x2.0 FOR FIXING THE UNIT.

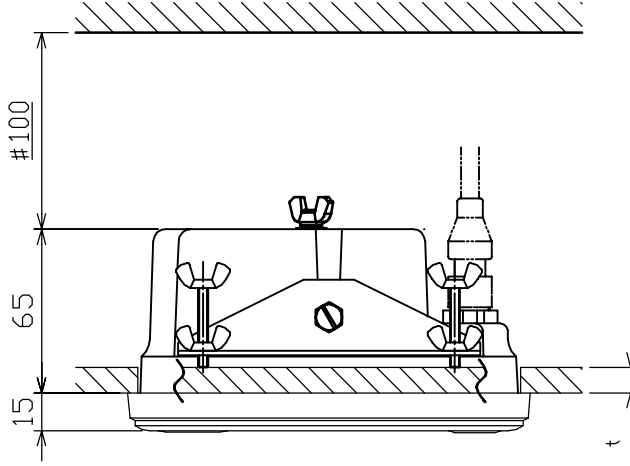
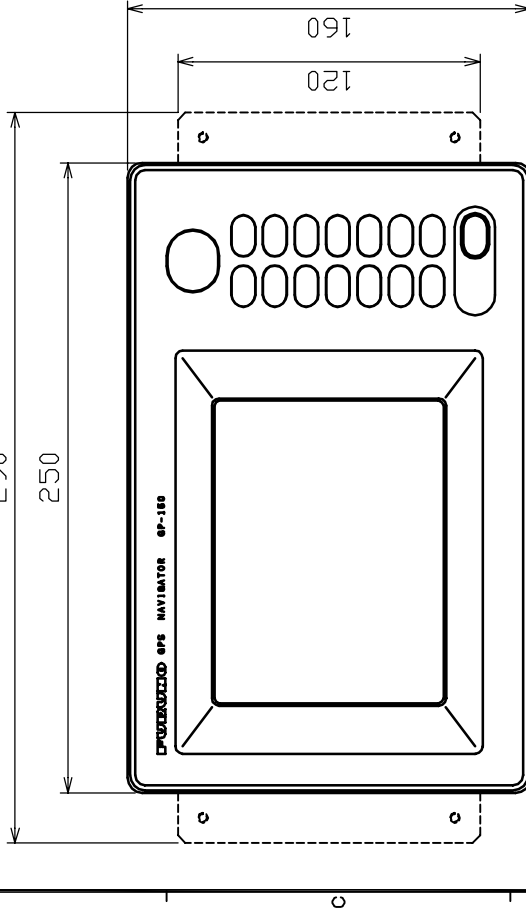
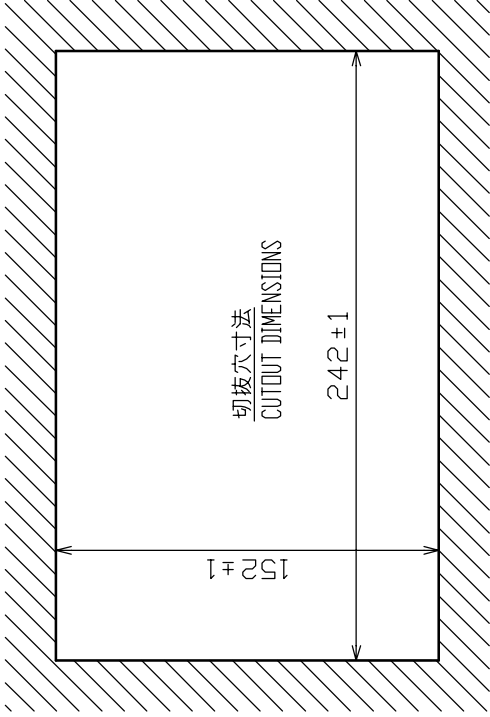
DRAWN Sep. 15, 1985 E. MIYOSHI	TITLE GP-150
CHECKED TAKAHASHI	名称 受信演算部 (卓上装備)
APPROVED	外寸図
SCALE 1/3	WAVE DISPLAY UNIT (TABLETOP MOUNT)
DWG No. C4440-G01-A	OUTLINE DRAWING

表 1 TABLE 1

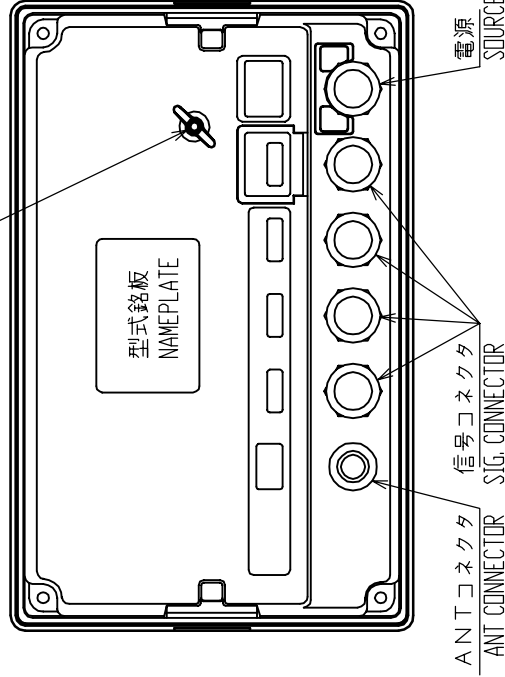
寸法区分 (mm) DIMENSIONS	公差 (mm) TOLERANCE
L ≤ 50	± 1.5
50 < L ≤ 100	± 2.5
100 < L ≤ 500	± 3

表 2 TABLE 2

仕様 MODEL	質量 (kg±10%) MASS
ビーコン有り W/ BEACON	2.4
ビーコン無し W/O BEACON	2.2



7-入端子  
GND TERMINAL



注 記 1) # 印寸法は最小サービス空間寸法とする。

2) 指定外の寸法公差は表 1 による。

3) 壁の厚さ (t) は、1 2以下とする。

NOTE 1. #: MINIMUM SERVICE CLEARANCE.

2. TABLE 1 INDICATES TOLERANCE OF DIMENSIONS WHICH IS NOT SPECIFIED.

3. THICKNESS OF BULKHEAD (t): t ≤ 12.

DRAWN CHECKED APPROVED SCALE DWG No	Rev. 15.05. E.MIYOSHI TAKAHASHI 1/3 C4440-G02-A	TITLE 名 称 WAVE OUTLINE DRAWING	GP-150 受信演算部 (埋込装備 S) 外寸図 DISPLAY UNIT (FLUSH MOUNT S)
-------------------------------------------------	----------------------------------------------------------	-----------------------------------------	-----------------------------------------------------------------

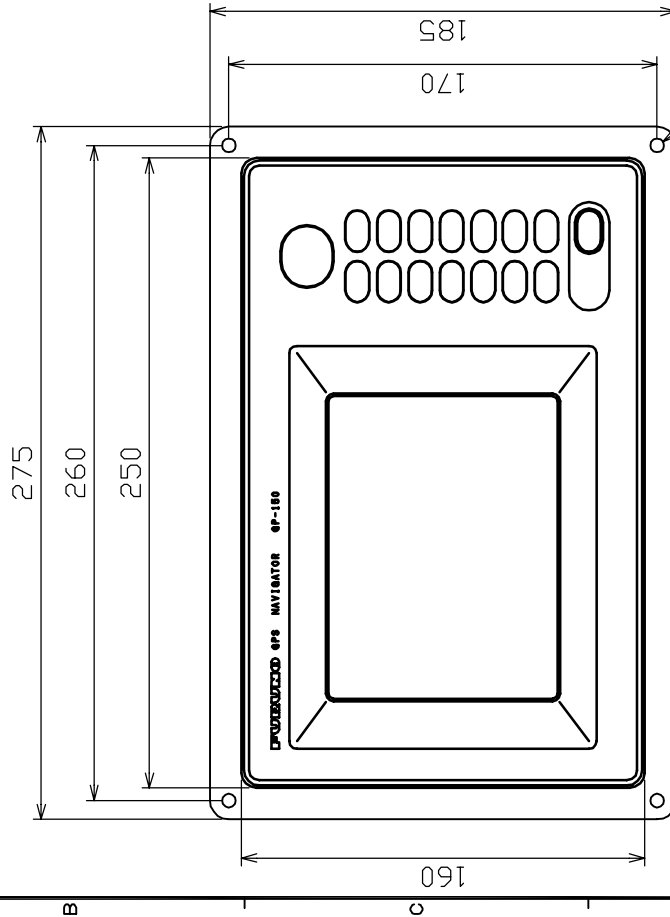
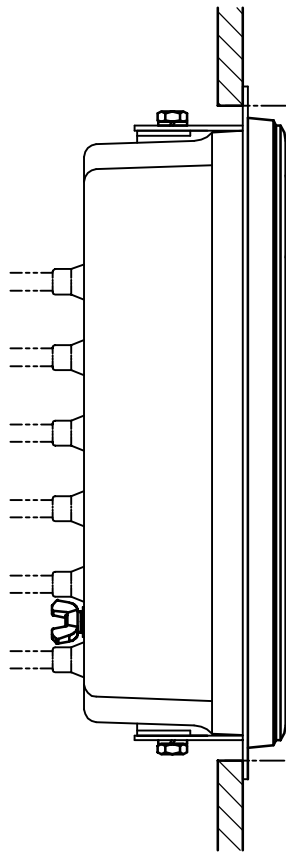
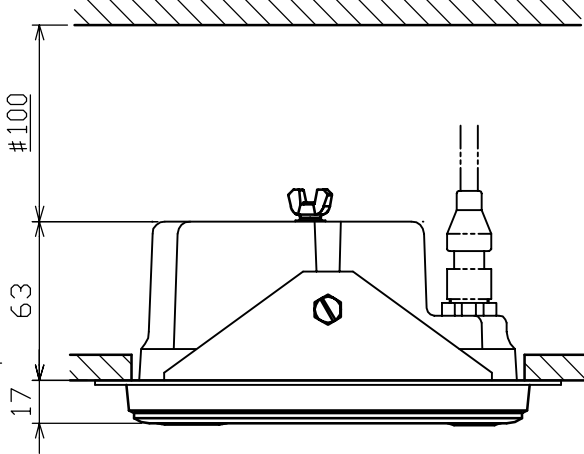
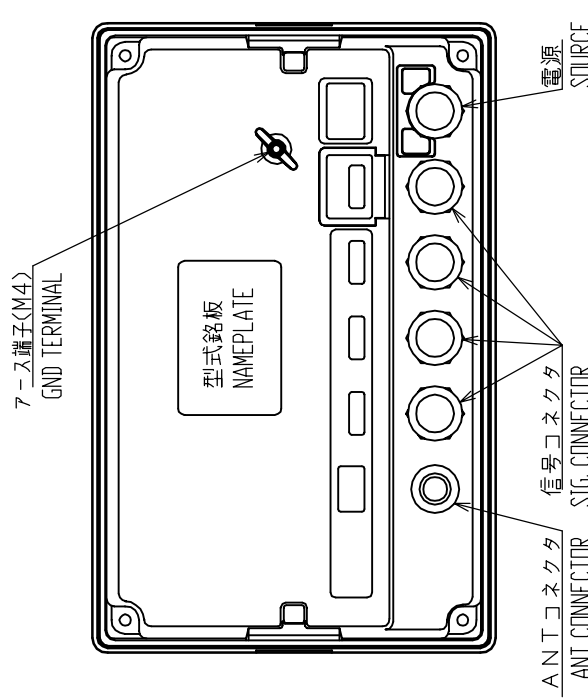
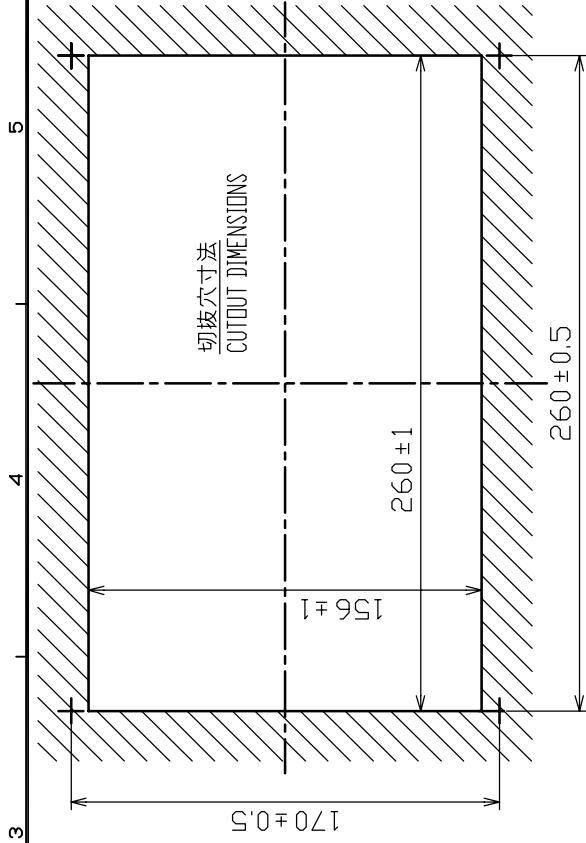
表 1 TABLE 1

寸法区分 (mm) DIMENSIONS	公差 (mm) TOLERANCE
L ≤ 50	± 1.5
50 < L ≤ 100	± 2.5
100 < L ≤ 500	± 3

表 2 TABLE 2

仕様 MODEL	質量 (kg±10%) MASS
ビーコン有り W/ BEACON	2.4
ビーコン無し W/O BEACON	2.2

切抜穴寸法  
CUTOUT DIMENSIONS

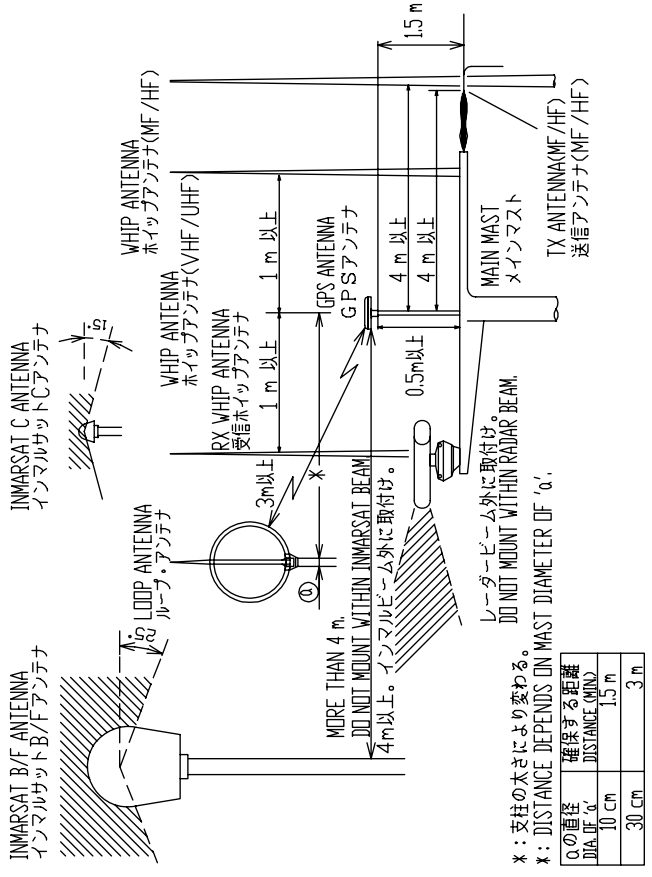


- 注記 1) #印寸法は最小カーブス間寸法とする。  
 2) 指定外の寸法公差は表 1 による。  
 3) 取付用ネジは + トラスタップピンネジ呼び径 5 × 2.0 を使用のこと。
- NOTE 1. # MINIMUM SERVICE CLEARANCE.  
 2. TABLE 1 INDICATES TOLERANCE OF DIMENSIONS WHICH IS NOT SPECIFIED.  
 3. USE SELF-TAPPING SCREWS 5x2.0 FOR FIXING THE UNIT.

DRAWN	Sep.15.05.E.MYDOSHII	TITLE	GP-150
CHECKED	TAKAHASHI, I	名称	受信演算部 (埋込装備 F)
APPROVED		外寸図	
SCALE	1/3	WAVE	DISPLAY UNIT (FLUSH MOUNT F)
DATE	C4440-G03-A	OUTLINE DRAWING	

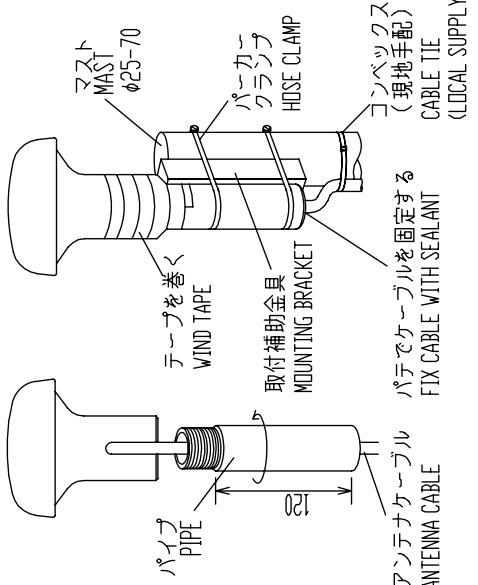
**取付位置**  
MOUNTING LOCATION

他の機器のアンテナから下の図の距離以上離す。  
THIS FIGURE SHOWS THE SEPARATION DISTANCES FROM OTHER ANTENNAS TO AVOID MUTUAL INTERFERENCE.

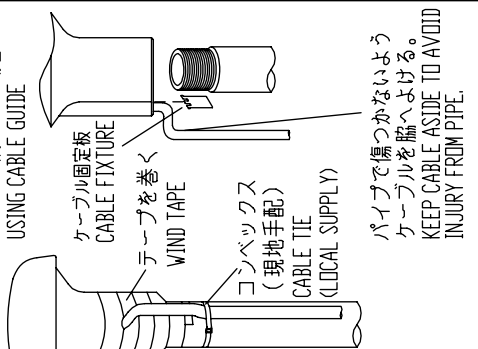


**A) マストへの取付け**  
MAST MOUNTING

α) マスト取付金具CP20-01111(工事材料)でマストに固定する。  
USE MAST MOUNTING KIT CP20-01111.



β) パイプのみを使うとき  
USE A PIPE ONLY.

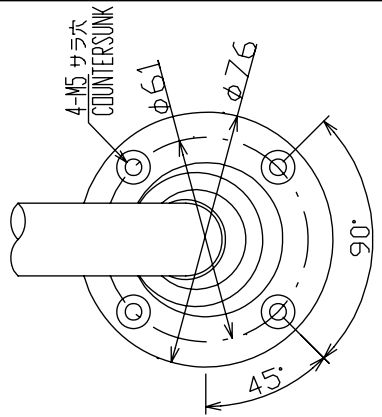


**C) 取付ける場所が傾斜しているとき**  
ANTENNA BASE MOUNTING

オプションのアンテナベースを使う。  
USE OPTIONAL ANTENNA BASE.

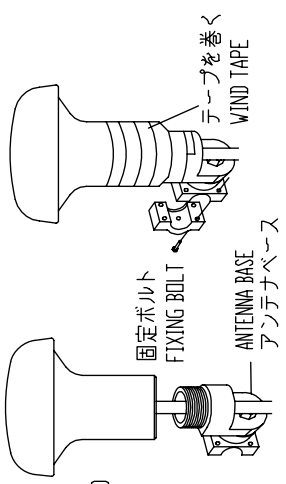
傾斜 INCLINATION	5° - 33°	32° - 65°	65° - 98°
取付方法 MOUNTING METHOD			
アンテナベース型式 ANT. BASE TYPE	直型アンテナベース RUH TYPE ANTENNA BASE No.13-QA330	L型アンテナベース L-TYPE ANTENNA BASE No.13-QA310	L型アンテナベース L-TYPE ANTENNA BASE No.13-QA310
コード番号 CODE No.	000-803-239	000-803-240	000-803-240

アンテナベース基部  
MOUNTING DIMENSIONS OF ANTENNA BASE.



**B) スタクションやパルピットにつけるときの**  
HANDRAIL MOUNTING

レール用アンテナベース No.13-RCS160  
(取付可能レール直径: φ19~φ32)  
(コード番号: 000-806-114)



USE HANDRAIL MOUNTING BASE No.13-RCS160  
(CODE No.000-806-114, OPTION).  
THE DIAMETER OF THE HANDRAIL MAY BE FROM φ19mm TO φ32mm.

注記 1) パイプやアンテナベースはアンテナユニットにねじ込んでから固定する。  
2) アンテナを固定するときはパイプ (アンテナベース) をアンテナにねじ込むこと。アンテナ側をねじるとコネクタ部やケーブルに無理がかかり、故障の原因となる。

NOTE 1. FASTEN PIPE (ANTENNA BASE) TO ANTENNA UNIT FIRST THEN FIX THEM TO MAST OR HANDRAIL.  
2. WHEN FIXING ANTENNA, TURN PIPE OR ANTENNA BASE; NOT THE ANTENNA.  
TURNING THE ANTENNA MAY TWIST THE CABLE AND PLACE STRESS ON CONNECTOR.

DRAWN	Dec 14, '05 E.MIYOSHI	TITLE	GPA series
CHECKED	TAKAHASHI.T	名称	空中線部
APPROVED	Y. Hatai	装備要領図	
SCALE	1/35	NAME	ANTENNA UNIT
DWG.No.	C4384-Y01-E	INSTALLATION PROCEDURE	

A

B

C

D

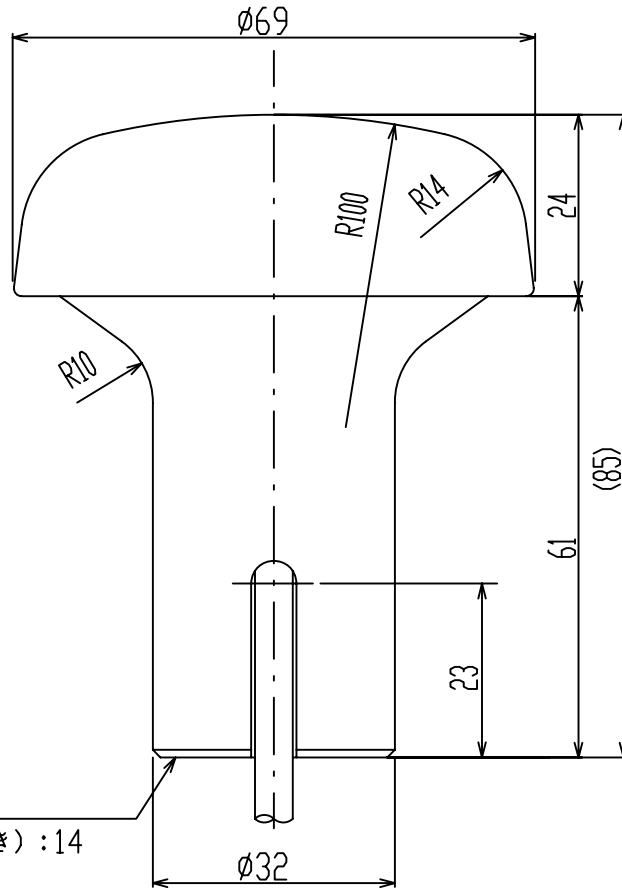


表1 TABLE 1

寸法区分(mm) DIMENSION	公差(mm) TOLERANCE
$L \leq 50$	$\pm 1.5$
$50 < L \leq 100$	$\pm 2.5$
$100 < L \leq 500$	$\pm 3$

1-14UNS1B

ねじ山数 (25.4mmにつき) : 14  
 ピッチ : 1.8143 mm  
 オネジ有効長さ : 19 mm以上  
 オネジ有効径 : 24.17mm

THREAD PER 25.4mm (1 INCH): 14  
 PITCH: 1.8143 mm  
 THREAD LENGTH: 19 mm OR MORE  
 PITCH DIAMETER: 24.17mm

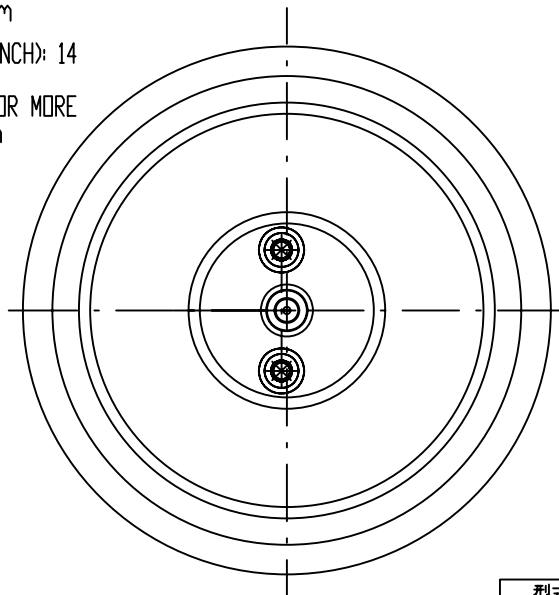


表2 TABLE 2

型式 TYPE	ケーブル長(m) CABLE LENGTH	プラグ PLUG	質量(kg±10%) MASS
GPA-017	10	TNC-P-3	0.6
GPA-017S	0.2	TNC-J-3	0.15

注記

指定外の寸法公差は表1による。

NOTE

TABLE 1 INDICATES TOLERANCE OF DIMENSIONS WHICH IS NOT SPECIFIED.

DRAWN Mar. 27 '07 T.YAMASAKI		TITLE GPA-017/017S
CHECKED Mar. 27 '07 T.TAKENO		名称 空中線部
APPROVED Mar. 27 '07 R.Esumi		外寸図
SCALE 1/1	MASS TABLE 2 表2参照	NAME ANTENNA UNIT
DWG.No. C4384-G04- L		OUTLINE DRAWING

表1 TABLE 1

寸法区分 (mm) DIMENSION	公差 (mm) TOLERANCE
$L \leq 50$	$\pm 1.5$
$50 < L \leq 100$	$\pm 2.5$
$100 < L \leq 500$	$\pm 3$

\* 1.2m以下のホイップを使用のこと。  
決してこれ以上のものを使用しないこと。  
\* USE 1.2 m OR SHORTER WHIP.  
DO NOT USE LONGER ONE.

アース線  
GND WIRE (IV-2sq.)  
(造船所手配)  
(SHIPYARD SUPPLY)

シール剤を  
塗布する  
APPLY SILICONE  
SEALANT

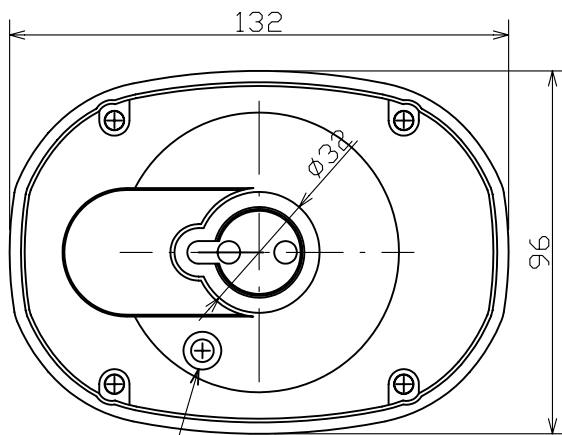
アースボルト  
(造船所手配)  
M6-M8  
STUD BOLT  
(SHIPYARD SUPPLY)

マスト  
MAST

1-14UNS1B

ねじ山数(25.4mmにつき): 14  
ピッチ: 1.8143 mm  
オネジ有効長さ: 19 mm以上  
オネジ有効径: 24.17 mm

THREADS PER INCH (25.4mm): 14  
PITCH: 1.8143 mm  
THREAD LENGTH: 19 mm OR MORE  
PITCH DIAMETER: 24.17 mm



アース端子  
GND TERMINAL

表2 TABLE 2

型式 TYPE	ケーブル長(m) CABLE LENGTH	プラグ PLAG	質量(kg±10%) MASS
GPA-018	10	TNC-P-3	0.79
GPA-018S	0.2	TNC-J-3	0.35

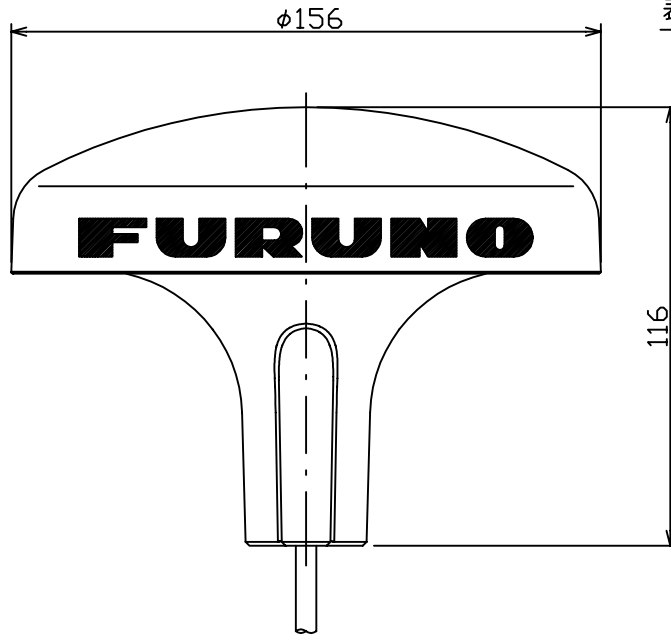
注記 1) 指定なき寸法公差は表1による。

NOTE 1. TABLE 1 INDICATES TOLERANCE OF DIMENSIONS.

DRAWN Mar. 9 '05 I.YAMASAKI	TITLE GPA-018/018S
CHECKED Mar. 9 '05 H.HAYASHI	名称 空中線部
APPROVED Feb. 19, '03 Y. Kimura	外寸図
SCALE 1/2 MASS TABLE 2 表2参照	NAME ANTENNA UNIT
DWG. No. C4385-G01-L	OUTLINE DRAWING

寸法区分(mm) DIMENSION	公差(mm) TOLERANCE
L ≤ 50	±1.5
50 < L ≤ 100	±2.5
100 < L ≤ 500	±3

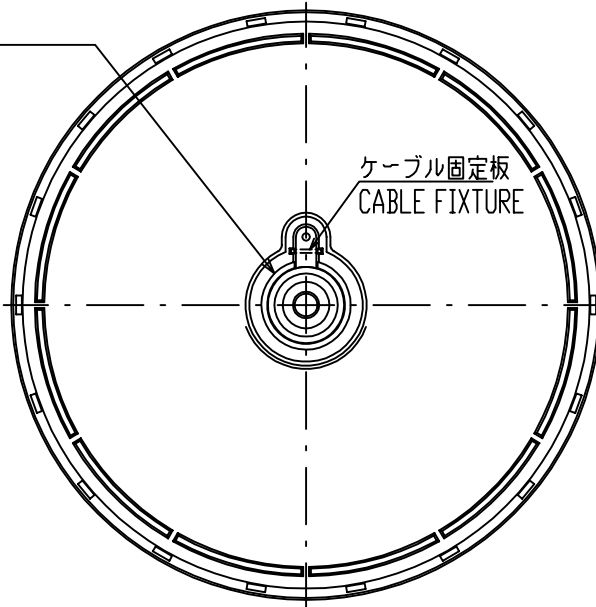
表1 TABLE 1



1-14UNS1B

ねじ山数(25.4mmにつき): 14  
 ピッチ: 1.8143 mm  
 オネジ有効長さ: 15.17 mm  
 オネジ有効径: 24.17 mm

THREAD PER 25.4mm (1 INCH): 14  
 PITCH: 1.8143 mm  
 THREAD LENGTH: 15.17 mm  
 PITCH DIAMETER: 24.17 mm



型式 TYPE	ケーブル長(m) CABLE LENGTH	プラグ PLAG	質量 (kg±10%) MASS
GPA-019	10	TNC-P-3	1.0
GPA-019S	0.2	TNC-J-3	0.54

表2 TABLE 2

注記: 指定外の寸法公差は表1による

NOTE: TABLE 1 INDICATES TOLERANCE OF DIMENSIONS.

DRAWN Feb. 19 '03 T.YAMASAKI	TITLE GPA-019/019S
CHECKED Feb. 19 '03 Y.KIMURA	名称 空中線部
APPROVED Feb. 19, '03 <i>Y. Kimura</i>	外寸図
SCALE 1/2 MASS TABLE 2 表2参照	NAME ANTENNA UNIT
DWG. No. C4400-G01-F	OUTLINE DRAWING



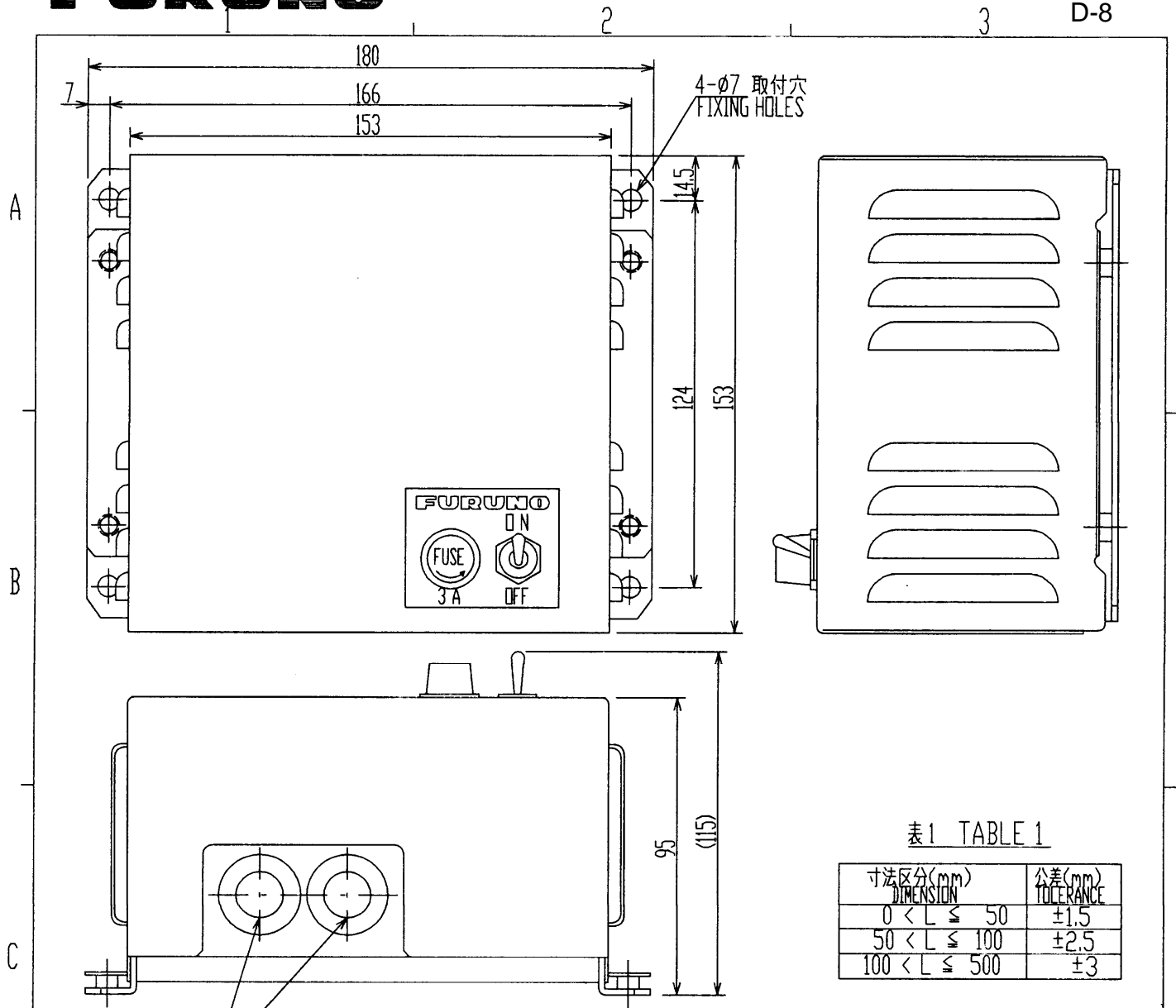


表1 TABLE 1

寸法区分(mm) DIMENSION	公差(mm) TOLERANCE
0 < L ≤ 50	±1.5
50 < L ≤ 100	±2.5
100 < L ≤ 500	±3

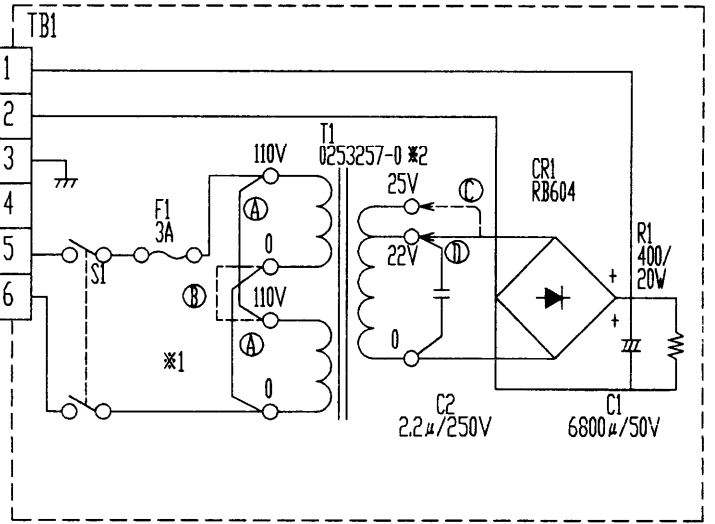
ケーブル導入口  
CABLE ENTRY

24VDC  
OUTPUT  
(2.5A max)

AC INPUT

入力電圧に応じて接続を変更して下さい。  
CHANGE TAP CONNECTIONS DEPENDING ON SUPPLY VOLTAGE.

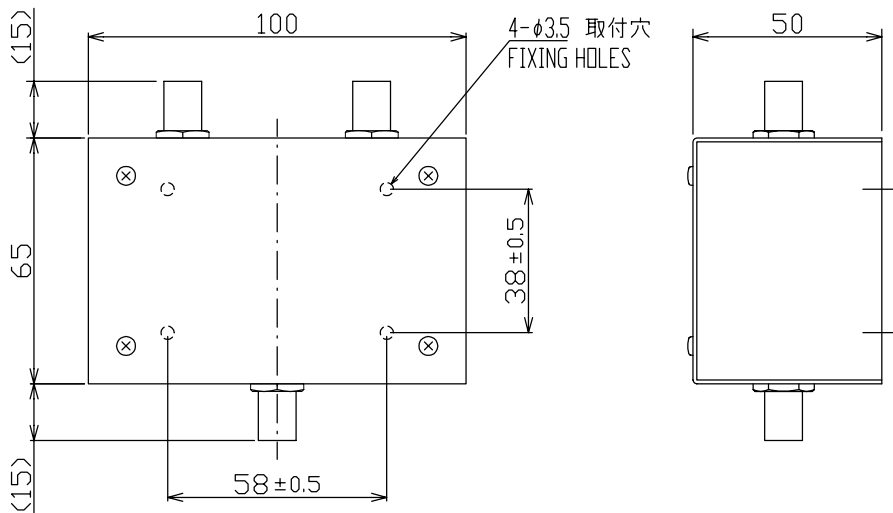
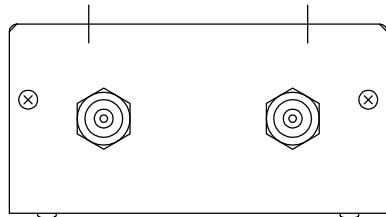
	AC100V	AC110/ 115V	AC220V	AC230V
※1	Ⓐ	Ⓐ	Ⓑ	Ⓑ
※2	Ⓒ	Ⓓ	Ⓓ	Ⓓ



DRAWN Sep. 14 '01 T.YAMASAKI	TITLE PR-62
CHECKED S. Y. K.	名称 整流器
APPROVED S. Y. K.	外寸図
SCALE 1/2 MASS ±10% 3 kg	NAME RECTIFIER
DWG.No. C5003-034-E	OUTLINE DRAWING

寸法区分(mm) DIMENSION	公差(mm) TOLERANCE
$0 < L \leq 50$	$\pm 1.5$
$50 < L \leq 100$	$\pm 2.5$
$100 < L \leq 500$	$\pm 3$

表1 TABLE 1



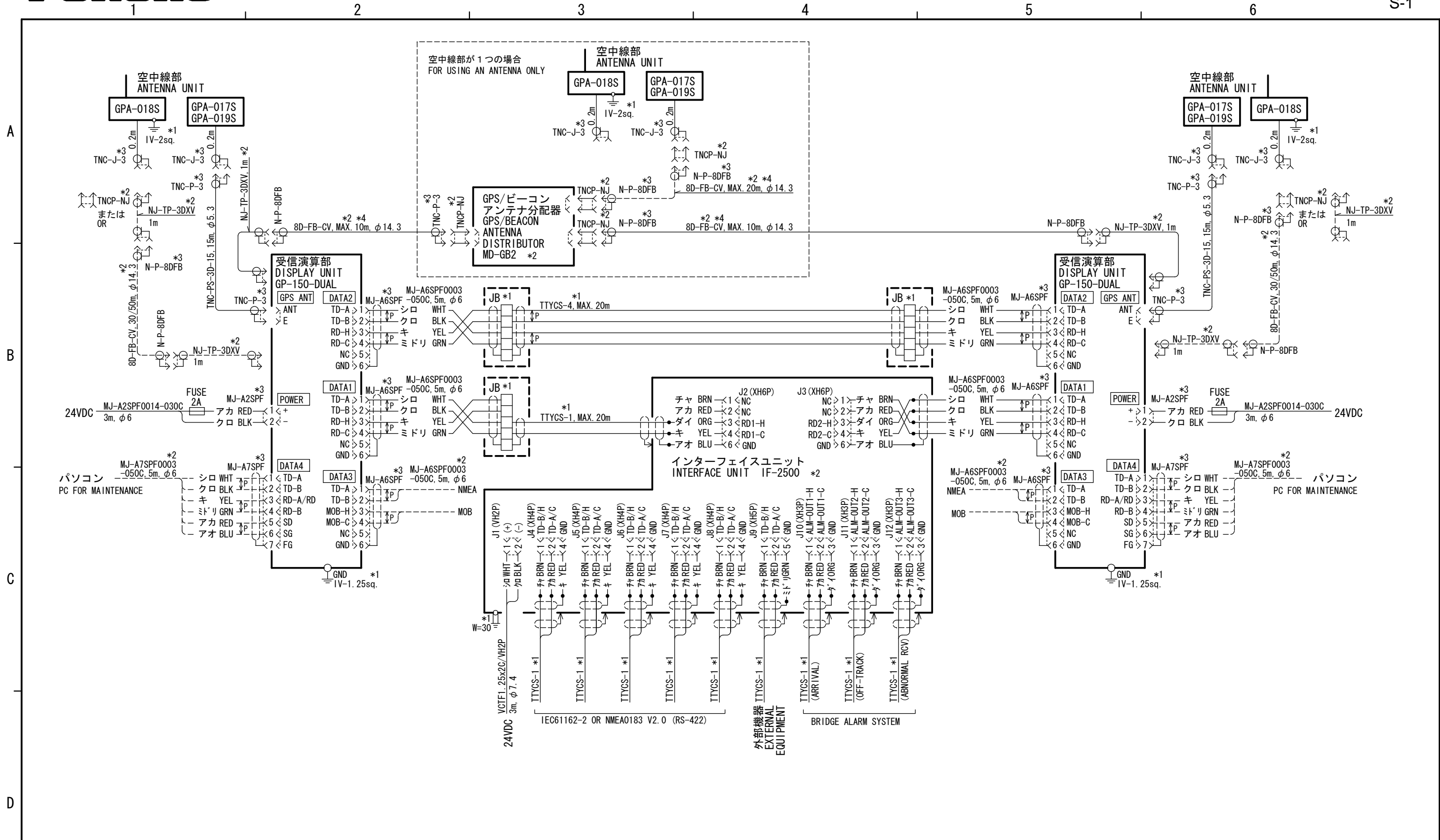
注記

1) 指定なき寸法公差は表1による。

NOTE

1. TABLE 1 INDICATES TOLERANCE OF DIMENSIONS WHICH IS NOT SPECIFIED.

DRAWN Jan. 20 '04 T.YAMASAKI		TITLE MD-GB2
CHECKED Jan. 20 '04 T.MATSUGUCHI		名称 GPS/ビーコン分配器
APPROVED Jan. 13 '04 <i>Matsuguchi</i>		外寸図
SCALE 1/2	MASS 0.15 ±10% kg	NAME GPS/BEACON DISTRIBUTOR
DWGNo. C4006-G03-B		OUTLINE DRAWING



注記  
 \* 1) 造船所手配。  
 \* 2) オプション。  
 \* 3) 工場にて取付済み。  
 \* 4) 損失が合計6dB以下になるようケーブル長を調節する。(8D-FB:0.165dB/m, 3D-2V:0.65dB/m)

NOTE  
 \*1: SHIPYARD SUPPLY.  
 \*2: OPTION.  
 \*3: FITTED AT FACTORY.  
 \*4: ADJUST CABLE LENGTH FOR TOTAL LOSS WITHIN 6dB. (8D-FB:0.165dB/m, 3D-2V:0.65dB/m)

DRAWN	15/Apr/08 T. YAMASAKI	TYPE	GP-150-DUAL
CHECKED	15/Apr/08 T. TAKENO	名称	GPS航法装置
APPROVED	28/Apr/08 R. Esumi		相互結線図
SCALE	MASS	NAME	GPS NAVIGATOR
DWG. No.	C4441-C01- D		INTERCONNECTION DIAGRAM

# INDEX

---

## A

- Alarms 7-1-7-4
  - anchor watch 7-2
  - arrival 7-1
  - clearing aural and visual alarms 7-1
  - cross track error (XTE) 7-2
  - depth 7-4
  - disabling 7-1
  - speed 7-3
  - trip 7-3
  - water temperature 7-4
- Altitude unit 8-4
- Anchor watch alarm 7-2
- Apportioning the memory 2-5
- Arrival alarm 7-1

## B

- Bearing reference 2-5
- Brilliance adjustment 1-3

## C

- Centering own ship 2-2
- Centering the cursor 2-2
- Contrast adjustment 1-3
- Control description 1-1
- Course bar tone 8-5
- Cross track error (XTE) alarm 7-2
- Cursor
  - centering 2-2
  - cursor state and data 2-1
  - shifting 2-2
  - size 8-5

## D

- Data display 6-1
- Data output 8-6-8-7
- Decca chains AP-7
- Demo display 6-4
- Depth alarm 7-4
- Depth unit 8-4

- Destination
  - cancelling 5-5
  - setting by cursor 5-1
  - setting by MOB/event position 5-3
  - setting through waypoint list 5-3
  - setting using route 5-4

DGPS station selection 8-10

Diagnostic tests

- display 9-6
- keyboard 9-5
- memory and I/O ports 9-5

Disabling satellites 8-2

Display mode 1-3

Display orientation 2-1

Display test 9-6

Distance unit 8-4

DOP 1-2, 9-4

## E

Enlarging characters 8-6

Enlarging the display 2-1

Enter

- event marks 3-2
- marks 3-1
- MOB mark 3-3
- position 8-4
- routes 4-6
- waypoints at own ship's position 4-3
- waypoints by cursor 4-1
- waypoints by LOPs 6-3
- waypoints by MOB/event position 4-3
- waypoints through waypoint list 4-4

Erase

- entire route 4-8
- marks (all types) 3-1
- route waypoints 4-7
- route waypoints (flags) 5-6
- track 2-3
- waypoints by cursor 4-5
- waypoints through route list 4-5

Error messages 9-2

Event mark

- setting as destination 5-3

Event marks

- entering 3-2
- shape 3-3

# INDEX

## F

Fix mode 8-2

## G

Geodetic chart list AP-5

Geodetic datum 8-2

GPS memory clearing 9-1

GPS menu

description 8-1

disabling satellites 8-2

fix mode 8-2

geodetic datum 8-2

GPS position smoothing 8-3

GPS speed smoothing 8-1

position offset 8-2

speed averaging 8-1

time difference 8-2

GPS monitor display 8-11

GPS position smoothing 8-3

GPS speed smoothing 8-3

Great circle 5-7

Grid tone 8-5

## I

I/O port test 9-5

Interface unit

output data conventions 1-8

## K

Keyboard test 9-5

## L

Loran C chains AP-6

## M

Magnetic bearing 2-5

Magnetic variation 2-6

Maintenance 9-2

Marks

connecting 3-2

entering 3-1

entering event marks 3-2

entering MOB mark 3-3

erasing (all types) 3-1

event mark shape 3-3

shape 3-2

waypoint mark size 8-5

Memory

apportioning 2-5

clearing 9-1

testing 9-5

Menu tree AP-1

MOB mark

entering 3-3

setting as destination 5-3

## O

Outputting data 8-6-8-8

## P

Personal computer operation

loading lighthouse/buoy data 8-8

loading waypoint/route data 8-9

saving data to 8-4

Plotter memory clearing 9-1

Position

displaying in L/L or LOPs 6-2

entering 8-4

GPS position smoothing 8-3

Position format (L/L or LOP) 6-2

Position offset 8-3

## R

Range and bearing between two points 5-7

Rhumb line 5-7

Routes

entering 4-6

erasing 4-8

erasing route waypoints 4-7

erasing route waypoints (flags) 5-6

replacing route waypoints 4-7

setting as destination 5-4

skipping waypoints 5-5

## S

Shift

cursor 2-2

display 2-2

Shrinking the display 2-1

Specifications SP-1

Speed alarm 7-3

Speed averaging 8-3

System configuration vi

## **T**

Time difference 8-4

Time mark tone 8-5

### Track

erasing 2-3

plotting interval 2-4

starting/stopping plotting 2-2

Transmitting data 1-6

Trip alarm 7-3

Troubleshooting 9-4-9-6

automatic testing (all tests) 9-6

display test 9-6

keyboard test 9-5

memory and I/O port test 9-5

True bearing 2-5

## **W**

Water temperature alarm 7-4

Water temperature unit 8-4

### Waypoints

editing 4-5

entering at own ship's position 4-3

entering by cursor 4-1

entering by LOPs 6-3

entering by MOB/event position 4-3

entering through waypoint list 4-4

erasing by cursor 4-5

loading from YEOMAN 8-9

mark size 8-5

setting as destination 5-3

skipping in a route 5-5

World time standards AP-4

## **X**

XTE alarm. *See* cross track error (XTE) alarm

## **Y**

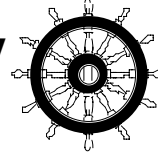
YEOMAN 8-9

**FURUNO****FURUNO ELECTRIC CO., LTD.**

9-52 Ashihara-Cho, Nishinomiya City, 662-8580, Hyogo, Japan

Tel: +81 798-65-2111 Fax: +81 798-65-4200

Pub NO. DOC-859

**Declaration of conformity****0560**We **FURUNO ELECTRIC CO., LTD.**

(Manufacturer)

9-52 Ashihara-Cho, Nishinomiya City, 662-8580, Hyogo, Japan

(Address)

hereby declare under our sole responsibility that the product

GPS navigator Types: GP-150 and GP-150-DUAL consisting of Display unit (GP-150 or GP-150-DUAL), Antenna unit (GPA-017S, GPA-018S or GPA-019S), Interface unit (IF-2500 for GP-150-DUAL) and GPS/beacon distributor (MS-GB2 for GP-150-DUAL)

(Model names, type numbers)

to which this declaration relates conforms to the following standard(s) or normative document(s)

IMO ResolutionTest standard

IMO Resolution A.819(19)

EN 61108-1: 1996-06 (IEC 61108-1 1<sup>st</sup> edition: 1996-06)

IMO Resolution MSC.112(73)

EN 61108-1: 2003-07 (IEC 61108-1 2<sup>nd</sup> edition: 2003-07)

IMO Resolution A.694(17)

EN 60945: 1997-01 (IEC 60945 3<sup>rd</sup> edition: 1996-11)EN 60945: 2002 (IEC 60945 4<sup>th</sup> edition: 2002-08)EN 61162-1: 2000-07 (IEC 61162-1 2<sup>nd</sup> edition: 2000-07)

(title and/or number and date of issue of the standard(s) or other normative document(s))

For assessment, see

- EC type-examination (Module B) certificate N<sup>o</sup>: 06212001/AA/00; USCG Approval N<sup>o</sup>: 165.130/EC0560/06212001 of 19 January 2006 issued by Telefication BV, The Netherlands
- Production Quality System (Module D) certificate No. P 112 of 20 May 2005 issued by Telefication BV, The Netherlands
- Test reports 99383230 of 2 July 2003 issued by Telefication BV, The Netherlands
- Test Reports No. FLI 12-03-014 of 12 June 2003, FLI 12-02-040 of 29 August 2003, FLI 12-03-065 of 19 December 2003 and FLI 12-05-047 of 26 October 2005 prepared by Furuno Labotech International Co., Ltd., Nishinomiya, Japan

This declaration is issued according to the provisions of European Council Directive 96/98/EC on marine equipment modified by the Commission Directive 2002/75/EC.

On behalf of Furuno Electric Co., Ltd.

Nishinomiya City, Japan  
January 24, 2006

(Place and date of issue)

Hiroaki Komatsu  
Manager,  
International Rules and Regulations

(name and signature or equivalent marking of authorized person)