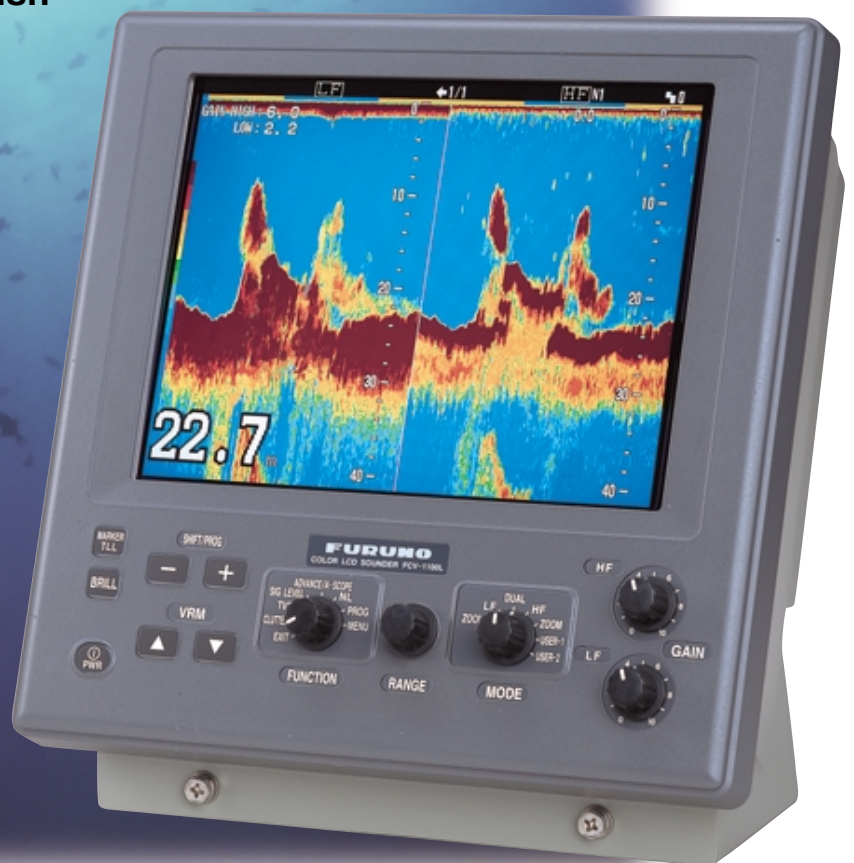


# FURUNO®

## COLOR LCD VIDEO SOUNDER

### Model FCV-1100L

- High performance, dual-frequency sounder
- FURUNO Free Synthesizer (FFS) transceiver design allows use of User-Selectable operating frequencies (28/38/50/68/88/107/200 kHz)
- FFS design provides easy retrofit of fish finder by using an existing transducer
- The daylight bright 10.4" color TFT LCD presents fish and bottom reading in 16 colors
- Unique split range control allows independent range settings in dual-frequency mode
- Alarms for water depth, fish and water temperature



The future today with FURUNO's electronics technology.

## FURUNO ELECTRIC CO., LTD.

9-52 Ashihara-cho, Nishinomiya City, Japan Telephone: +81 (0)798 65-2111  
Telefax: +81 (0)798 65-4200, 66-4622

Catalogue No. E-385

TRADE MARK REGISTERED  
MARCA REGISTRADA

# A variety of Display modes ensure effecti

The FCV-1100L is a new color LCD sounder designed for a variety of fishing operations. The FURUNO Free Synthesizer (FFS) transceiver permits user selection of operating frequency among 28, 38, 50, 69, 88, 107 and 200 kHz. Output power is also selectable among 1, 2 and 3 kW with the transducer in use.

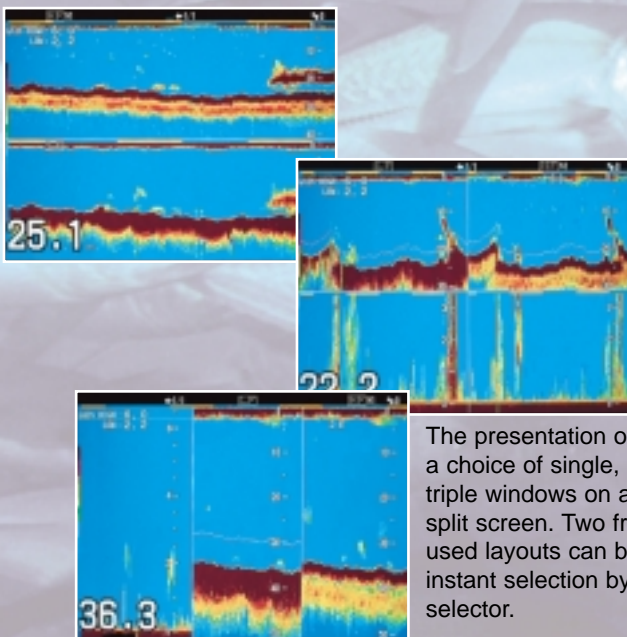
The daylight bright 10.4" TFT color LCD displays clear-cut echoes in 16 colors. One of the 16 colors can be displayed in white to emphasize a specific echo level. The background color can be selected from black, dark blue, blue, light blue and white for optimum viewing day and night.

The FCV-1100L offers a variety of display modes; normal (low frequency, high frequency or both), triple, bottom-lock expansion and ground discrimination, zoom, A-scope, mix and Nav data mode. The FCV-1100L can be customized for two most frequently used modes.

The advanced user interface offers simple and straightforward operation by combination of rotary controls and buttons.

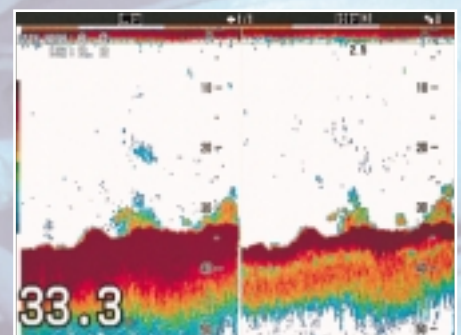


Screen layout



The presentation offers a choice of single, double or triple windows on a vertically split screen. Two frequently used layouts can be preset for instant selection by the mode selector.

Change of display color

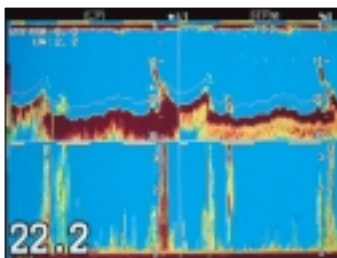


The background color can be chosen from blue, dark blue, light blue and white. The white background is especially useful for observation under the direct sunlight. The brilliance is adjustable with a single button.



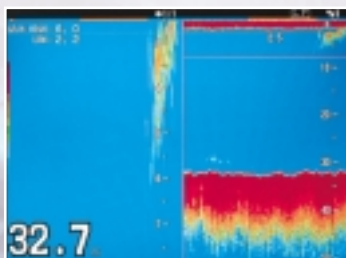
# and straightforward operation the fish detection

## Bottom-lock expansion



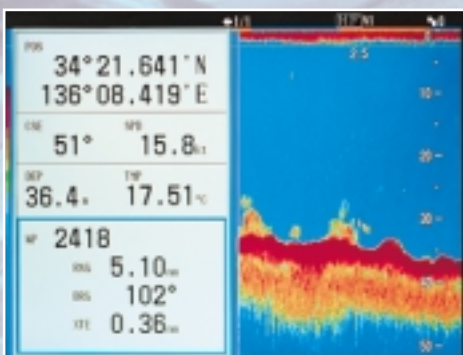
The bottom is displayed as a straight line (above left), regardless of bottom contour, emphasizing the bottom fish.

## Zoom



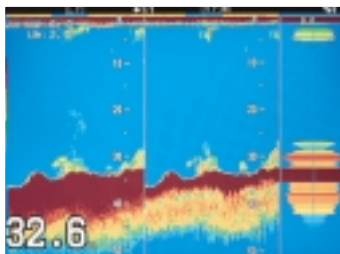
Zoom-in area can be freely moved for close observation.

## Nav Data mode



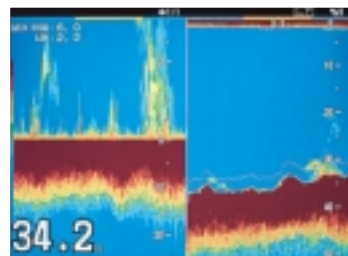
When the FCV-1100L is connected with GPS or other appropriate sensors, the NAV data mode is available. It shows own ship's position, speed, waypoint data, XTE, water depth and temperature.

## Dual frequency with A-scope



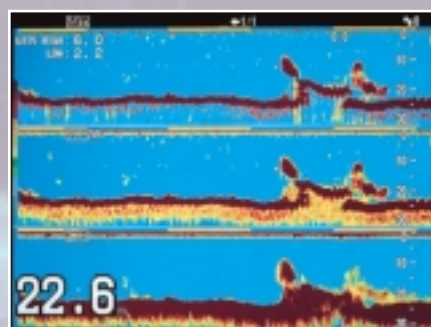
The Dual frequency operation assures better discrimination using a high frequency and deeper range and penetration using a low frequency simultaneously. The A-scope shows an instantaneous echo envelope at each ping, clearly showing echo differential and positional relationship. This is useful for closer observation of target depths.

## Ground discrimination



The ground is displayed as a straight line. Echoes immediately below this line will have enhanced bottom tails. Harder bottom creates darker and longer tails. The material and hardness of the bottom can be easily evaluated by color and tail lengths.

## Mix mode



Mix  
HF  
LF

Mix mode places the preference on the high frequency sounding over the low frequency and displays objects resulting from the strong reddish brown echoes by the HF (high frequency) transducer. The weaker HF echoes are compared to those of the same color from the LF. If the LF echoes are stronger, they are displayed in an originally assigned color.

This means that if an echo appears in orange or lighter, it is probably a small fish school. If it is red only, with a little light blue patch, it is probably a larger fish school.

## SPECIFICATIONS OF FCV-1100L

- 1. Display** 10.4" TFT color LCD  
(VGA: 640 x 480 pixels)
- 2. Display Mode** Single (LF or HF), Dual, Triple Zoom, Bottom-lock Expansion, Mix and A-scope
- 3. Basic Ranges:** Any ranges customized between 5 and 200 m including 20 and 200 m  
Foot, Fathom, Passi/Braza may be selected  
**Marker Zoom/Bottom-lock Expansion Ranges:** 5-200 m
- Range Phasing:** Up to 2000 m (Max depth: 4000 m)
- Zoom Ranges:** 5-200 m including 20 m and 200 m (preset on menu)
- 4. Pulselength and Pulse Repetition Rate** 0.2-5.0 ms, 20-3000 pulses/min
- 5. Picture Advance** 0, 1/16, 1/8, 1/4, 1/2, 1 or 2 lines/tx
- 6. Data Interface** (NMEA 0183 Ver. 1.5, 2.0 or 3.0; Any talker)  
Input: BWC, GGA, GLC, GLL, GTD, MTW, RMA, RMB, RMC, VHW, VTG, XTE  
Output: SDDBS, SDDBT, SDDPT, SDTTL, VWVHW, YCMTW
- 7. Alarms** Audio-visual alarms for a preset depth of water and fish and a preset value of water temperature
- 8. Output Power** 1, 2 or 3 kW  
(depending on the transducer type)
- 9. Operating Frequencies**  
The synthesized transceiver works on dual frequencies at 28/38/50/68/88/107/200 kHz.

### POWER SUPPLY

12-24 VDC, 40 W max. 115/230 VAC with optional rectifier

### ENVIRONMENTAL CONDITIONS (IEC 60945 testing)

Display Unit: - 15 °C to +55 °C

Water Resistance: IEC IPX5, USCG CFR 46 (Display Unit)

### EQUIPMENT LIST

#### Standard

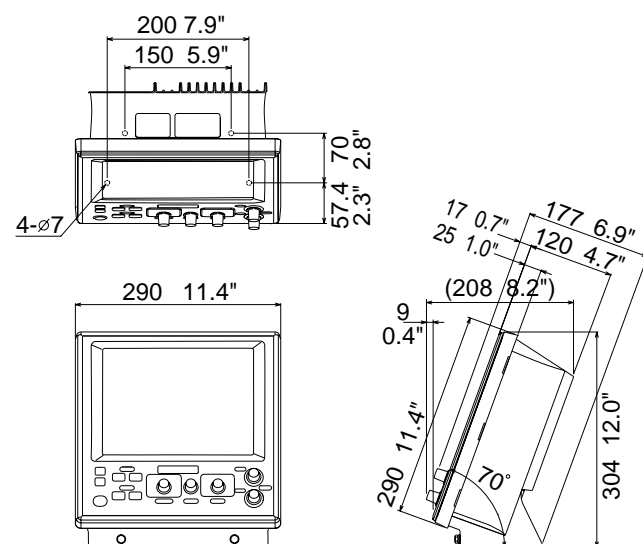
1. Display Unit FCV-1100L
2. Installation Materials and Standard Spare Parts

#### Optional

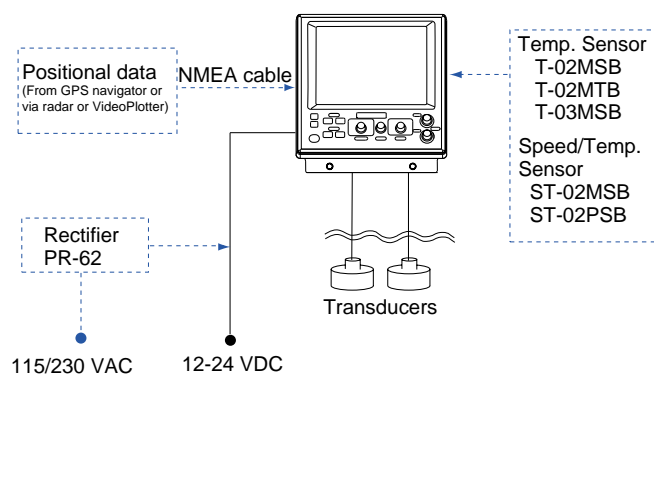
1. Speed/temperature sensor  
ST-02MSB (Thru-hull, bronze), ST-02PSB (Thru-hull, plastic)
2. Temperature sensor  
T-02MSB (Thru-hull, bronze), T-02MTB (Transom, bronze), T-03MSB (Thru-hull, bronze)
3. Rectifier PR-62
4. Transducer (Specify the frequency and type of transducer)  
1 kW: 28F-8 (28 kHz), 50B-6/6B (50 kHz), 50B-9/9B (50 kHz), 50F-8G (50 kHz), 88B-8 (88 kHz), 200B-5S (200 kHz)  
2 kW: 28F-18 (28 kHz), 50B-12 (50 kHz), 88B-10 (88 kHz), 200B-8N (200 kHz), 200B-8/8B (200 kHz)  
3 kW: 28F-24H (28 kHz), 50B-24H (50 kHz), 88F-126H (88 kHz), 100B-10R (107 kHz), 150B-12H (150 kHz), 200B-12H (200 kHz)

### DISPLAY UNIT

**FCV-1100L** 6.5 kg 14.3 lb



### INTERCONNECTION DIAGRAM



SPECIFICATIONS SUBJECT TO CHANGE WITHOUT NOTICE

01075 Printed in Japan

#### FURUNO U.S.A., INC.

Camas, Washington, U.S.A.  
Phone: +1 360-834-9300 Telefax: +1 360-834-9400

#### FURUNO (UK) LIMITED

Denmead, Hampshire, U.K.  
Phone: +44 2392-230303 Telefax: +44 2392-230101

#### FURUNO FRANCE S.A.

Bordeaux-Mérignac, France  
Phone: +33 5 56 13 48 00 Telefax: +33 5 56 13 48 01

#### FURUNO ESPANA S.A.

Madrid, Spain  
Phone: +34 91-725-90-88 Telefax: +34 91-725-98-97

#### FURUNO DANMARK AS

Hvidovre, Denmark  
Phone: +45 36 77 45 00 Telefax: +45 36 77 45 01

#### FURUNO NORGE A/S

Ålesund, Norway  
Phone: +47 70 102950 Telefax: +47 70 127021

#### FURUNO SVERIGE AB

Västra Frölunda, Sweden  
Phone: +46 31-7098940 Telefax: +46 31-497093

#### FURUNO SUOMI OY

Helsinki, Finland  
Phone: +358 9 341 7570 Telefax: +358 9 341 5716