

# FURUNO®

## FULL-CIRCLE MULTI-BEAM COLOR SCANNING SONAR

### Model CSH-5L

- 360 degree transmission for instant detection of fish schools all around the vessel
- High power transmitter for long range fish detection and determining changing seabed conditions
- Audio search to relieve the skipper from continuous watch on screen
- Automatic tilt scanning to observe depth, range and bearing of a targeted fish school
- Compact hull unit to facilitate easy installation



The Furuno CSH5-L is a cost-effective full-circle, multi-beam scanning sonar. It rapidly detects and displays individual fish, fish schools and changing underwater conditions. Fish distribution and seabed conditions in 360 degrees around your vessel are shown in 16 colors on a XGA LCD display.

The CSH-5L is provided in a Blackbox configuration for a space saving and flexible installation. There are three basic operating modes; normal sonar scan, sonar scan plus echo sounder and audio sector search. Audio search frees the skipper from a continuous watch on the screen and often helps him detect fish schools earlier than visual observation. A resultant A-scope echogram shows strengths of the echoes within the audio sector. Automatic tilt scanning and target lock are standard features, making the CSH-5L suitable for both midwater trawlers and purse seiners.

For short and long range operation, 16 range scales are available for use from 50 to 1600 meters. There are 4 user defined function keys, F1 thru F4, provided for rapid setup and operation of the CSH-5L.

The CSH-5L displays own ship's position, speed, course, heading and water temperature when connected with appropriate sensors such as GPS, satellite compass and an echo sounder. The data is conveniently shown on the right side of the display.

The CSH-5L Color Scanning Sonar consists of a compact hull unit, transceiver unit and processor unit. The display unit can be selected from a locally supplied XGA color monitor or the optional MU-150C color LCD display. For a remote station a second display may be simply plugged into the processor unit.



© The future today with FURUNO's electronics technology.

**FURUNO ELECTRIC CO., LTD.**

9-52 Ashihara-cho, Nishinomiya City, Japan Telephone: +81 (0)798-65-2111  
Fax: +81 (0)798 65-4200, 66-4622 URL: www.furuno.co.jp

Catalogue No. E-394

TRADE MARK REGISTERED  
MARCA REGISTRADA

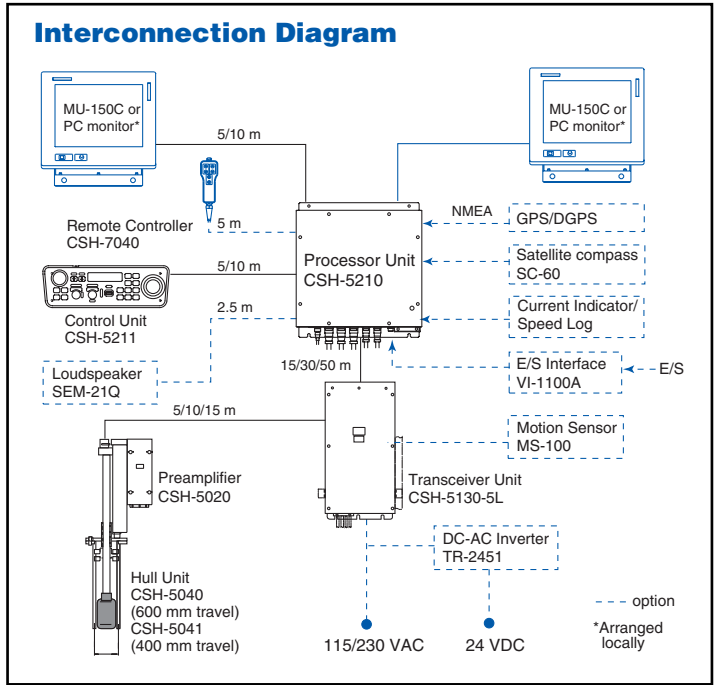
# SPECIFICATIONS OF CSH-5L

- Display** 15" color LCD, FURUNO MU-150C, or PC monitor, 1024 x 768 pixels (XGA monitor)
- Menu Language** English, Spanish, French, Italian, Danish, Norwegian, Swedish, Hankul
- Echo Presentation Colors** 16 colors representing echo strengths
- Operating Modes** Normal sonar scan, Combination of normal and echo sounder, Combination of normal and audio search
- Sonar Frequency** 55 or 68 kHz
- Range Scales** 50, 85, 100, 150, 200, 250, 300, 350, 400, 450, 500, 600, 800, 1000, 1200, 1600 m
- Echo Sounder Range** 20, 40, 80, 120, 160, 240, 320 m
- Pulselength (depending on range scales)** 0.5 to 20 ms
- Ship Speed** 18 kt max (raise/lower operation up to 16 kt)
- Tilt** Manual control: 0° to 55° in 1° steps  
Automatic tilt scan: 4° to 26°
- Audio Search** Sector: 20°, 40°, 80°, 120°  
Audio Output: 2 W, Frequency, 800 Hz
- Power Supply** 115/230 VAC, 50-60 Hz, 0.4 kVA  
(Raise 1 kVA)  
24 VDC with optional DC-AC inverter

- Optional**
1. DC-AC Inverter TR-2451
  2. Interface Unit VI-1100A
  3. Remote Controller CSH-7040
  4. Loudspeaker SEM-21Q
  5. Motion Sensor MS-100

## EQUIPMENT LIST

- Standard**
- |   |        |
|---|--------|
| 1. Processor Unit CSH-5210                | 1 unit |
| 2. Control Unit CSH-5211                  | 1 unit |
| 3. Transceiver Unit CSH-5130-5L           | 1 unit |
| 4. Pre-amplifier CSH-5020                 | 1 unit |
| 5. Hull Unit 400 mm or 600 mm travel      | 1 unit |
| 6. Installation Materials and Spare Parts | 1 set  |
- Display Unit MU-150C is not supplied as standard.



<p><b>Processor Unit CSH-5210</b> 3.4 kg 7.5 lb</p>	<p><b>Control Unit CSH-5211</b> 3.5 kg 7.7 lb</p>	<p><b>Hull Unit CSH-5041</b> 70 kg 154 lb</p> <p>(400 mm travel)</p>	<p><b>CSH-5040</b> 75 kg 165 lb</p> <p>(600 mm travel)</p>
<p><b>Pre-amplifier CSH-5020</b> 6.5 kg 14.3 lb</p>	<p><b>Transceiver Unit CSH-5130-5L</b> 27 kg 59.5 lb</p>	<p><b>Monitor Unit MU-150C</b> 16 kg 35.3 lb</p>	

SPECIFICATIONS SUBJECT TO CHANGE WITHOUT NOTICE

03035N Printed in Japan

**FURUNO U.S.A., INC.**  
Camas, Washington, U.S.A.  
Phone: +1 360-834-9300 Telefax: +1 360-834-9400

**FURUNO (UK) LIMITED**  
Denmead, Hampshire, U.K.  
Phone: +44 2392-230303 Telefax: +44 2392-230101

**FURUNO FRANCE S.A.**  
Bordeaux-Mérignac, France  
Phone: +33 5 56 13 48 00 Telefax: +33 5 56 13 48 01

**FURUNO ESPANA S.A.**  
Madrid, Spain  
Phone: +34 91-725-90-88 Telefax: +34 91-725-98-97

**FURUNO DANMARK AS**  
Hvidovre, Denmark  
Phone: +45 36 77 45 00 Telefax: +45 36 77 45 01

**FURUNO NORGE A/S**  
Ålesund, Norway  
Phone: +47 70 102950 Telefax: +47 70 127021

**FURUNO SVERIGE AB**  
Västra Frölunda, Sweden  
Phone: +46 31-7098940 Telefax: +46 31-497093

**FURUNO SUOMI OY**  
Helsinki, Finland  
Phone: +358 9 341 7570 Telefax: +358 9 341 5716

