

RUGGED.

DOCKING STATIONS AND VEHICLE MOUNTS



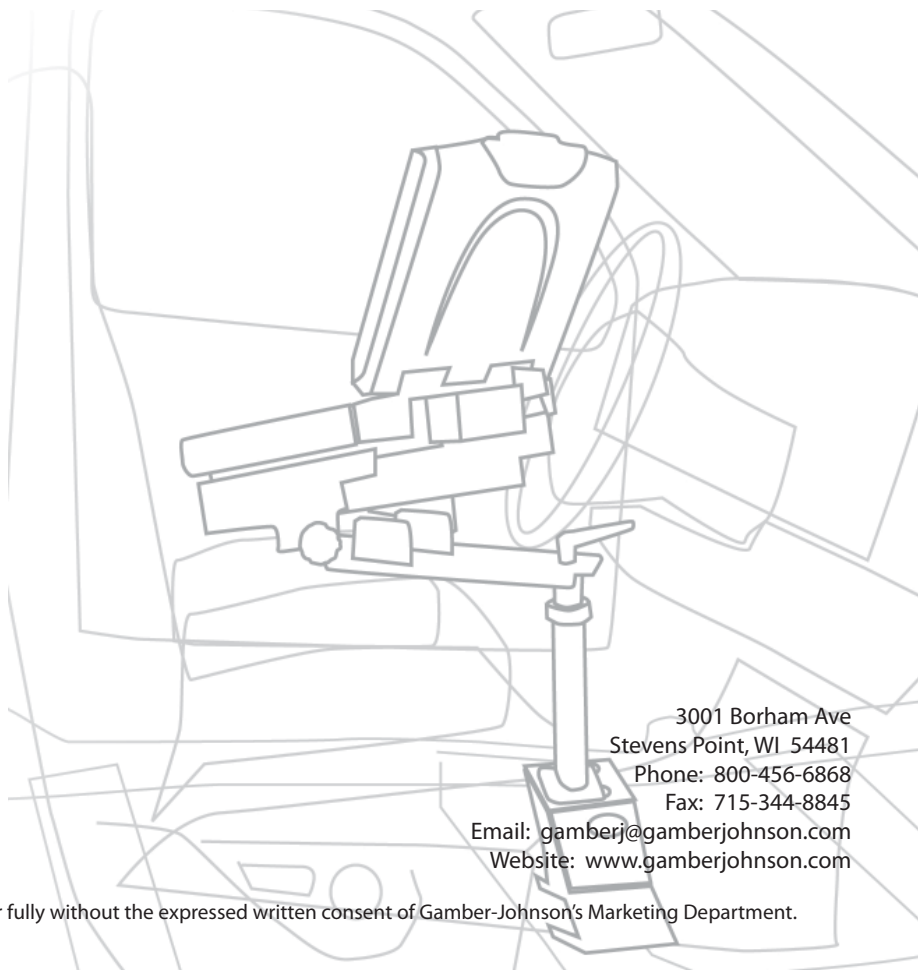
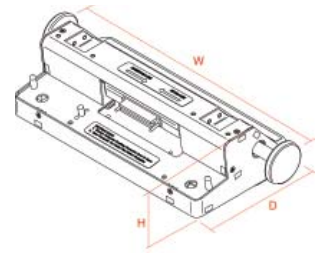
Motorola ML910 Office Dock

Weight	Height	Width	Depth
3.5 lbs	3.25"	13.5"	5.75"

Features

- Non-rugged port replication with basic I/O function of the vehicular cradles
- For use in office environments
- Safety pin feature to eliminate improper alignment of computer
- RoHS/WEEE Compliance

Item No. **7160-0031**



3001 Borham Ave
Stevens Point, WI 54481
Phone: 800-456-6868
Fax: 715-344-8845

Email: gamberj@gamberjohnson.com
Website: www.gamberjohnson.com