

# RUGGED.

## DOCKING STATIONS AND VEHICLE MOUNTS



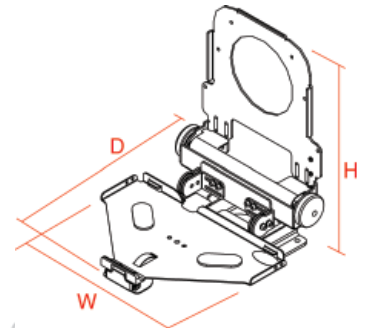
## Motorola MW800/MW810 Tilt and Swivel Folding Display and Keyboard Holder

Tilt	Swivel	Weight	Height	Width	Depth
Three tilt points: <ul style="list-style-type: none"><li>- Display can be tilted up to 45° forward/10° back toward the dash</li><li>- Keyboard can be tilted up to 90°</li><li>- Both display and keyboard can be tilted together up to 30° fore/30° aft</li></ul>	Both display and keyboard can be swiveled together up to 60° right/60° left	12.0 lbs	15.5"	12.88"	13.25"

### Features

- Designed specifically as a dash mount for mounting in fire engine or EMS cab
- Can be mounted to any flat horizontal surface
- The display can easily be tilted forward up to 45° or back toward the dash 10°
- *CPU Side-Mounting Bracket* (Item No. 7160-0072) can be used (ordered separately)
- Keyboard mount can be tilted up to 90° for typing comfort and allows the keyboard to be quickly removed and inserted
- 3 year limited warranty
- Heavy gauge steel construction for long-term durability
- Black powdercoat finish for maximum corrosion resistance

Item No. **7160-0071**



 **GAMBER  
JOHNSON**<sup>®</sup>  
Very Well Connected<sup>™</sup>

3001 Borham Ave  
Stevens Point, WI 54481  
Phone: 800-456-6868  
Fax: 715-344-8845

Email: [gamberj@gamberjohnson.com](mailto:gamberj@gamberjohnson.com)  
Website: [www.gamberjohnson.com](http://www.gamberjohnson.com)