

RUGGED.

DOCKING STATIONS AND VEHICLE MOUNTS



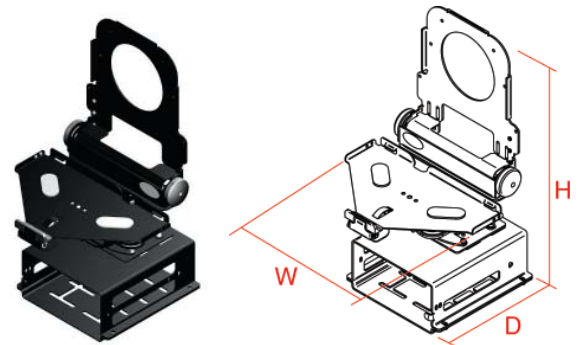
Motorola MW800/MW810 Complete Self-Contained Mounting Solution

Tilt	Swivel	Weight	Height	Width	Depth
- Display can be tilted up to 45° forward/10° back toward the dash - Keyboard can be tilted up to 90°	- Display can swivel 10° toward the driver or passenger	21.0 lbs	23.38" to 25.58"	12.88"	13.0"

Features

- Designed specifically to mount to any *MCS Top Plate* or directly to the transmission hump
- Can be mounted to any flat horizontal surface
- The display can easily be tilted forward up to 45° or back toward the dash 10°
- Display and keyboard can be adjusted up/down for optimal positioning
- CPU box designed to open easily for maintenance
- Keyboard articulating arm has 180° range of motion & can be pulled out to position the keyboard for easier typing
- Keyboard mount can be tilted up or down for typing comfort and allows the keyboard to be quickly removed and inserted
- 3 year limited warranty
- Heavy gauge steel construction for long-term durability
- Black powdercoat finish for maximum corrosion resistance

Item No. **7160-0075**



 **GAMBER®
JOHNSON**

Very Well Connected™

3001 Borham Ave
Stevens Point, WI 54481
Phone: 800-456-6868
Fax: 715-344-8845
Email: gamberj@gamberjohnson.com
Website: www.gamberjohnson.com