

RUGGED.

DOCKING STATIONS AND VEHICLE MOUNTS

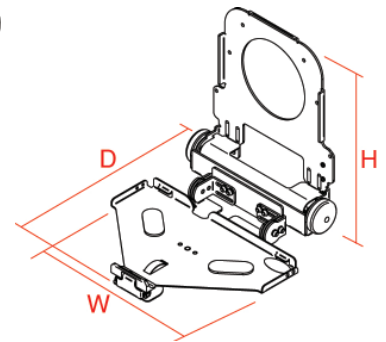


Motorola MW800/MW810 Upper Tube Mounting Solution

Tilt	Swivel	Weight	Height	Width	Depth
<ul style="list-style-type: none">- Display can be tilted 45° forward/10° back toward the dash- Keyboard can be tilted up to 90°- Both display and keyboard can be tilted together up to 30° fore/30° aft	Both Display and Keyboard can be swiveled together up to 60° right/60° left	15.5 lbs	16.34"	13.91"	6.25"

Features

- The MW800/MW810 mounting system can be placed on *Standard-Adjustable* or *Quick-Adjustable Upper Tube* (ordered separately) allowing flexibility in how far the equipment extends away from the pole towards the user. The Upper Tube can either be placed on any Gamber-Johnson *Lower Tube* or *Vehicle Base* that has a welded lower tube (ordered separately) which allows for flexibility in the systems height adjustment.
- The display can easily be tilted forward up to 45° or back toward the dash by 10°
- Keyboard mount can be tilted up to 90° for typing comfort and allows the keyboard to be quickly removed and inserted
- *CPU Side-Mounting Bracket* (Item No 7160-0072) can be used (ordered separately)
- 3 year limited warranty
- Heavy gauge steel construction for long-term durability
- Black powdercoat finish for maximum corrosion resistance



Item No. **7160-0078**



 **GAMBER
JOHNSON**[®]
Very Well Connected[™]

3001 Borham Ave
Stevens Point, WI 54481
Phone: 800-456-6868
Fax: 715-344-8845

Email: gamberj@gamberjohnson.com
Website: www.gamberjohnson.com