

INSTALLATION INSTRUCTIONS

Product

Small Clevis
7160-0162

Revision

Rev. A

Form

INST-420

The small clevis is to be mounted on a DS pole, a DS Arm, or a customer supplied mount.

CAUTION: The small clevis is rated to support a maximum unit weight of three pounds. Additional weight beyond three pounds may cause deformation in the small clevis during large sudden impacts.

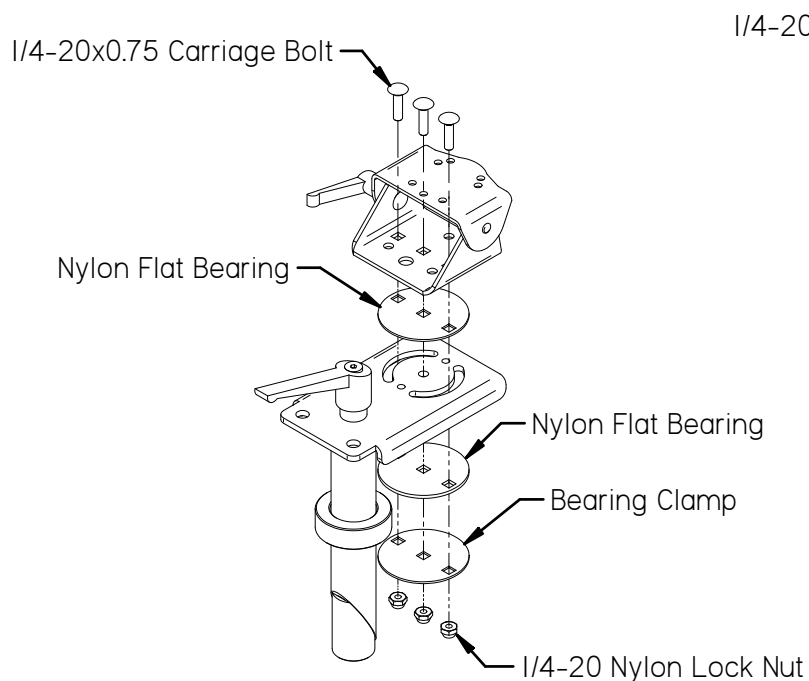


Figure 1 DS-Upper Install

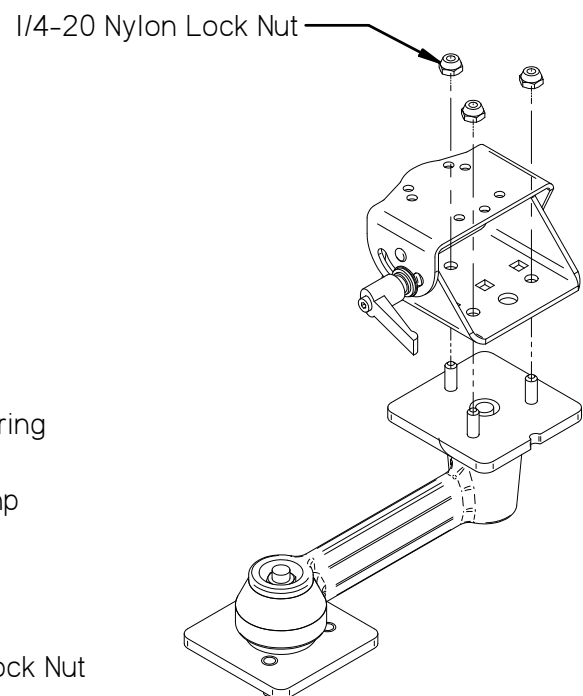


Figure 2 DS-Arm Install

DS-Upper Install

1. Assemble the small clevis with the supplied (2) nylon flat bearings and (1) bearing clamp to the DS-Upper plate with the supplied (3) 1/4-20x0.75 carriage bolts and (3) 1/4-20 nylon lock nuts as shown in Figure 1.

DS-Arm Install

1. Discard the supplied nylon flat bearings, bearing clamp, and carriage bolts.
2. Assemble the small clevis to the DS-Arm with the supplied (3) 1/4-20 nylon lock nuts as shown in Figure 2.

Product Mounting Disclaimer

Gamber-Johnson is not liable under any theory of contract or tort law for any loss, damage, personal injury, special, incidental or consequential damages for personal injury or other damage of any nature arising directly or indirectly as a result of the improper installation or use of its products in vehicle or any other application. In order to safely install and use Gamber-Johnson products full consideration of vehicle occupants, vehicle systems (i.e., the location of fuel lines, brakes lines, electrical, drive train or other systems), air-bags and other safety equipment is required. Gamber-Johnson specifically disclaims any responsibility for the improper use or installation of its products not consistent with the original vehicle manufactures specifications and recommendations, Gamber-Johnson product instruction sheets, or workmanship standards as endorsed through the Gamber-Johnson Certified Installer Program.

© copyright 2012 Gamber-Johnson, LLC

If you need assistance or have questions, call Gamber-Johnson at 1-800-456-6868