

RUGGED.

DOCKING STATIONS AND VEHICLE MOUNTS

NEW

Panasonic PDRC Pedestal Solution with Locking Keyboard Arm

Components

- Panasonic PDRC mounting bracket, locking keyboard arm and universal keyboard tray

Order Separately

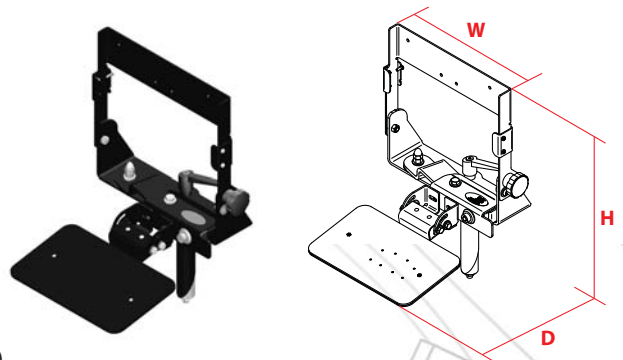
- The PDRC Pedestal Mounting Solution inserts into any Gamber-Johnson *Lower Tube* or any **Vehicle Base** with a welded pole

Weight	Height	Width	Depth
12.11 lbs	19.13" (entire mounting system will determine overall height, PDRC Screen increases height by 1.88")	12.78"	13.41"

Features

- Compatible with both 10.4" and 12.1" ToughScreens
- Display can tilt up to 95° forward from the dashboard and can be swiveled 180° toward the driver or passenger
- Keyboard arm locks into place with an audible click when pushed into stow position and has a push button release feature
- Keyboard arm can extend the keyboard 10" toward the driver or passenger and can be tilted down 10° to a positive lock or 90° vertically
- Keyboard can be attached using two different options:
 - Using the dual lock provided (dual lock is rated for 200° F)
 - Using the hole pattern specific to the Panasonic PDRC keyboard
- Keyboard underwent shock testing at MIL-STD-810G (75G, 8 millisecond) on all axes
- 3 year limited warranty
- Heavy gauge steel construction for long-term durability
- Black powdercoat finish for maximum corrosion resistance

Item No. **7160-0218**



 **GAMBER®
JOHNSON**
Very Well Connected™

3001 Borham Ave
Stevens Point, WI 54481
Phone: 800-456-6868
Fax: 715-344-8845

Email: gamberj@gamberjohnson.com
Website: www.gamberjohnson.com