



RUGGED.

DOCKING STATIONS AND VEHICLE MOUNTS

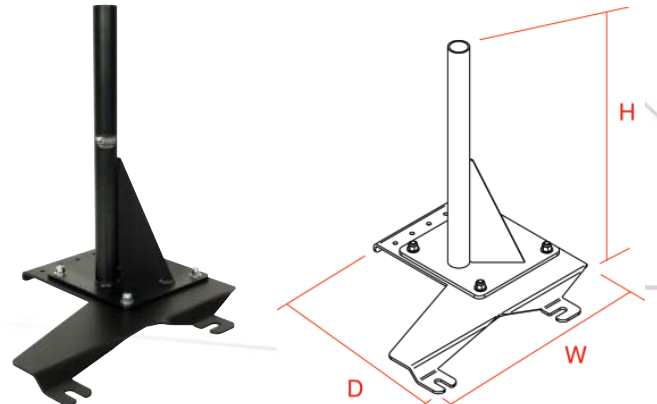
Chevrolet G-Series Van (1986-2008) Chevrolet Express Van (2001-2008) GMC G-Series Van (1986-2008) GMC Savanna Van (2001-2008)

Placement	Seat Configurations	Drilling Required	Pole	Height Adjustability	Weight	Height	Width	Depth
Passenger side inner front and back seat studs and needs to be drilled to vehicle for system strength	Bucket	No - attaches seat studs: <i>Chevrolet G-Series Van (1986-2008)</i> <i>Chevrolet Express Van (2001-2008)</i> <i>GMC G-Series Van (1986-2008)</i> <i>GMC Savanna Van (2001-2008)</i>	<i>Upper Pole</i> ordered separately <i>(Lower Tube</i> included with base)	Yes - overall 19.25" to 24.25" (depending on <i>Upper Pole</i> selected)	15.9 lbs	19.0"	17.25"	15.0"

Features

- Heavy gauge steel construction for long-term durability
- Black powdercoat finish for maximum corrosion resistance
- Two-piece designs allows entire mounting system to be quickly installed and removed from base plate
- May be used with storage box or other equipment positioned between the seats
- Provides easy access to the engine cover/dog house

Item No. DS-134



3001 Borham Ave
 Stevens Point, WI 54481
 Phone: 800-456-6868
 Fax: 715-344-8845

Email: gamberj@gamberjohnson.com
 Website: www.gamberjohnson.com