

RUGGED.

DOCKING STATIONS AND VEHICLE MOUNTS



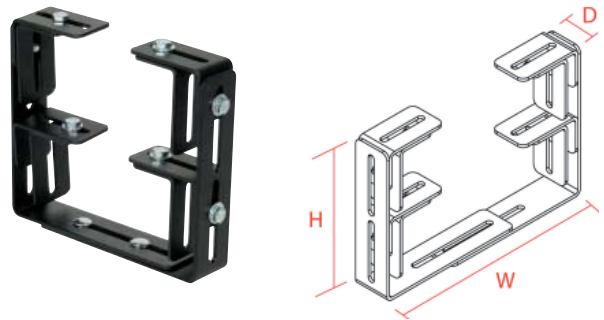
Control Head Radio Rack

Placement	Number of Radios	Weight	Height	Width	Depth
Any <i>Upper Tube Assembly</i> , <i>Complete DS Pole Assembly</i> , Vehicle Base with a welded pole or either <i>MCS Top Plate</i>	2	2.8 lbs	2.25" - 4.8"	4.0" - 9.5"	1.5"

Features

- Heavy gauge steel construction for long-term durability
- Black powdercoat finish for maximum corrosion resistance
- Mounts radios safely out of airbag deployment zone
- Radios can be tilted individually
- Accommodates radio widths 4.0" - 9.50"
- Accommodates radio heights 1.30" - 4.80"

Item No. **DS-71**



3001 Borham Ave
Stevens Point, WI 54481
Phone: 800-456-6868
Fax: 715-344-8845

Email: gamberj@gamberjohnson.com
Website: www.gamberjohnson.com