

# RUGGED.

DOCKING STATIONS AND VEHICLE MOUNTS



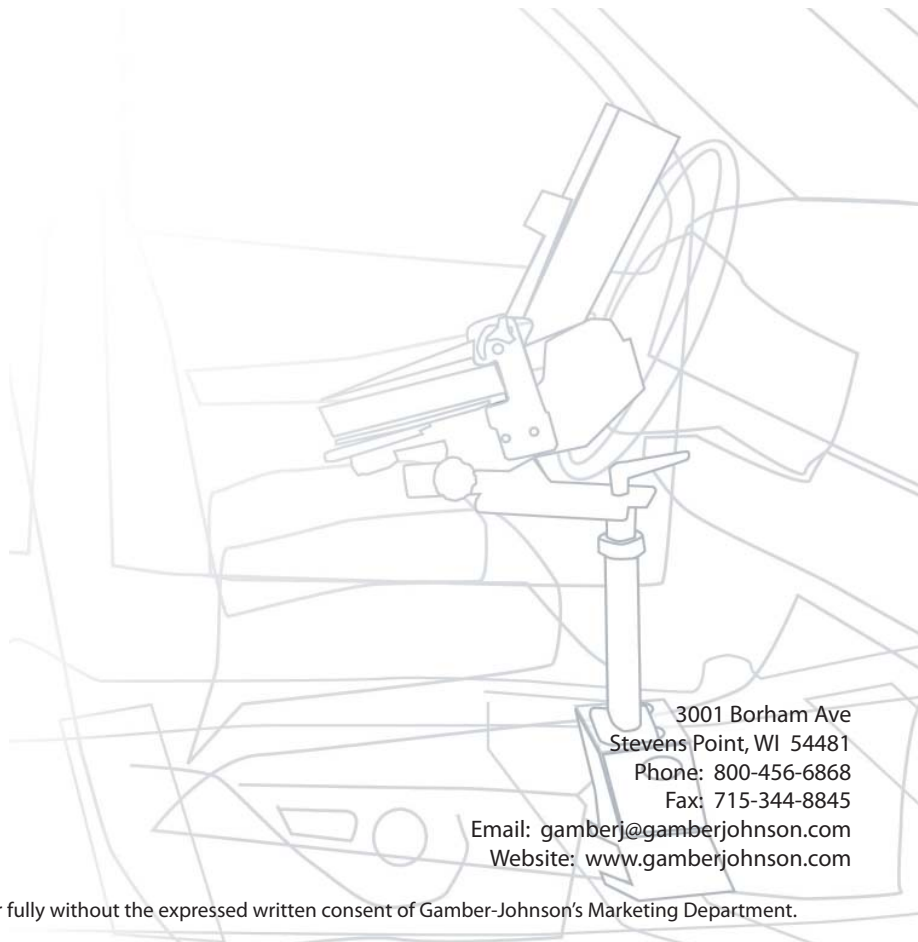
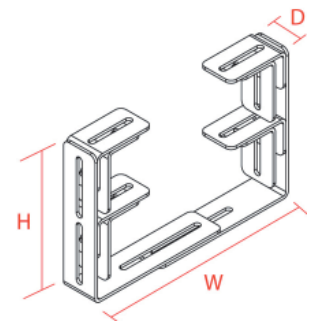
## Control Head Radio Rack

Placement	Number of Radios	Weight	Height	Width	Depth
Any <i>Upper Tube Assembly</i> , <i>Complete DS Pole Assembly</i> , <b>Vehicle Base</b> with a welded pole or either <i>MCS Top Plate</i>	4	5.0 lbs	2.25" - 4.8"	4.0" - 9.5"	1.5"

### Features

- Heavy gauge steel construction for long-term durability
- Black powdercoat finish for maximum corrosion resistance
- Mounts radios safely out of airbag deployment zone
- Radios can be tilted individually
- Accommodates radio widths 4.0" - 9.5"
- Accommodates radio heights 1.30" - 4.80"

Item No.      **DS-72**



 **GAMBER®  
JOHNSON**  
Very Well Connected™

3001 Borham Ave  
Stevens Point, WI 54481  
Phone: 800-456-6868  
Fax: 715-344-8845

Email: [gamberj@gamberjohnson.com](mailto:gamberj@gamberjohnson.com)  
Website: [www.gamberjohnson.com](http://www.gamberjohnson.com)