

RUGGED.

DOCKING STATIONS AND VEHICLE MOUNTS



Panasonic PDRC Ashtray In-Dash Solution

Components

- In-dash mounting bracket, mounting bracket, keyboard arm and universal mount

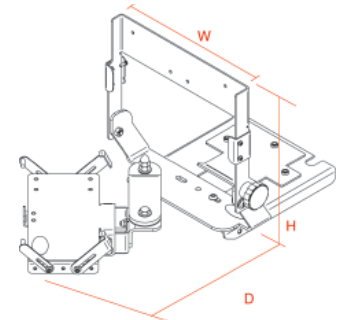
Order Separately

- The In-Dash Mounting Solution **must be supported** by either the *Ergonomic Box* (Item No. MCS-ERGOBOX12) which provides additional radio mounting space or the *In-Dash Leg Support Assembly Brackets* (Item No. NP-PDRC-KITS) both are ordered separately

Weight	Height	Width	Depth
12.0 lbs	15" (PDRC Screen increases height by 3.75")	12.0"	13.0" to 19.0"

Features

- Compatible with both 10.4" and 12.1" ToughScreens
- Design doesn't obstruct HVAC controls and provides easy access to the AM/FM radio & the trunk release button
- In-dash design attaches to the frame of the vehicle for system strength
- Display can tilt up to 120° forward from the dashboard and can be swiveled 15° toward the driver or passenger
- Keyboard arm can extend the keyboard 8" toward the driver or passenger and can be swiveled up to 180°
- Keyboard mount allows for fast removal and insertion of the keyboard
- Display and keyboard can be offset toward the passenger side creating more room for the driver
- 3 year limited warranty (printed circuit board, docking connector and all sheet metal)
- Heavy gauge steel construction for long-term durability
- Black powdercoat finish for maximum corrosion resistance



Shown with
MCS-ERGOBOX12

Item No. **NP-PDRC-IND4**



3001 Borham Ave
Stevens Point, WI 54481
Phone: 800-456-6868
Fax: 715-344-8845

Email: gamberj@gamberjohnson.com
Website: www.gamberjohnson.com