

# RUGGED.

## DOCKING STATIONS AND VEHICLE MOUNTS



## Panasonic PDRC Pedestal Solution

### Components

- Mounting bracket, keyboard arm and universal mount

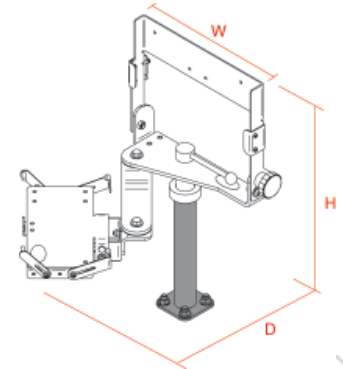
### Order Separately

- The PDRC Pedestal Mounting Solution inserts into a 9" Lower Tube (Item No. DS-LOWER-9) or any Vehicle Base with a welded pole

Weight	Height	Width	Depth
12.4 lbs	15.25" (entire mounting system will determine overall height, PDRC Screen increases height by 3.75")	12.0"	13.0" to 19.0"

### Features

- Compatible with both 10.4" and 12.1" ToughScreens
- Display can tilt up to 120° forward from the dashboard and can be swiveled 15° toward the driver or passenger
- Keyboard arm can extend the keyboard 8" toward the driver or passenger and can be swiveled up to 180°
- Keyboard mount allows for fast removal and insertion of the keyboard
- Display and keyboard can be offset toward the passenger side creating more room for the driver
- 3 year limited warranty (printed circuit board, docking connector and all sheet metal)
- Heavy gauge steel construction for long-term durability
- Black powdercoat finish for maximum corrosion resistance



Item No. **NP-PDRC-PED4**



3001 Borham Ave  
Stevens Point, WI 54481  
Phone: 800-456-6868  
Fax: 715-344-8845

Email: [gamberj@gamberjohnson.com](mailto:gamberj@gamberjohnson.com)  
Website: [www.gamberjohnson.com](http://www.gamberjohnson.com)