

RUGGED.

DOCKING STATIONS AND VEHICLE MOUNTS



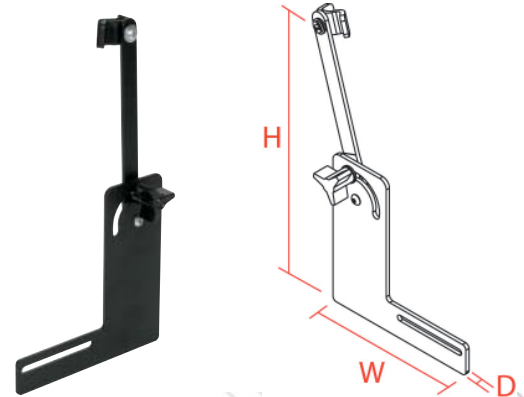
NotePad Accessory - Screen Support

Placement	Weight	Height	Width	Depth
Attaches using pre-drilled slots on any <i>Universal Computer Mount</i> (Item No. NP-NOTEPAD4 or NP-NOTEPAD-XL)	0.50 lbs	9.0"	5.0"	0.25"

Features

- Provides screen support - ideal for rugged driving conditions
- Attaches to left or right side of computer mount
- Screen support can be positioned up to 45° backward or 100° forward

Item No. **NP-SCREEN**



 **GAMBER
JOHNSON**[®]
Very Well Connected[™]

3001 Borham Ave
Stevens Point, WI 54481
Phone: 800-456-6868
Fax: 715-344-8845

Email: gamberj@gamberjohnson.com
Website: www.gamberjohnson.com