

# RUGGED.

DOCKING STATIONS AND VEHICLE MOUNTS

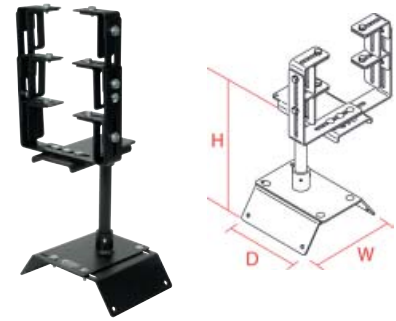


## StackMaster Vertical Mount

Placement	Number of Radios	Weight	Height	Width	Depth
Over transmission hump or on any flat surface	3	9.1 lbs	10.25"	9.5"	8.0"

### Features

- Heavy gauge steel construction for long-term durability
- Black powdercoat finish for maximum corrosion resistance
- Base can be adjusted to size and shape of transmission hump or mounted to a flat surface
- Drilling is required
- Radio Racks can be tilted individually
- StackMaster can be shifted side-to-side or rotated
- Accommodates radio widths 4.0" - 9.50"
- Accommodates radio heights 1.30" - 4.80"



Item No. **SM-203**



3001 Borham Ave  
Stevens Point, WI 54481  
Phone: 800-456-6868  
Fax: 715-344-8845

Email: [gamberj@gamberjohnson.com](mailto:gamberj@gamberjohnson.com)  
Website: [www.gamberjohnson.com](http://www.gamberjohnson.com)