

RUGGED.

DOCKING STATIONS AND VEHICLE MOUNTS

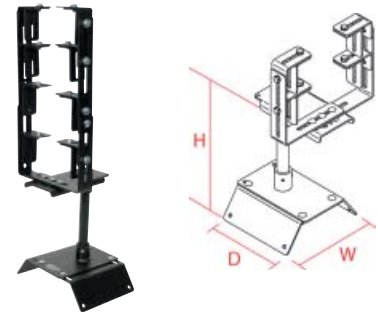


StackMaster Vertical Mount

| Placement | Number of Radios | Weight | Height | Width | Depth |
|---|------------------|----------|--------|-------|-------|
| Over transmission hump or on any flat surface | 4 | 10.0 lbs | 10.25" | 9.5" | 8.0" |

Features

- Heavy gauge steel construction for long-term durability
- Black powdercoat finish for maximum corrosion resistance
- Base can be adjusted to size and shape of transmission hump or mounted to a flat surface
- Drilling is required
- Radio Racks can be tilted individually
- StackMaster can be shifted side-to-side or rotated
- Accommodates radio widths 4.0" - 9.50"
- Accommodates radio heights 1.30" - 4.80"



Item No. **SM-204**



3001 Borham Ave
Stevens Point, WI 54481
Phone: 800-456-6868
Fax: 715-344-8845

Email: gamberj@gamberjohnson.com
Website: www.gamberjohnson.com