

Intellian® FB150

Compact Marine FleetBroadband Antenna System

Intellian® FB150 is a competitive single-user solution designed to provide global, high quality data & voice for business, operational or recreational applications in a compact size and light weight Above Deck Unit with optional matching dome solution and simple user-installation. The innovative true IP solution can provide number of benefits including:

- Inmarsat's global broadband I4 satellite coverage
- Simultaneous Voice and data service
- Compact and reliable hardware powered by Thrane & Thrane
- IP connection for e-mail and internet / intranet access
- LAN interface and router features
- IP Handset interface
- Various matching dome solutions to Intellian i-Series (Marine Satellite TV Antenna System)
- Competitive & customized Intellian Inmarsat airtime*

For more information, visit www.intelliantech.com



Compact Global Maritime Terminal

With 8.6 lbs weight and 11.5 inch height, Intellian FB150 is a compact FleetBroadband maritime terminal.

Data & Voice Simultaneous Access

With 150kbps data rates, FB150 provides simultaneous access to data services, voice and text messaging.

Reliable Hardware

Powered by Thrane & Thrane FleetBroadband 150 solution, which has unrivalled experience in satellite communications, you can be confident of both the quality of the equipment and the support behind it.

Global Service Network

As a global solution, not only can you access anyone of Intellian's global distributors for service, but the Intellian FB150 also benefits from Thrane & Thrane's highly regarded network of Onboard Service Centres (OSC) over 40 locations around the world.

IP Handset

The rugged new plug-and-play IP Handset provides an intuitive user interface on a 2.2" TFT color screen and cutting-edge technology, such as an echo cancellation and noise suppression software ensuring excellent audio clarity.

Various Matching Dome Solution

Various matching size domes are available for Intellian FB150 together with Intellian i-Series (i2, i3, i4), satellite TV antenna systems. Now you can select a perfectly matched dome for the best appearance of your vessel.

Practical & Affordable Intellian Airtime

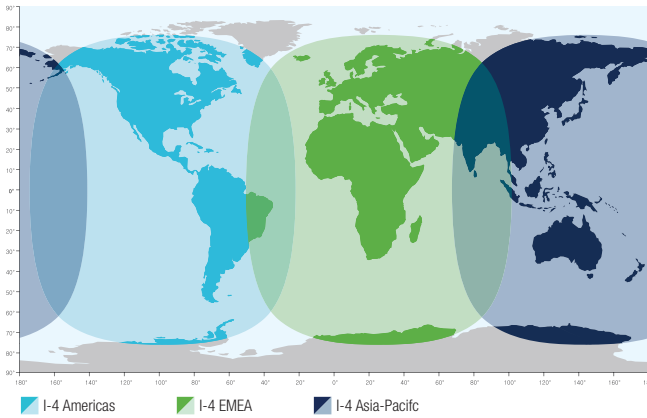
Intellian airtime package price starts as low as \$56 per month. Hardware and airtime bundle package is available with additional discounts.

* Intellian airtime package details at,

www.intelliantech.com/airtime

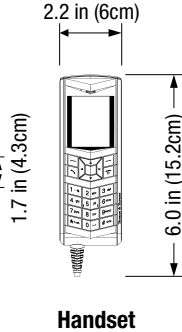
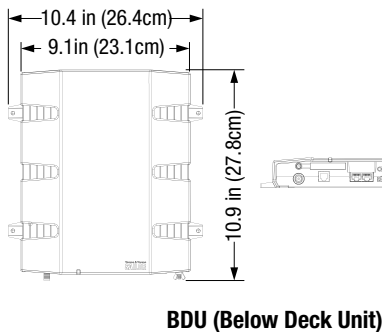
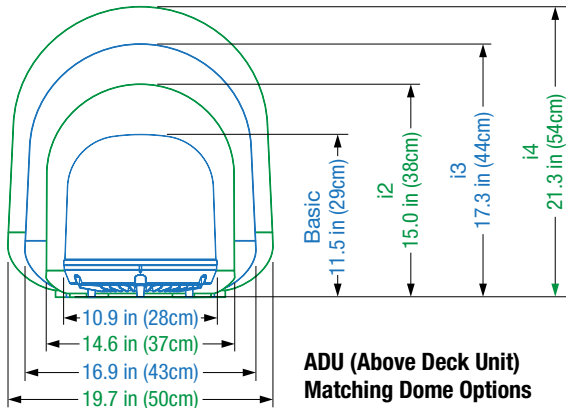
Intellian® FB150

Inmarsat FleetBroadband Global Coverage



This map depicts Inmarsat's expectations of coverage, but does not represent a guarantee of service. The availability of service at the edge of coverage areas fluctuates depending on various conditions.

System Dimensions



Technical Specifications

Product Model	Specification		
Intellian FB150	Inmarsat FleetBroadband 150 Marine Satellite Communication Antenna System		
Dimension and Weight			
ADU	11.5 x ø10.9 in (29.2 x ø27.6 cm) / 8.6 lbs (3.9 kg)		
BDU	10.9 x 9.1 x 1.6 in (27.8 x 23.1 x 4.1 cm) / 4.4 lbs (2.0 kg)		
Matching Options			
	i2 matching	i3 matching	i4 matching
Radome Height	15.0 in (38 cm)	17.3 in (44 cm)	21.3 in (54 cm)
Radome Diameter	14.6 in (37 cm)	16.9 in (43 cm)	19.7 in (50 cm)
Environmental Conditions			
Operating Temperature	-13°F to +131°F (-25°C to +55°C)		
Operating Humidity	[ADU] EN60945, [BDU] 95% non-condensing at +40°C		
Water Ingress	IPX6		
Approvals	Inmarsat FleetBroadband/ RTTE/ CE/ FCC		
Warranty	2 Years Parts and 1 Year Labor		
Global Services			
Voice	Digital 4 kbps Voice		
Standard IP	Up to 150 kbps		
SMS	Up to 160 characters		
Airtime Service	Inmarsat airtime by Intellian		
	For detailed pricing visit intelliantech.com/airtime		
Frequency Band			
Rx	1525.0 MHz – 1559.0 MHz		
Tx	1626.5 MHz – 1660.5 MHz		
Ch. Width	[Rx] 10.5 - 189 kHz, [Tx] 21 - 189 kHz		
Power Supply and Consumption			
DC Input Range	10 - 32V DC (isolated)		
Power (max)	120W @ 10 - 32V (including antenna)		

System Diagram



ISO 9001 Certified
For more info, visit intelliantech.com

Americas
Intellian Technologies USA, Inc.
9004 Research Drive
Irvine, CA 92618, USA
Tel +1-949-727-4498
Toll Free +1-888-201-9223
Fax +1-949-271-4183
Email info@intelliantech.com

Europe
Intellian B.V.
Bristolstraat 1, 3047AB
Rotterdam, Netherlands
Tel +31-1-0820-8655
Fax +31-1-0820-8656
Email info@intelliantech.com

MEA & APAC
Intellian Technologies, Inc.
2F Donggik Bldg., 98, Nonhyun-dong,
Kangnam-gu, Seoul 135-010, Korea
Tel +82-2-511-2244
Fax +82-2-511-2235
Email info@intelliantech.com