

Intellian® MIM

Compatible with DISH NETWORK DP34



Intellian® MIM Innovative automatic satellite switching function provides DISH Network subscribers to access their favorite high-definition and standard programming by pressing just a receiver remote's buttons.

- *Enables reception of all DISH Network's satellites*
- *Automatic Satellites Switching*
- *Outstanding Compatibility*
- *Easy & Simple Connection and Installation*
- *Master Receiver Selection*
- *FCC/CE Approved. Lab & Field Tested*

For more information, visit www.intelliantech.com



Enables reception of all DISH Network's satellites

Enables reception from multiple EchoStar satellites for complete channel guide downloads.

Automatic satellites switching

Switching satellites automatically is possible by using a user's receiver's remote controller.

Outstanding compatibility

Intellian MIM is compatible with all Intellian i-series antenna systems.

Easy & simple connection and installation

Connects up to 4 receivers directly, or it can be connected to additional MIMs for unlimited extension.

Master receiver selection

Provides users to select which receiver connected to the MIM will be to "Master" receiver. An interruption-free for secondary viewers.

FCC/CE approved. Lab & field tested

Proven simplicity and reliability design isn committed to meet and exceed the highest industry standards.

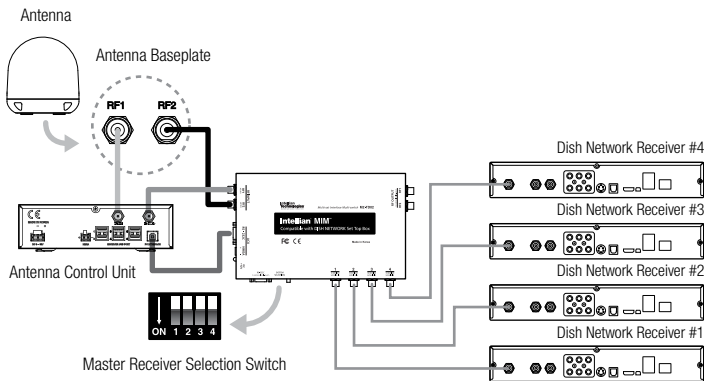
Intellian® MIM

Compatible with DISH NETWORK DP34

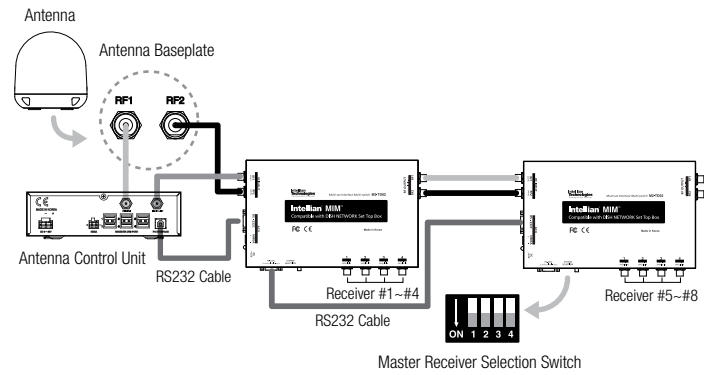
Intellian® MIM

The Intellian Multi-satellite Interface Multi-switch (MIM) utilizes leading-edge technology to emulate the DISH Network DP-34 multi-switch, in a rugged case designed for the marine environment. The user-friendly design of the MIM offers satellite subscribers to access their favorite standard definition and high-definition (HD) programming and switches automatically between DISH Networks' Western Arc of 110°W, 119°W, and 129°W satellites, the DISH Network Eastern Arc of 61.5°W, 72.7°W, and 77°W, or the Bell TV satellites at 82°W and 91°W. By communicating with the receiver and verifying reception, the "Check Switch" function of the receiver is completed successfully, resulting in a download of the complete program guide. By simply selecting a channel from the guide on the master receiver, the antenna will automatically focus on the proper satellite. The master receiver can be easily selected on the MIM, and changed at any time by merely pressing a button.

System Diagram



Multi-Receiver (up to 4) Configuration

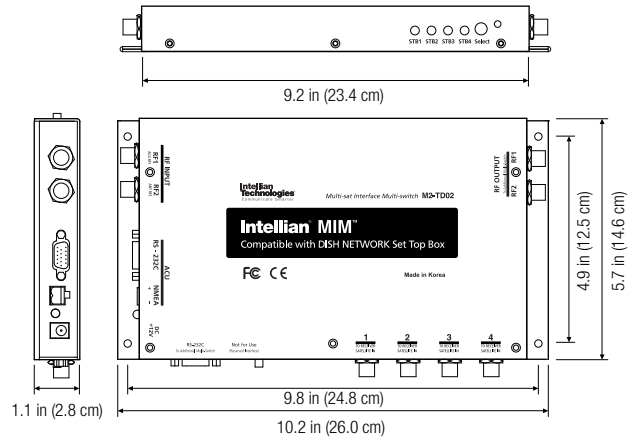


Multi - MIMs & Multi - Receiver (up to 8) Configuration

Technical Specifications

Part #	Specifications
M2-TD02	Multi-satellite Interface Multi-switch
Physical	
Dimensions(WxDxH)	10.2 in (26 cm) X 5.7 in (14.6 cm) X 1.1 in (2.8 cm)
Weight	1.4 lbs (0.64 kg)
Environmental	
Operating Temp. Range	5°F ~ 130°F (-15°C ~ 55°C)
Storage Temp. Range	-13°F ~ 158°F (-25°C ~ 70°C)
Approvals	CE / FCC
Warranty	2 Years
Interface	
RF Port	2 x 4 Multi S/W and Expansion 2RF Ports
PC Interface	RS232 - DB9
ACU Interface	RS232 - DB9 for i3, i4 and i6, 2pin terminal Block for i2
Control Key	One Integrated Push Button
Display	4 LEDs
Power Input	12 VDC (Max 10W)
	Adapter : Input 100-240 VAC 50/60Hz, Output : 12VDC 3.33A

Dimensions



ISO 9001 Certified
For more info, visit intelliantech.com

Americas
Intellian Technologies USA, Inc.
9004 Research Drive
Irvine, CA 92618, USA
Tel +1-949-727-4498
Toll Free +1-888-201-9223
Fax +1-949-271-4183
Email info@intelliantech.com

Europe
Intellian B.V.
Bristolstraat 1, 3047AB
Rotterdam, Netherlands
Tel +31-1-0820-8655
Fax +31-1-0820-8656
Email info@intelliantech.com

MEA & APAC
Intellian Technologies, Inc.
2F Dongik Bldg., 98, Nonhyun-dong,
Kangnam-gu, Seoul 135-010, Korea
Tel +82-2-511-2244
Fax +82-2-511-2235
Email info@intelliantech.com