

Intellian® i3

**Compact but Powerful
Marine Satellite TV Antenna System**



Intellian® i3 The compact and stylish Intellian i3 ideally brings a perfect fit for boats as small as 25 feet. With its embedded HD modules, the i3 brings the boaters excitement and variety of satellite HDTV programs simultaneously whether the vessels are traveling around the coast or heading offshore.

- *Optimized Design with 15" Dish Diameter*
- *Compact but Powerful with Affordable Value*
- *User-friendly & Easy to Install*
- *Seamless Viewing (Automatic Satellite Switch) of All DISH Network and Bell TV Channels.
Available with DISH MIM (Multi-satellite Interface Multi-switch)*

For more information, visit www.intelliantech.com



Compact Size with Powerful Performance

15 inch dish diameter with nationwide coverage for North & South America, Europe and the regional service around the globe.

Faster Signal Acquisition

Intellian's exclusive Wide Range Search (WRS) algorithm allows the antenna to search, find and lock on to a signal with incredible speed and accuracy.

A Firm Hold on the Signal

Intellian's exclusive Dynamic Beam Tilting (DBT) uses a high performance, constantly adjusting sub-reflector which allows the antenna to remain the strongest signal at all times while the vessel is cruising at high speed.

Simple & Easy Installation

With a single cable to connect the antenna and the ACU, Intellian i3 systems are quick and easy to install. Our advanced ACU is designed to require minimum setup so you can begin to enjoy TV programs aboard your boat in no time.

Tune in Your Favorite HDTV Channels

Intellian's i3 provides HD channels from the Ku-band. The HD module is actually built-in to the Antenna Control Unit of the Intellian i3 for seamless integration and easy installation.

Built-in GPS

The Intellian i3 includes a built-in GPS for easier operation and faster signal acquisition. It allows the i3 to have higher accuracy and easy operation wherever the vessel sails.

User-friendly Operation

Antenna Control Unit (ACU), which is supplied as a default package, gives you the user-friendly operation for various function.

Intellian®

Intellian® i3

Compact but Powerful Marine Satellite TV Antenna System

Key Features

Fully Automated System

Automatic satellite search and identification
2-axis step motors to stabilize the pedestal

Enhanced Antenna

Highly efficient parabolic antenna enables 50dBW of minimum EIRP.
RHCP / LHCP, Vertical / Horizontal polarization

Compact Size

15 inch antenna dish diameter
Light antenna weighs less than 20 pounds

Wide Range Search (WRS) Algorithm

Competitor methods search for the narrow-bandwidth of the main lobe.
However Intellian's exclusive WRS searches for the wide range of side lobes and jumps up to the main lobe, providing faster satellite acquisition.

Dynamic Beam Tilting (DBT) Technology

A high-speed sub-reflector rotates off axis, checking signal strength at 50 times per second and compensating the tracking direction. Less movement of the main-reflector means less noise and extends the product life.

Fully Automated Digital Video Broadcasting (DVB) Identification

DVB Decoder with CPLD enables high speed identification.

New Type Antenna Control Unit

Easy to change and update satellite information
Easy antenna status check and automatic diagnosis
Easy antenna control using PC interface

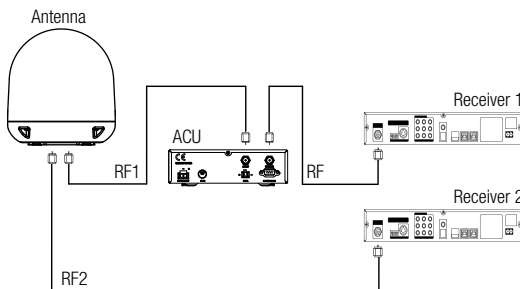
Built-in GPS and NMEA 0183 Interface Port

The i3 includes a built-in GPS inside of the Antenna Unit for faster signal acquisition.
The ship's GPS can also be connected through the NMEA 0183 port on the rear panel of the ACU.

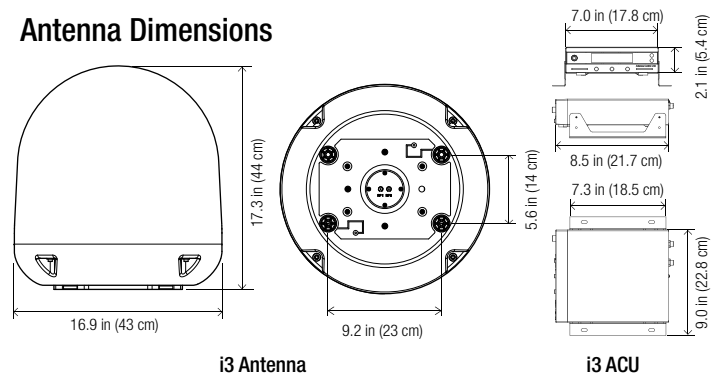
Technical Specifications

Part #	Specifications
B2-303S	Intellian i3 Satellite TV Antenna System (US)
B2-301U	Intellian i3 Satellite TV Antenna System (Europe)
Physical	
Radome Height	17.3 in (44 cm)
Radome Diameter	16.9 in (43 cm)
Antenna Dish Diameter	14.6 in (37 cm)
Weight	19.8 lbs (9 kg)
Environmental	
Operating Temp. Range	5°F ~ 131°F (-15°C ~ 55°C)
Storage Temp. Range	-13°F ~ 158°F (-25°C ~ 70°C)
Water Ingress	IPX6
Approvals	CE / FCC
Warranty	3 Years Parts and 1 Year Labor
Performance	
Reception Frequency	Ku-band (10.7~ 12.75 GHz)
Polarization	RHCP / LHCP, Vertical / Horizontal
Minimum EIRP	50 dBW
Azimuth Range	680°
Elevation Range	+10° to +80°
Ship's Motion	Roll ±25°, Pitch ±15°
Roll & Pitch Response Rate	60° / Second
Turn Rate	60° / Second
RF Output	Dual Output
Antenna Control Unit	
Dimensions (WxDxH)	7.0 in x 8.5 in x 2.1 in (17.8 cm x 21.7 cm x 5.4 cm)
Weight	2.6 lbs (1.2 kg)
Display	2 Line 20 Character VFD Module
Control Key	5 Integrated Push Buttons
Power Input	9 ~ 30 VDC (Typ. 30W, Max. 50W)
GPS Interface	NMEA0183

System Diagram



Antenna Dimensions



Americas
Intellian Technologies USA, Inc.
 9004 Research Drive
 Irvine, CA 92618, USA
 Tel +1-949-727-4498
 Toll Free +1-888-201-9223
 Fax +1-949-271-4183
 Email info@intelliantech.com

Europe
Intellian B.V.
 Bristolstraat 1, 3047AB
 Rotterdam, Netherlands
 Tel +31-1-0820-8655
 Fax +31-1-0820-8656
 Email info@intelliantech.com

MEA & APAC
Intellian Technologies, Inc.
 2F Dongik Bldg., 98, Nonhyun-dong,
 Kangnam-gu, Seoul 135-010, Korea
 Tel +82-2-511-2244
 Fax +82-2-511-2235
 Email info@intelliantech.com

ISO 9001 Certified
 For more info, visit intelliantech.com