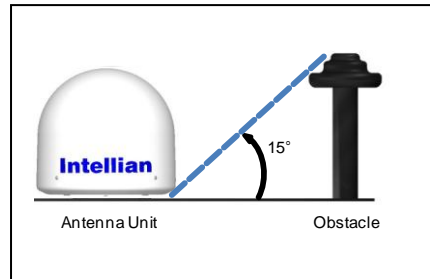


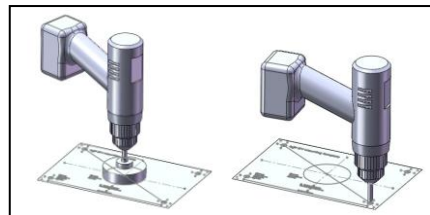
Intellian i2 Quick Installation Guide

1. Select a location for the antenna



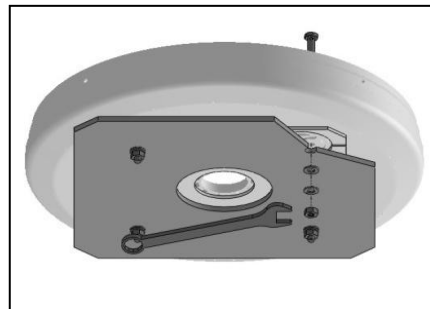
- Make sure nearby objects do not block the antenna.
- Avoid unnecessary motion by locating the antenna as near as to the centerline of the boat.

2. Prepare the mount



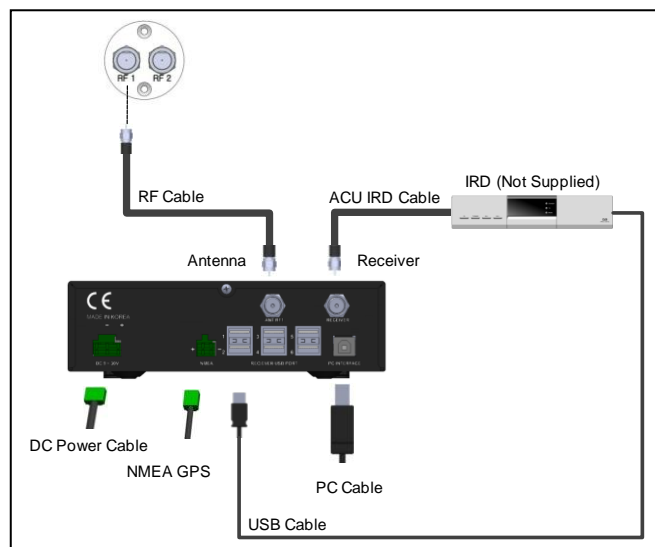
- Attach the installation template to the mounting surface using adhesive tape.
- Remove the shaded center portion by using a hole saw.
- Drill 4 bolt holes.

3. Secure the antenna



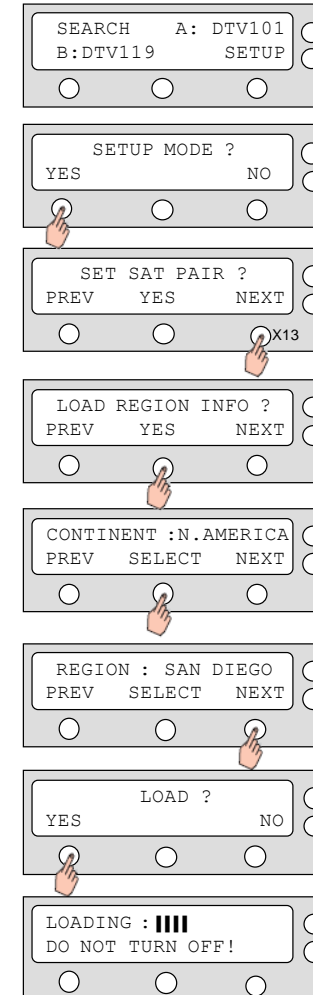
- Remove the shipping restrains and secure the antenna to the mount base using bolts, spring washers, and flat washers.
- WARNING**
Be sure to put the radome on while operating the system. The system functions will be abnormal if the radome is off.

4. Connect the system cables



- Connect the RF Cable from the RF 1 connector on the antenna to the ANT. RF1 connector on the rear of ACU.
- Connect the ACU IRD Cable from the RECEIVER connector on the rear of the ACU to RF on the IRD.
- Connect the USB cable from the RECEIVER USB PORT 1 on the rear of the ACU to the USB connector on the IRD.
- Connect the power cable from the DC power connector on the rear of ACU to a power source of DC (9-30V).

5. Set Region (Nation/City) from ACU



- Turn on the ACU power and you will see USA DTV101 and DTV 119 as the default. *(The default CONTINENT is N. AMERICA and REGION is MIAMI.)*



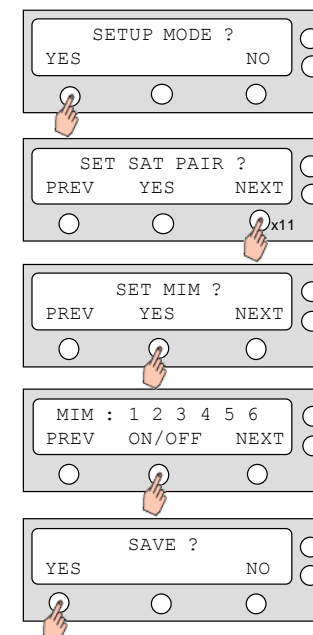
WARNING
The system functions will be abnormal if you do not set a correct continent and region.

- Please select your region (Nation/City) after selecting the continent. Once the SET REGION has been done, you will not need to adjust GPS and the target tracking satellites. The setting steps as below.

- ◆ Enter SETUP MODE and Press NEXT 13 times to enter LOAD REGION INFO menu.
- ◆ Select CONTINENT and Press NEXT to select alternative continents.
- ◆ Select REGION and Press NEXT to select

- Each IRD connected to ACU can be a Master which can change the target satellite freely by selecting a channel.
- Follow the below steps to enable the Mater Control Function for IRD.

6. Set MIM



- ◆ Enter SETUP MODE and Press NEXT 11 times to enter SET MIM menu.
- ◆ Select YES to SET MIM.
- ◆ Set MIM: 1 ON. *If you have multi-IRDs connected to the ACU, be sure to activate the MIM for the master function. Example: (1-3-5 -) means the master function is ON for IRD no. 1, 3, and 5 and is OFF for IRD no. 2, 4, and 6 at same time.*
- ◆ Press YES to save the setting.