

KODEN

10.4-inch Color LCD
Plotter Sounder

CVG-200



MAX
C-MAP NT

All echo sounder and chart plotter functions in one display!

FEATURES

Echo sounder with chart facility

The CVG-200 combines all echo sounder and chart plotter functions in one display providing a compact solution for vessels where space is limited.

Echo sounder functions

The CVG-200 utilizes Koden's many years of experience in manufacturing commercial echo sounders. It features a dual frequency 50/200 kHz with power outputs of either 600 W or 1 kW.

Plotter functions

A built-in C-Map NT MAX worldwide base map (2 MB) is included as standard.

Special features of the CVG-200:

Parallel line drawing function

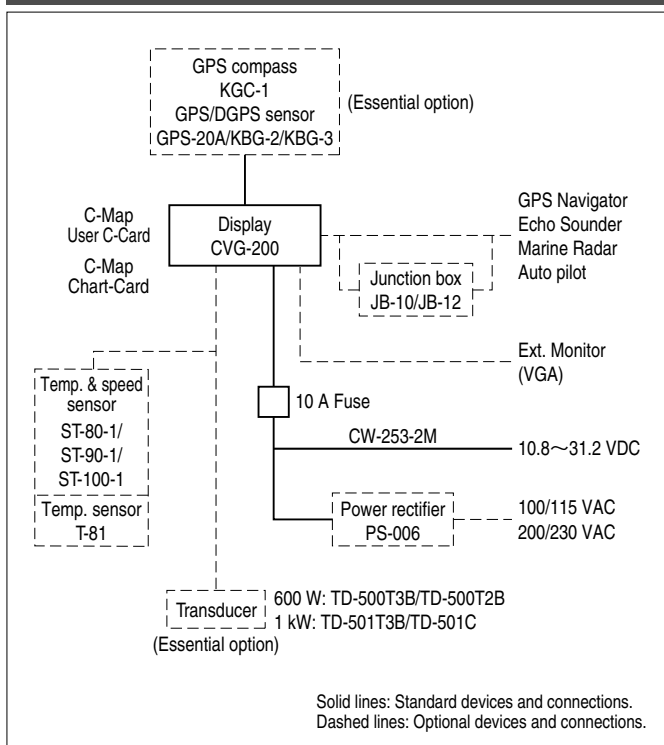
Track color variation on water temperature

Track color variation on water depth

EQUIPMENT LIST

Standard equipments	Display unit with hard cover, Hood, Mounting bracket and Fixing knobs	1 set
	DC power cable, Installation material, Spare parts, Accessories and Operation manual	1 set
Essential options	GPS sensor, DGPS sensor or GPS compass, Transducer	
Options	Temp. & speed sensor, Connection cable for external device, Inner hull kit, Junction box, Power rectifier, AC power cable, Receiving antenna support fitting, Connector for other models	

CONNECTIONS



SPECIFICATIONS

General

Display	10.4 inch color TFT LCD (480 x 640 pixels)
Display modes	Plotter, Sounder (Single/Dual presentation), Plotter + Sounder (Vertical/Horizontal split presentation), Compass, and Highway
Power supply	10.8 to 31.2 VDC
Power consumption	45 W or less (at 24 VDC)
Water protection	IPX5

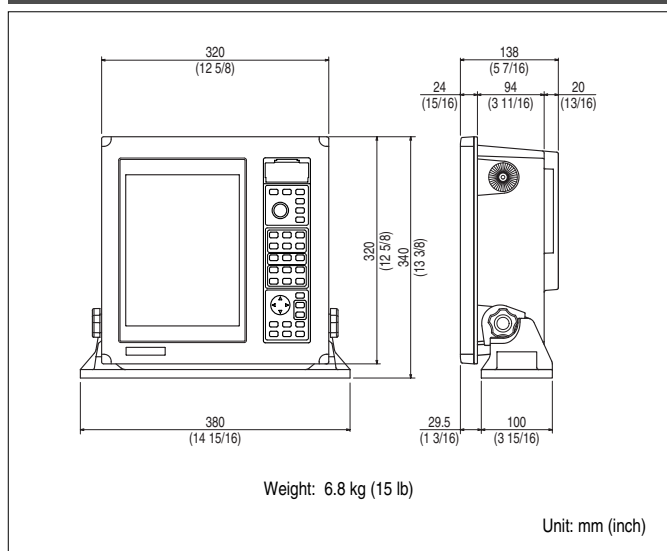
Sounder Function

Output power	600 W or 1 kW
Presentation color	16 colors (Color palette can be changed) / Background: 9 colors
Frequency	Dual 50/200 kHz
Depth ranges	5 to 1200 (Meter / Fathom / Italian Fathom) 10 to 4000 (Feet)
Image shift	Auto or Manual 0 to 3000 (Meter / Fathom / Italian Fathom) 0 to 8000 (Feet)
Presentation modes	N: Normal (incl. Shift) Z: Zoom (Bottom lock, Bottom discrimination and Zoom) B.Z: Bottom zoom
Audible alarms	Fish alarm and Depth alarm
Image speed	Fixed 11 speed (4/1, 3/1, 2/1, 1/1, 1/2, 1/3, 1/4, 1/6, 1/8, 1/12, 1/16) and stop
Auto functions	Depth range, Shift, and Gain

Plotter Function

Presentation modes	Head up, North up, Course up, Own ship center fixed mode, 3 fix scale, and Other ship plot mode with ATA
Effective projection area	0.01 to 3600 nm (near the equator)
Plot interval	1 to 600 sec. or 0.01 to 10 nm
Map projection	Mercator
Usable area	80 degree latitude or below
Memory & storage capability	Track: 2000, 4000, 7000 x 7 blocks Mark (waypoint): 8300 points Route: 50 routes with 50 points Graphics: 500 points x 7 blocks Other ship's track: 1000 points x 10 targets
Audible alarms	Arrival, POB, and Cross track error
Chart	C-Map NT / NT+ / NT MAX

DIMENSIONS AND WEIGHT



• Design and specifications are subject to change without notice.

KODEN Koden Electronics Co., Ltd.

Tamagawa Office:
2-13-24 Tamagawa, Ota-ku, Tokyo, 146-0095 Japan
Tel: +81-3-3756-6501 Fax: +81-3-3756-6509

Uenohara Office:
5278 Uenohara, Uenohara-shi, Yamanashi, 409-0112 Japan
Tel: +81-554-20-5860 Fax: +81-554-20-5875

overseas@koden-electronics.co.jp

www.koden-electronics.co.jp



Safety precaution

To ensure proper and safe use of the equipment, please carefully read and follow the instructions in the Operation Manual.

For details, please contact: