

# KODEN

8-inch Color LCD  
Echo Sounder

## CVS-833

*Innovative Brilliance*



*Professional Dual-Frequency Sounder  
features brilliant daylight viewable display*

## FEATURES

### Clear and high-resolution display

Display has a clear 8-inch TFT LCD. Although the body is compact, a big screen image is shown. A large image with resolution of 480 x 640 pixels (VGA) and color distinction make it easy to see the undersea conditions clearly.

### Easy operation

Staying with ease of use, by using the switch and the direct key together, it is possible to set the best conditions for your needs with just one action. Also, use the full auto mode by just pushing the auto key. Gain and depth range will then be set to optimum conditions.

### Many presentation modes

There are a number of presentation modes such as normal, normal + bottom lock, normal + bottom discrimination, bottom zoom, normal + partial zoom, dual frequency mix mode and more. Additionally, the screen can be divided vertically or horizontally making it possible to choose the best suitable screen mode depending upon your needs.

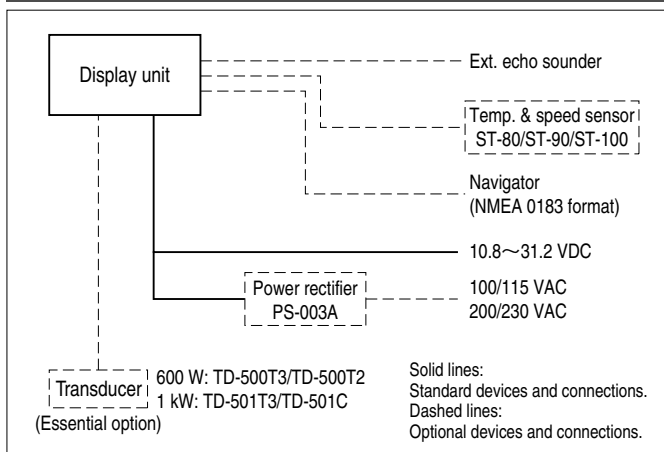
### Easy installation & easy flush mount

Because of its thin form, it is easy to install either hanging or flush mount. With built-in flush mounting system, it is possible to screw in through the corners of the front display, therefore any other installation devices such as a mounting kit are not required.

## EQUIPMENT LIST

Standard equipments	Display unit with hard cover, Hood, Mounting bracket and Fixing knobs	1 set
	DC power cable, Installation material, Spare parts, Accessories and Operation manual	1 set
Essential option	Transducer	
Options	Temp. & speed sensor, Connection cables for external devices, Inner hull kit, Junction box and Power rectifier	

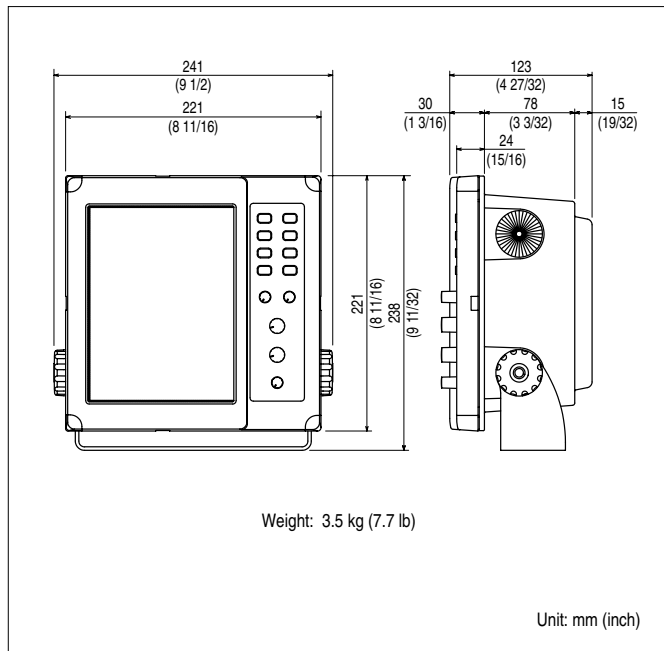
## CONNECTIONS



## SPECIFICATIONS

Type	CVS-833	CVS-833C
Output power	600 W	1 kW
Display	8 inch color TFT LCD (480 x 640 pixels)	
Presentation color	16 colors or 8 colors	
Frequency	Dual 50/200 kHz	
Depth ranges	5 to 600 (Meter / Fathom / Italian Fathom) 10 to 2000 (Feet)	5 to 1200 (Meter / Fathom / Italian Fathom) 10 to 4000 (Feet)
Zoom ranges	2.5, 5, 10, 20, 40, 80 (Meter / Fathom / Italian Fathom); 1 range selectable 10, 20, 40, 80, 160, 320 (Feet); 1 range selectable	
Image shift	Auto or Manual 0 to 600 (Meter / Fathom / Italian Fathom) 0 to 2000 (Feet)	Auto or Manual 0 to 1200 (Meter / Fathom / Italian Fathom) 0 to 4000 (Feet)
Presentation modes	High frequency, Low frequency, Zoom image (Bottom lock, Bottom discrimination, Bottom zoom, Zoom, Sea bottom partial zoom) A-scope display can be added to all above modes Changeable to horizontally/vertically, up and down or left and right divided	
Auto functions	Depth range, Shift and Gain	
Input and output data format	NMEA 0183	
Other functions	Bottom / Fish alarm, Temperature alarm, Image speed, Interference rejection, Noise rejection, Color rejection, Transmission output, Panel illumination, Draft adjustment, Temperature correct, Boat speed correct, PRR, External echo sounder connection, White line, Background selection	
Power supply	10.8 to 31.2 VDC	
Power consumption	25 W or less (at 24 VDC)	30 W or less (at 24 VDC)
Water protection	IPX2	

## DIMENSIONS AND WEIGHT



• Design and specifications are subject to change without notice.

**KODEN** Kodon Electronics Co., Ltd.

Tamagawa Office:  
 2-13-24 Tamagawa, Ota-ku, Tokyo, 146-0095 Japan  
 Tel: +81-3-3756-6501 Fax: +81-3-3756-6509  
 Uenohara Office:  
 5278 Uenohara, Uenohara-shi, Yamanashi, 409-0112 Japan  
 Tel: +81-554-20-5860 Fax: +81-554-20-5875

overseas@koden-electronics.co.jp

www.koden-electronics.co.jp



**Safety precaution**

To ensure proper and safe use of the equipment, please carefully read and follow the instructions in the Operation Manual.

For details, please contact: