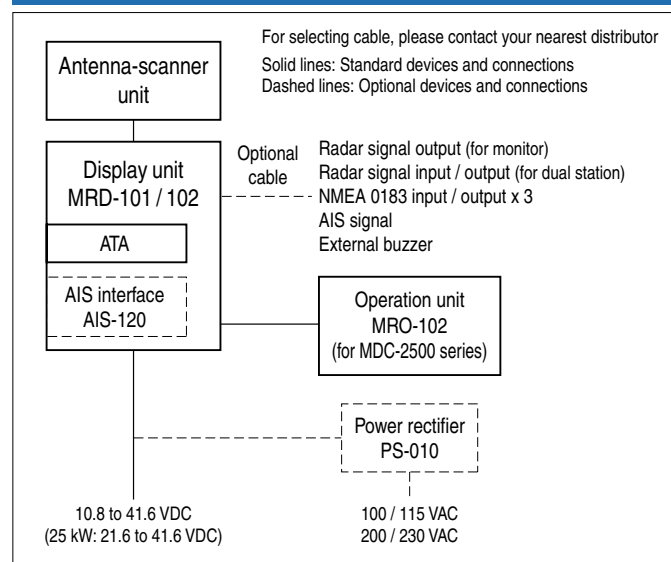


### SPECIFICATIONS

Antenna-Scanner unit									
Model	MDC-2240 / 2540	MDC-2260 / 2560	MDC-2210 / 2510	MDC-2220 / 2520					
Antenna length	3 feet	4 feet	4 feet	6 feet	4 feet	6 feet	6 feet	9 feet	
Beam width	Horizontal	2.5°	1.8°	1.8°	1.2°	1.8°	1.2°	1.2°	0.8°
	Vertical	22°	22°	22°	22°	22°	22°	22°	25°
Rotation	24 rpm or 48 rpm								
Power output (peak)	4 kW		6 kW		12 kW		25 kW		
Display unit									
Model	MDC-2240 / 2260 / 2210 / 2220				MDC-2540 / 2560 / 2510 / 2520				
Display size/type	12.1" color TFT LCD				15" color TFT LCD				
Effective diameter	184 mm				228 mm				
Display resolution	1024 x 768 pixels								
Off-centering	Max. 66%								
Echo area	2 types (Full screen, Inside of effective diameter)								
Range data accuracy	8 meters or 1% of the range scale selected, whichever is the greater								
Range scale	0.125, 0.25, 0.5, 0.75, 1, 1.5, 2, 3, 4, 6, 8, 12, 16, 24, 32, 36, 48, 72, 96 nm 4 kW: up to 48 nm, 6 kW / 12 kW: up to 72 nm, 25 kW: up to 96 nm								
Presentation modes	Head-up, North-up*, Course-up*, True motion*								
Functions	Interference rejection, Target expansion, Zoom, 2 VRMs, 2 EBLs (0.1° step), Floating EBL / VRM, Cursor position, Parallel cursor, Bearing, Day / Night mode, Alarms, Trail*, Past course*, Mark*, Route*, Dual station, RGB Monitor output, Slave display monitor output, Nav line, Ship's profile, External buzzer								
Input data format and sentences	NMEA 0183 (BWC, DBT, DPT, DTM, GGA, GLC, GLL, GNS, HDG, HDM, HDT, MTW, RMA, RMB, RMC, RTE, VBW, VDR, VHW, VTG, WPL, ZDA)								
Output data format and sentences	NMEA 0183 (HDT, VHW, VTG, GLL, VDR, RSD, OSD, TTM, TLL)								
NMEA input / output port(s)	3								
AIS interface	200 Targets* (Option)								
ATA	50 Targets*								
Map overlay	C-Map NT+ / NT MAX (Owner supplied)								
Power supply	10.8 to 41.6 VDC (25 kW: 21.6 to 41.6 VDC)								
Power consumption (at 24 VDC)	MDC-2240	MDC-2260	MDC-2210	MDC-2220					
	80 W or less	110 W or less	130 W or less	170 W or less					
	MDC-2540	MDC-2560	MDC-2510	MDC-2520					
	100 W or less	130 W or less	150 W or less	200 W or less					
Environmental									
Water protection	IPX5								
Operating temperature	-15°C to +55°C								

\* Requires heading, speed, and / or position signal input from external equipment including GPS Compass depending on application of user.

### CONNECTIONS

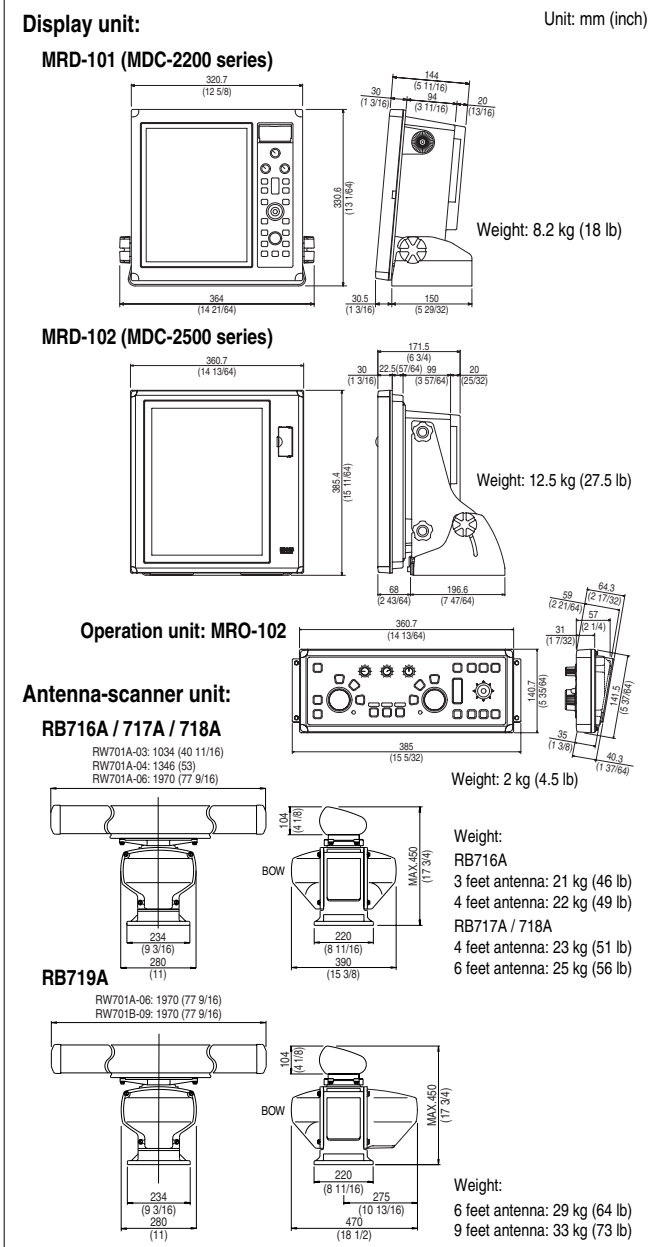


### EQUIPMENT LIST

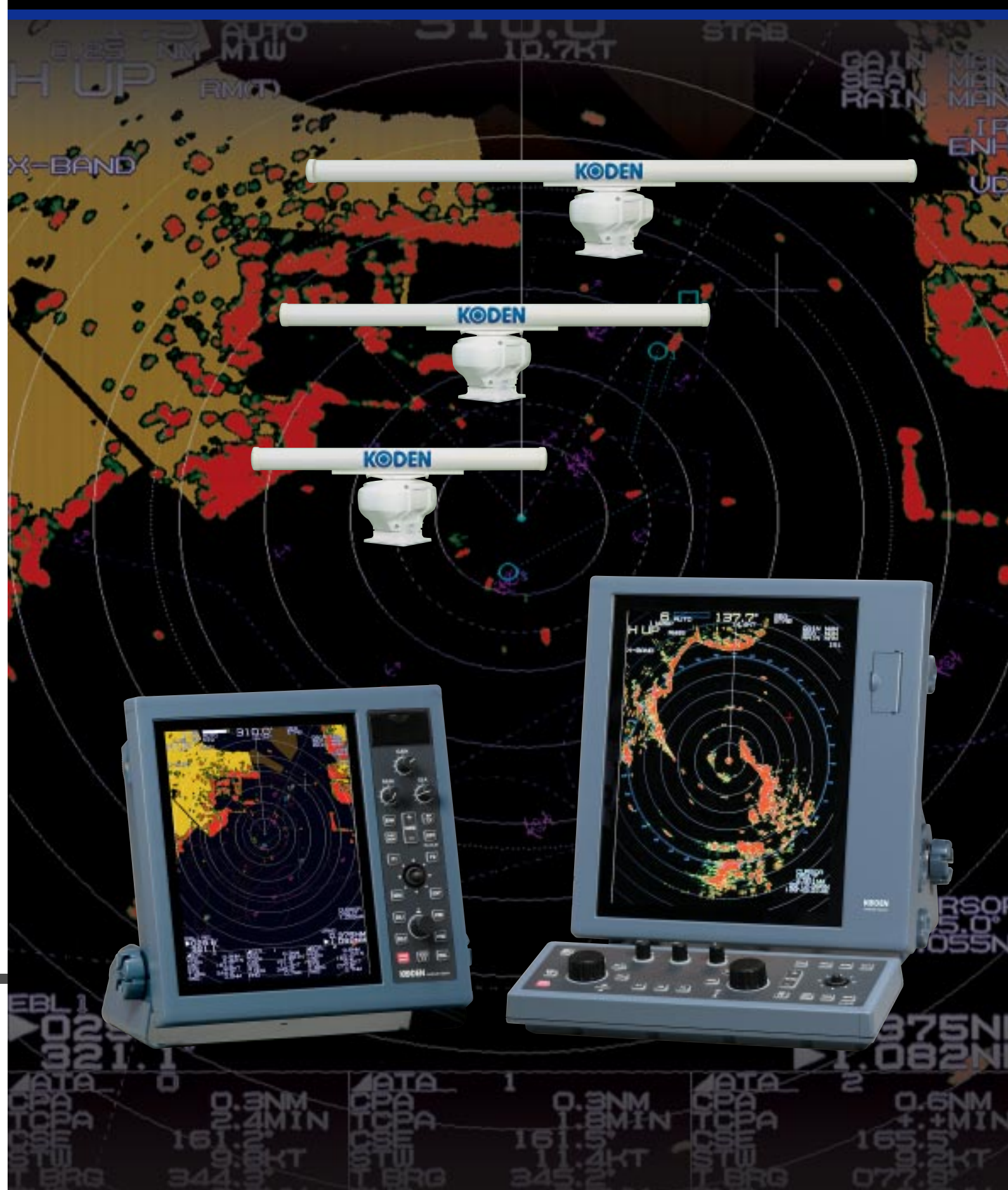
Standard Equipment			
Antenna-scanner unit	Antenna	RW701A-03	3 feet
		RW701A-04	4 feet
		RW701A-06	6 feet
		RW701B-09	9 feet
	Scanner	RB716A	4 kW
	RB717A	6 kW	
	RB718A	12 kW	
	RB719A	25 kW	
Display unit	MRD-101	For MDC-2200 series	
	MRD-102	For MDC-2500 series	
Operation unit	MRO-102	For MDC-2500 series	
Connecting cable	242J159098B	15 m with connectors on both ends	
DC power cable	CW-259-2M		
Operation manual, Installation material, Spare parts kit			

**Option**  
AIS interface, Gyro-Log interface, Power rectifier, AC power cable, Connecting cable for external monitor

### DIMENSIONS AND WEIGHT



• Design and specifications are subject to change without notice.



# High-end Radar series forming a class apart!

MDC-2200 / 2500 series are high performance and multi-function Radars with the essence of Koden's latest technology.

In all phases including accuracy, stability, and reliability, the series achieve the highest-grade in the market.

## Wide Variation

Offered with two display sizes, a 12-inch display with operation panel housed in a single compact case and a convenient two piece 15-inch unit with separate keyboard for multiple installation locations. Both units have high-resolution XGA (1024 x 768) grade LCD, which is extraordinary for the 12-inch LCD display.

Also you can select the Antenna-Scanner Unit from a wide variety of output powers and lengths to best fit your application or site circumstances.

### ● 12-inch (The highest resolution of the class)

MDC-2240: 4 kW, 3 feet / 4 feet Open

MDC-2260: 6 kW, 4 feet / 6 feet Open

MDC-2210: 12 kW, 4 feet / 6 feet Open

MDC-2220: 25 kW, 6 feet / 9 feet Open

### ● 15-inch

MDC-2540: 4 kW, 3 feet / 4 feet Open

MDC-2560: 6 kW, 4 feet / 6 feet Open

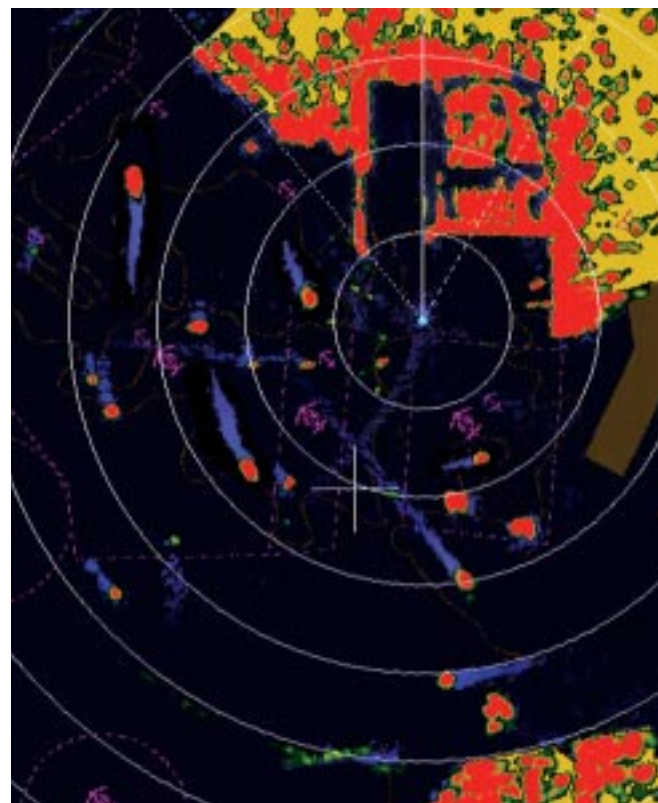
MDC-2510: 12 kW, 4 feet / 6 feet Open

MDC-2520: 25 kW, 6 feet / 9 feet Open

## True trail function

The display shows exact movement of other vessels like drawing tails, while land and buoys are shown as stationary objects even while your vessel is moving.

This makes it easy for you to distinguish moving from stationary objects.

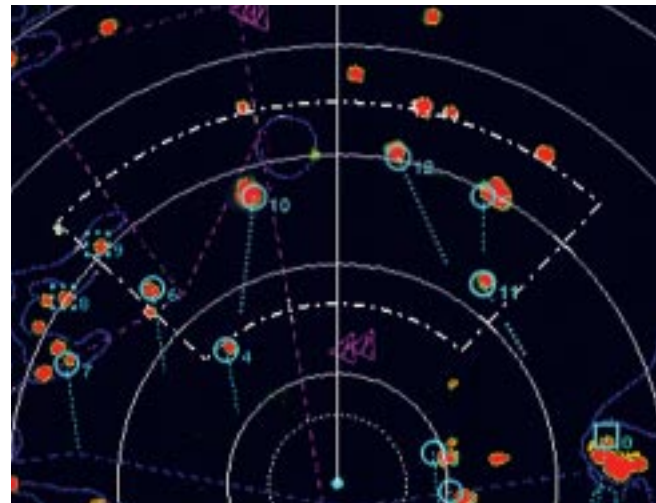


## ATA with up to 50 targets as standard

The convenient ATA (Automatic Tracking Aid) function comes as standard.

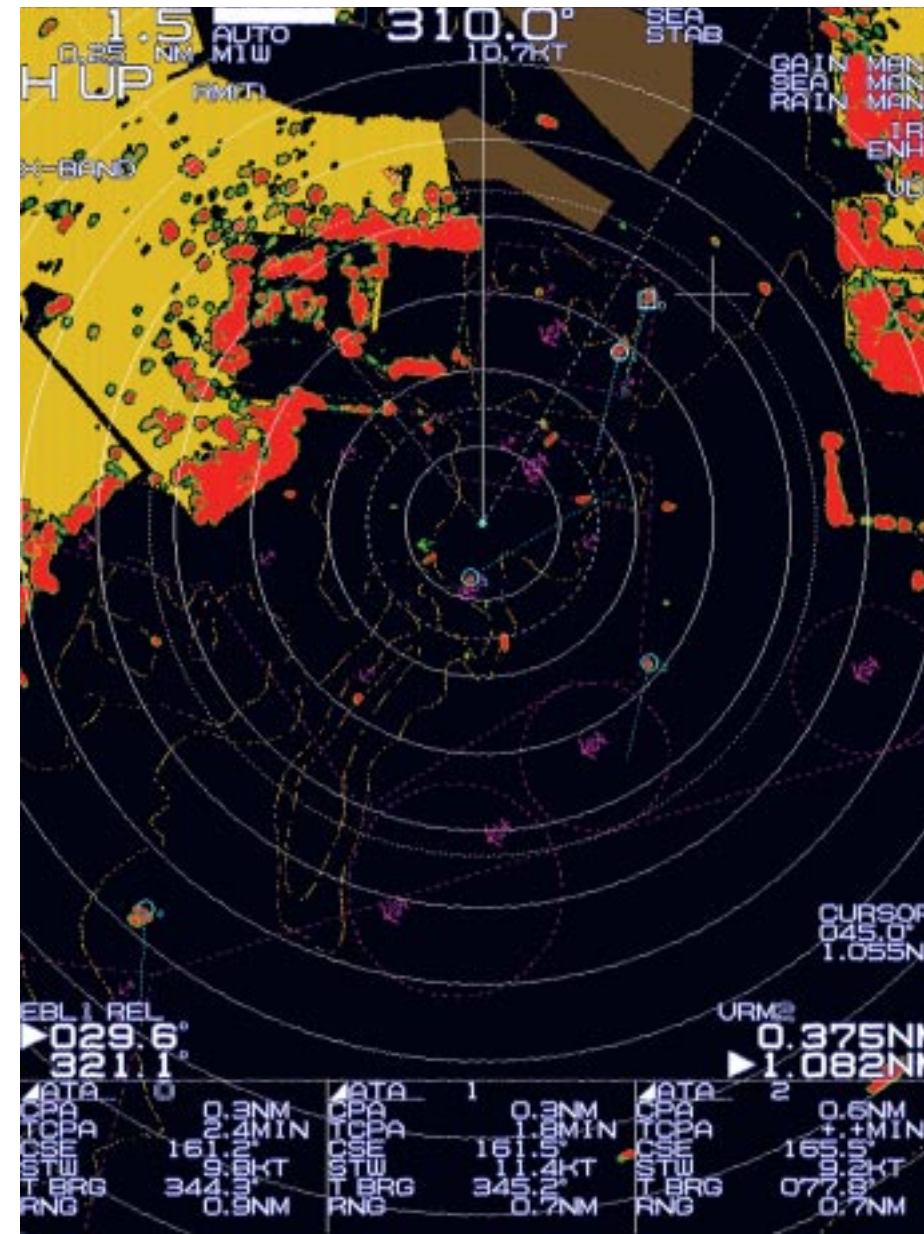
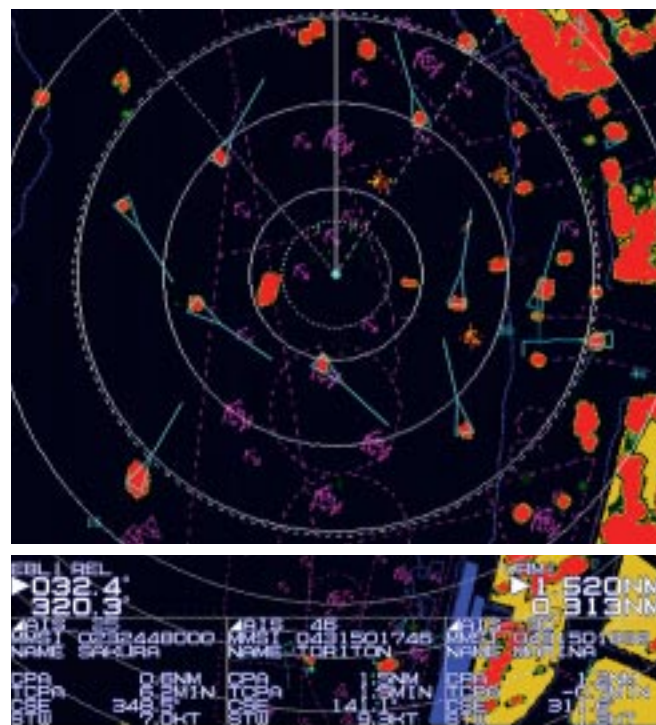
The latest movements of other vessels can be shown instantaneously in vector form and numeric form, ensuring safe navigation.

If the automatic acquisition zone is set, the targets up to 50 entering the zone will be locked automatically.



## AIS interface up to 200 targets as option

When connected with an AIS receiver, the radar displays information on up to 200 targets including the vessel name, heading, and speed of each vessel with an AIS transmitter mounted.



## Map Overlay with C-Map chart (NT+ or NT MAX)

C-Map chart NT+ or NT MAX (owner supplied) is overlaid on the radar screen to provide clear radar pictures of coastlines, buoys, and other features.\*\*

Even in Head-up mode, the chart follows smoothly in accordance with change of the heading of vessel.

Furthermore, waypoints, buoys, and hazardous targets can be overlaid for safer navigation.

C-Map NT MAX "World Wide" background chart is built-in as standard.

\*\* Basic chart information only. Extra features of C-Map such as photo indication are not available.

## Dual Station


One antenna can be operated from two displays. This is highly effective for navigation of a double ended vessel with bridges in the bow and stern.

### Display of other vessels' tracks to plotter screen

When connected with a Koden Chart Plotter, other vessels' tracks locked with the ATA can be plotted on the screen of plotter.

You can get other ships' movements at a glance with this function, which is highly useful and effective for group fishing operation.

The number of the track plots depends on specification of plotter.



Display example with Koden Chart Plotter GTD-110 / 150