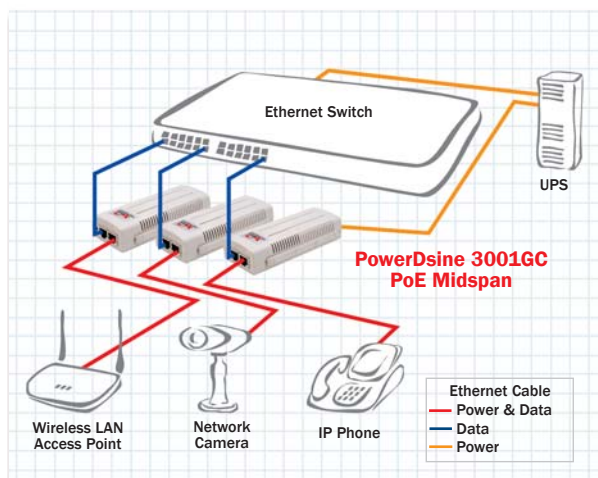


# PowerDsine® 3001/3001GC

Up to Gigabit PoE for Security Network and Low Terminal Density Installations



## Overview

PowerDsine's 3001/3001GC Power over Ethernet (PoE) single port Midspan (PoE injector) offers a compact and cost effective, fully IEEE 802.3af compliant solution for security network and other low port density IP Terminal installations.

The 3001 PoE Midspans provide a compact, affordable, safe and reliable power solution over existing Ethernet infrastructure.

## PD-3001/3001GC Features

- Cost-effective power distribution for WLAN access point installations
- Safe powering of 802.3af compliant, as well as Pre-standard end-terminals
- Investment protection of existing Ethernet switches and cabling infrastructure
- Saves time and reduces installation costs
- Easy plug-and-play installation
- Several units can be mounted adjacently for powering more than one Ethernet terminal
- Cleans up low-density wireless LAN deployment and eliminates the need for multiple one-port PoE solutions
- Supports Gigabit Ethernet data transmission for applications such as Wi-Max access points, Gig IP phones, and IP cameras

## PD-3001/3001GC Specifications

<b>No. of Ports</b>	1
<b>Pass Through Data Rates</b>	<b>3001:</b> 10/100 Mbps <b>3001GC:</b> 10/100/1000 Mbps
<b>Power over Ethernet Output</b>	Pin Assignment and Polarity: 4/5 (+), 7/8 (-) Output Power Voltage: 48Vdc User Port Power: 15.4 Watts Max.
<b>Input Power Requirements</b>	AC Input Voltage: 90 to 264 Vac AC Input Current: 0.5A @ 110-220 Vac AC Frequency: 47 to 63 Hz
<b>Dimensions</b>	60 mm (W) x 31 mm (H) x 145 mm (L) 2.36 in. x 1.2 in. x 5.7 in
<b>Weight</b>	1 lbs (450g)
<b>Indicators</b>	System Indicator: AC Power (Green)  User Indicator: Channel Power (Green)
<b>Connectors</b>	Shielded RJ-45, EIA 568A and 568B
<b>Environmental Conditions</b>	Operating Ambient Temperature: 32° to 104°F (0 to 40°C)  Operating Humidity: Maximum 90%, Non-condensing  Storage Temperature: -4° to 158°F (-20° to 70°C)  Storage Humidity: Maximum 95%, Non-condensing  Operating Altitude: -1000 to 10,000 ft. (-304.8 to 3048 m)
<b>Reliability</b>	MTBF: 100,000 hrs. @25°C
<b>Thermal Rating</b>	300 BTU/Hr (@240VAC)
<b>Warranty</b>	1-year
<b>Regulatory Compliance</b>	IEEE 802.3af (PoE), RoHS Compliant WEEE Compliant, CE
<b>Electromagnetic Emission &amp; Immunity</b>	FCC Part 15, Class B with FTP cabling EN 55022 Class B (Conductive Emissions on Telecommunications Port) EN 55024 (Immunity), VCCI
<b>Safety Approvals</b>	UL/cUL Per EN 60950 GS Mark Per EN 60950

## Ordering Information



Part Number	Name	Description
PD-3001/AC	PowerDsine 3001	1-port 10/100 Mbps
PD-3001GC/AC	PowerDsine 3001GC	1-port 10/100/1000 Mbps