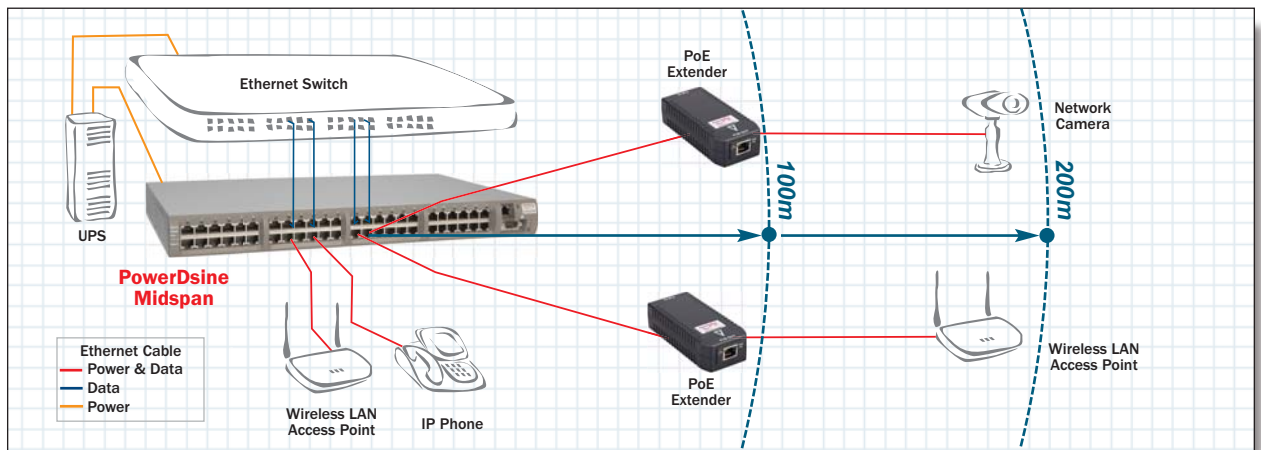


PowerDsine® PoE Extender

Extends Power over Ethernet Installations to 200 Meters



Overview

PowerDsine PoE Extender is a cost effective way to extend the Ethernet network range beyond 100m, delivering both data and power to network devices such as WLAN Access Points and Network Cameras up to a distance of 200m while complying with IEEE PoE and Data standards.

The PoE Extender supports 10/100/1000Mbps data rates and delivers 802.3at power levels, up to 25.5W. The PoE Extender does not require local power and is powered via the PoE input.

PSE Source	PD Available Power @ 200m
4-pairs IEEE802.3at PSE (60W) (e.g. PD-95xx Series)	25.5W (802.3at PD)
IEEE802.3at PSE (30W) (e.g. PD-90xx Series)	12.95W (802.3af PD)
IEEE802.3af PSE (15.4W) (e.g. PD-35xx, PD-65xx Series)	12.3W (802.3af Class 2 PD)

PoE Extender Features

- Extended PoE installation range by additional 100m
- Supports 10/100/1000Mbps data rates
- Provides 802.3af power levels when powered by any 802.3at source
- Provides 802.3at power levels when powered by PowerDsine 95xx Midspans
- Extenders can be cascaded to reach up to 500m
- Cost effective installation – no need for local power
- Plug and play installation – no configuration needed

Ordering Information



Part Number	Name	Description
PD-PoE Extender	PowerDsine PoE Extender	1-port, High Power, Gigabit Extender

PoE Extender Specifications

Pass Through Data Rates	10/100/1000 Mbps
Power over Ethernet Output	Pin Assignment and Polarity: 3/6 (+), 1/2 (-) Output Power Voltage: 45-55Vdc
Input Power Requirements	PoE, supports alternatives A and B DC Input PoE Voltage: 46-57 Vdc Max Input Current: 0.7A
Dimensions	110 mm x 50 mm x 30 mm 4.33 in. x 2 in. x 1.12 in
Weight	0.22 lbs (100g)
Indicators	System Indicator: DC Power Input/Output (Green) Ethernet Data Input/Output (Orange)
Connectors	Shielded RJ-45 female socket
Environmental Conditions	Operating Ambient Temperature: 32° to 104°F (0 to 40°C) (1G rate) 32° to 122°F (0 to 50°C) (10/100M rate) Operating Humidity: Maximum 90%, Non-condensing Storage Temperature: -4° to 158°F (-20° to 70°C) Storage Humidity: Maximum 95%, Non-condensing
Reliability	MTBF: 150,000 hrs. @25°C
Thermal Rating	17 BTU/Hr (@Full Load)
Warranty	1-year
Regulatory Compliance	IEEE802.3at (PoE), RoHS Compliant WEEE Compliant, CE
Electromagnetic Emission & Immunity	FCC Part 15, Class B EN 55022 Class B (Emissions) EN 55024 (Immunity), VCCI
Safety Approvals	UL/cUL Per EN 60950 GS Mark Per EN 60950