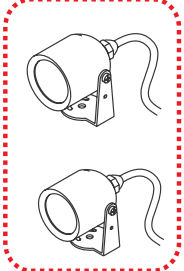
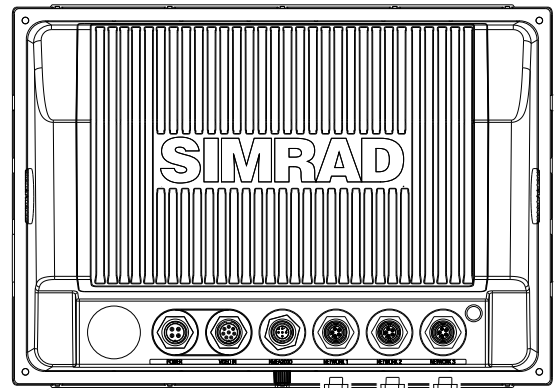
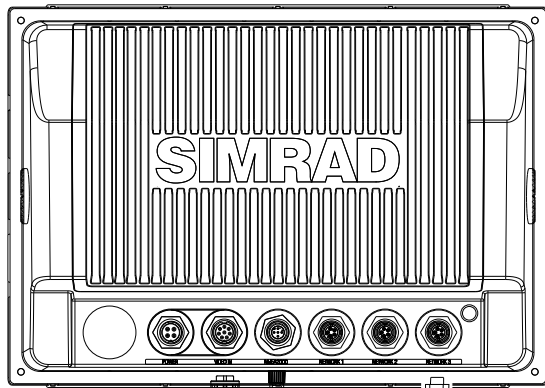
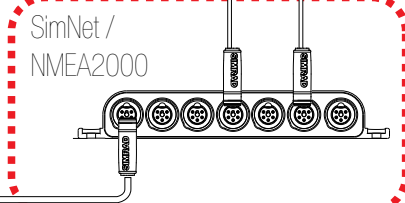
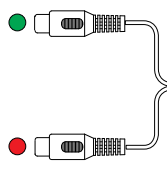


NSS12

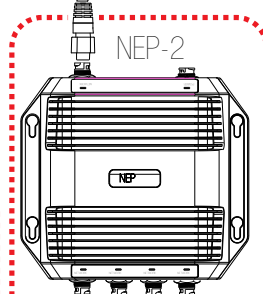
NSS12



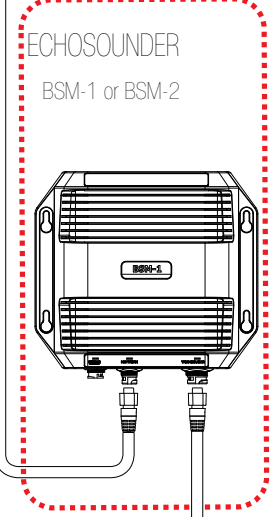
VIDEO IN



SimNet / NMEA2000



NEP-2



ECHOSOUNDER

BSM-1 or BSM-2

NMEA2000 / SimNet

- External GPS: GS15
- NSS has built-in GPS

AIS: NAIS300 / AI50

Auto Pilot: AP28/AP24

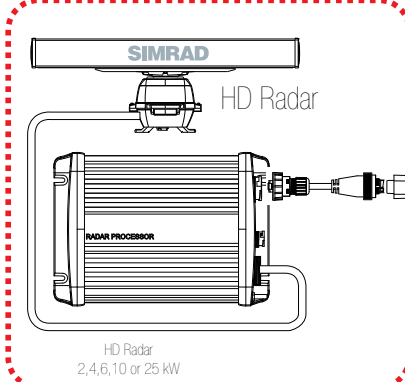
Heading Sensor: RC42

SonicHub

Engines: NMEA2000

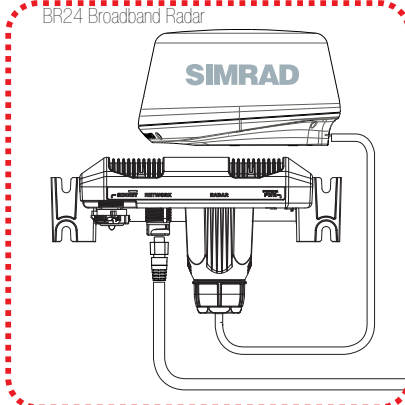
Instruments: IS20
Depth, Speed, Temp,
Wind, NMEA0183 Converters.

CZONE:
Vessel Management



SIMRAD

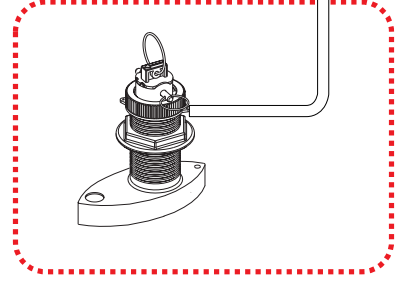
HD Radar



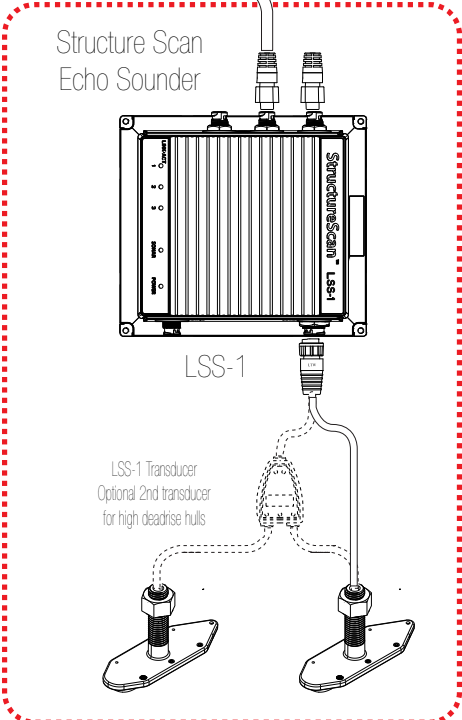
SIMRAD

BR24 Broadband Radar

HD Radar
2,4,6,10 or 25 kW

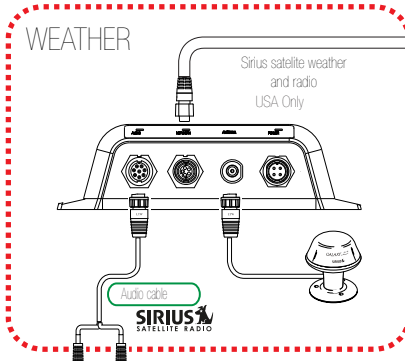


Structure Scan
Echo Sounder



LSS-1

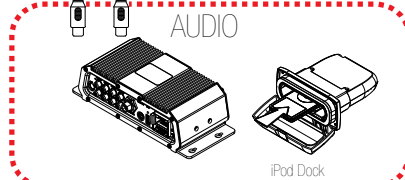
LSS-1 Transducer
Optional 2nd transducer
for high deadrise hulls



WEATHER

Sirius satellite weather
and radio
USA Only

Accessorio
opzionale



AUDIO

iPod Dock