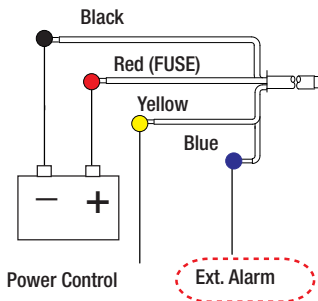
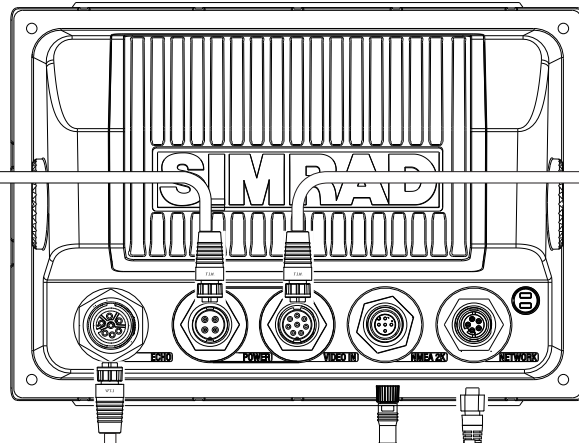


POWER 12 or 24 V DC

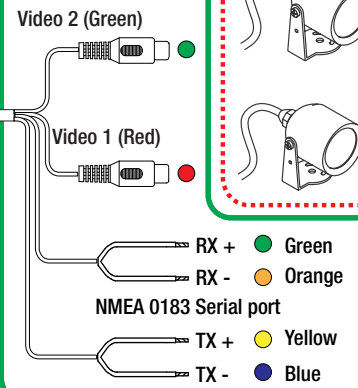


Built-in Broadband ECHOSOUNDER NSS7 and NSS8

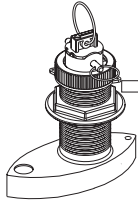
NSS7 or NSS8



VIDEO / DATA



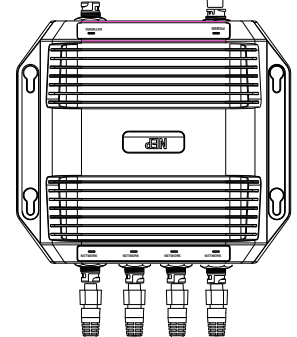
Wide choice of Transducers



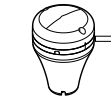
SimNet / NMEA2000



NEP-2



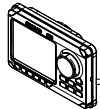
NMEA2000 / SimNet External GPS: GS15 NSS has built-in GPS



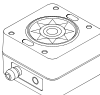
AIS: NAIS300 / AI50



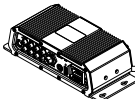
Auto Pilot: AP28/AP24



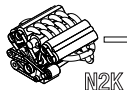
Heading Sensor: RC42



SonicHub



Engines: NMEA2000



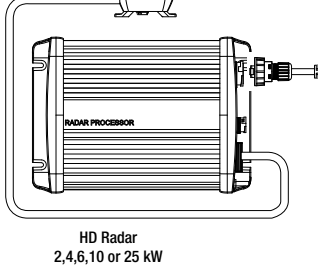
Instruments: IS20 Depth, Speed, Temp, Wind, NMEA0183 Converters.



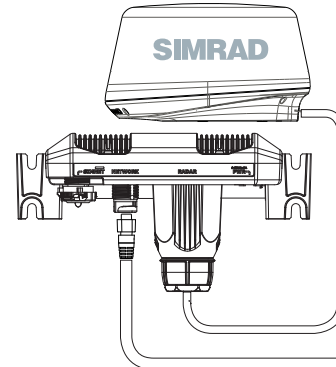
CZONE: Vessel Management



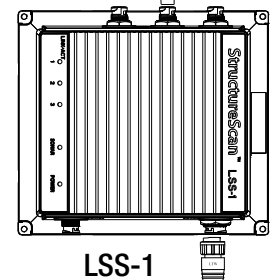
SIMRAD HD Radar



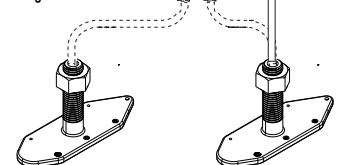
BR24 Broadband Radar



IMAGING SONAR



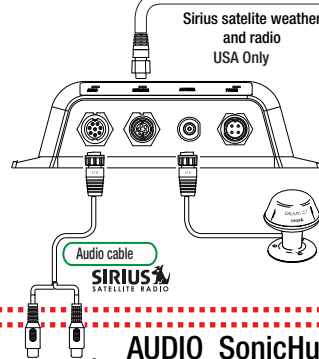
LSS-1 Transducer
Optional 2nd transducer for high deadrise hulls



Fornito con display NSS

Accessorio opzionale

WEATHER



AUDIO SonicHub

