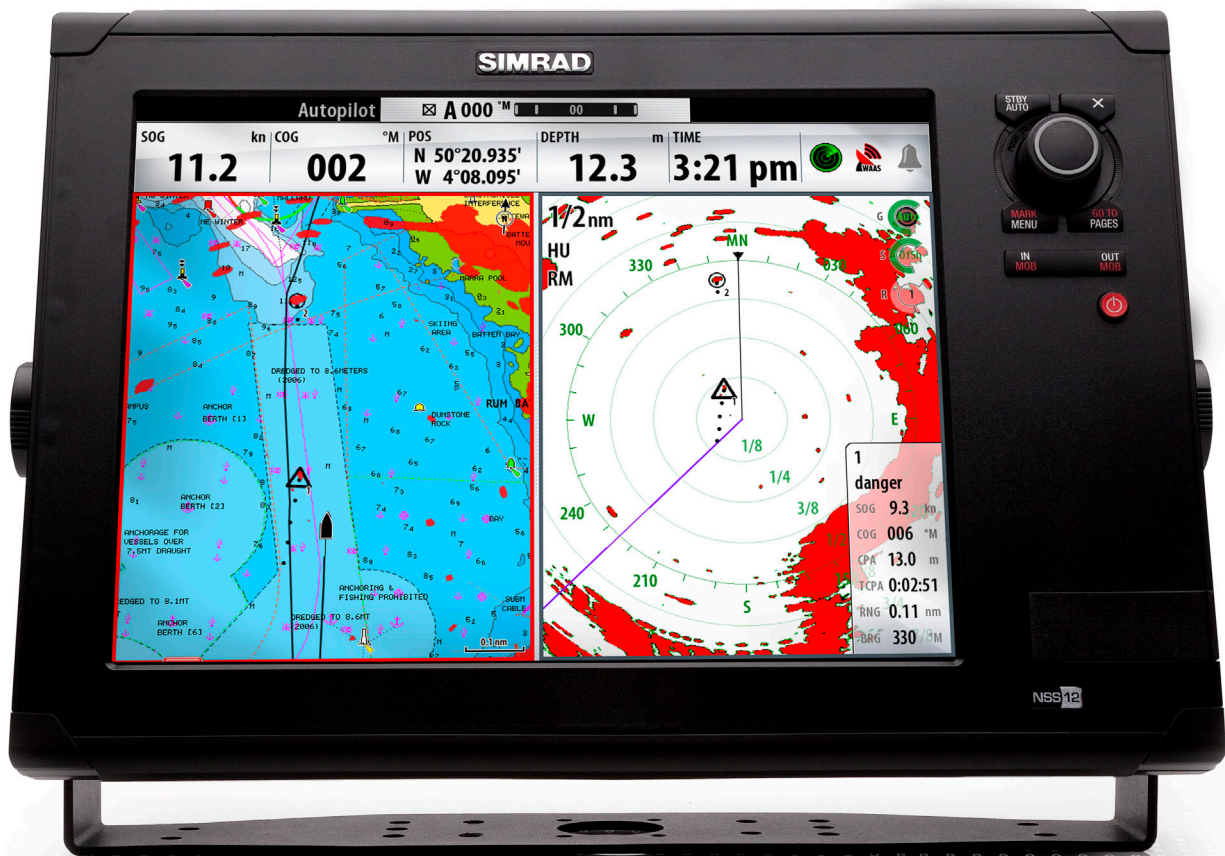


SIMRAD

Easy. Touch.

Simrad NSS Touch-Screen Multifunction Displays



NSS SPORT

A Touch simpler.

New
for 2011

Introducing NSS.

NSS SPORT

- ▶ Incorporating outstanding Simrad Touch Sensible™ technology, the all-new NSS Sport is *the* touch-screen navigation system for recreational boaters. Available with bright, sleek, and stylish 6.4-, 8- and 12.1-inch displays, the NSS Sport line is simple to use and easy to expand. Similar to NSE and NSO, the NSS range delivers best-in-class charting, radar and echosounder performance, as well as unique control and integration options.

A **Touch** simpler.



▶ We've worked hard to make Simrad NSS an easy choice.

▶ Extreme Ease of Use

Simple menus and icons on the touch-screen display guide you to the information you need, and the keypad includes one-touch buttons for immediate access to important functions such as autopilot. It's easy to use for everyone onboard.

▶ Touch Sensible™ Technology

Developed specifically for the marine environment, Touch Sensible™ technology is the combination of touch-screen, keypad, and smooth rotary controller. This perfect blend allows the NSS Sport to deliver unrivaled performance of every function with the simple touch of a finger, in any sea state.

▶ Fast, Fully Loaded Chartplotter

The NSS Sport is a fast and complete chartplotter, loaded with exclusive Nautic Insight™ U.S. coastal cartography detail. Pan charts, mark waypoints, and build routes with touch-screen ease, while enjoying ultra-fast and silk-smooth zooming with the rotary controller.

▶ Expandable

The NSS Sport is fully compatible and networks easily with every Simrad Yachting high-performance module. It can also be integrated with NSE and NSO systems for ultimate flexibility.

▶ Full Control and Integration

Monitor your engine, steer your autopilot, turn on your livewell or bilge pump, even set mood lighting – it's all a touch simpler with the NSS Sport.

▶ Bright

Unique LED backlighting technology allows the NSS Sport display to be bright, clear, and highly visible in every conceivable condition. This technology also reduces power consumption and increases product life.



Integrate everything

Innovative high-performance, plug-and-play modules make Simrad Navigation Systems best in class, in every class.



StructureScan™ Sonar Imaging

Revolutionary StructureScan™ Sonar Imaging creates the ultimate in reality echosounding. StructureScan™ Sonar Imaging provides wide coverage in high detail with SideScan, while the exclusive DownScan Imaging™ provides picture-perfect images of structure and fish directly below your boat for a true 180-degree view.

StructureScan™ Sonar Imaging high-speed Ethernet networking allows more than one compatible Simrad display to share one StructureScan™ Sonar Imaging transducer that can be viewed on all NSS, NSE and NSO units; plug-and-play Ethernet allows for quick, clean installation.



High-Speed GPS

The impressive, external 16-channel NMEA 2000® GPS antenna provides superior sensitivity for signal acquisition, with incredible position accuracy, in a compact size that is easily flush mounted. This advanced positioning antenna is compatible with NSS, NSE and NSO systems.

The NSS comes with a standard built-in antenna.



SonicHub™

SonicHub™ marine audio server integrates flawlessly with NSS displays to make your music more accessible when on the water, with a direct link to your entire music collection on your iPhone®, iPod®, iPod® touch and USB device with MP3s, without the need for a stereo head - selecting and playing music couldn't be simpler. Also networks with award-winning Simrad NSE and NSO displays.



Broadband Sounder™ Modules

(Built-in BSM-1 with NSS7 & NSS8)

Raising the bar in fishfinding technology, Simrad Broadband Sounder™ Modules (BSM) deliver incredible echo clarity and the highest underwater definition ever achieved. Choose either BSM-1 or BSM-2, depending on your needs, for best-in-class performance.



Digital Switching

Simrad Yachting breaks new ground with support for CZone™ digital switching from BEP Marine. CZone™ digital switching offers a new paradigm for cost-effective control and monitoring of nearly any system on your boat. The Simrad NSE can operate as a CZone™ controller. Control your lights, turn on your bilge pump, monitor tank levels – all from any NSS, NSE and NSO navigation system. Simrad and CZone™ – a partnership in Innovation.

Find out more: www.bepmarine.com 



Autopilot

The world's best-performing autopilot system integrates with NSS, NSE and NSO. Engineered to benefit both "space-challenged" dash layouts and multi-station expanded systems like flybridge boats, NSS, NSE and NSO autopilot integration offers tremendous flexibility. Control your autopilot like never before from your large, brilliant primary display. Better yet, new NSS Sport displays offer the ease of dynamic touch-screen control.



SIRIUS® Satellite Weather/Radio

For on-water safety and enjoyment, the WM-2 module with antenna delivers instant and accurate satellite weather displays and forecasts, plus digital stereo radio, for viewing and control by any NSS, NSE and NSO display. Available only in the U.S. and offers easy satellite radio connection to SonicHub™.

Requires SIRIUS™ weather and radio subscription, sold separately.



AIS

Integrate any NSS, NSE and NSO system with Simrad AI50 or NAIS-300 Class B AIS Systems to see and be seen. Overlay AIS-equipped vessel information on chart and radar displays for exceptional situational awareness.



Broadband Radar™

A revolution in radar unlike anything else on the recreational boating market, the Broadband Radar™ utilizes solid-state technology and provides superior target detection and separation at closer ranges, ease of operation and a new level of navigational safety.



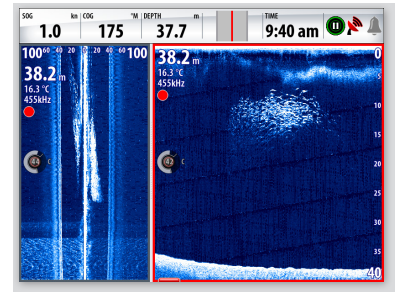
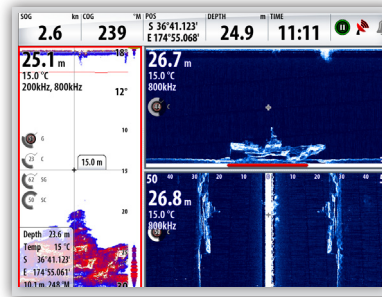
HD Digital Radar

Simrad Yachting offers a range of radome and open-array, digital-signal processing radar systems, working with power levels from 2 kW to 25 kW via high-capacity Ethernet networking. These radars ensure exceptional detection of small or distant targets, virtually eliminating screen clutter for a clear and accurate image.

True innovation

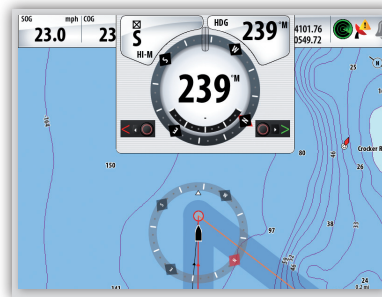
StructureScan™ Sonar Imaging

- View picture-perfect images of structure and fish
- SideScan provides top-down panoramic bottom viewing on either side of the boat
- DownScan Imaging™ gives a life-like representation of water structure directly under the boat
- Clearly separate fish targets from surrounding structure using DownScan Overlay™



Autopilot

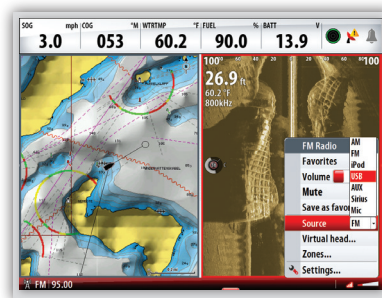
- Fully control your Simrad Autopilot from any any NSS, NSE and NSO display
- Alter course with the Rotary Controller or Cursor Pad
- Dedicated Standby / Auto key and Pilot Status indicators allow safe, easy Pilot operation
- The NSS and NSE can replace or work together with an AP24 or AP28 controller
- Fully configure the Autopilot from any NSS, NSE or NSO display



▲ Combine charting, autopilot and vessel pages for unprecedented vessel control

SonicHub™ Marine Audio Server

- SonicHub™ integrates flawlessly with NSS, NSE and NSO systems
- The direct link to your entire music collection at the touch of a button
- Multi-zone technology gives you total control over the music playing in all areas of your boat
- Docking station specifically designed to protect your iPhone®, iPod® or USB device in the challenging marine environment
- Catch the latest weather forecast or listen to your favorite radio show

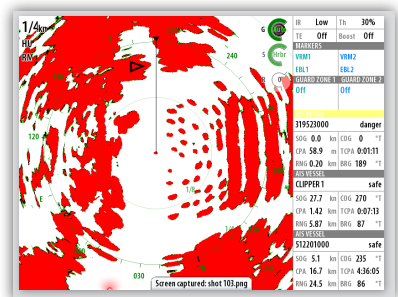
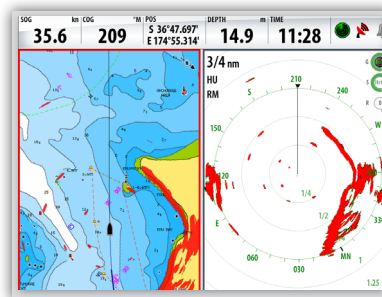


Made for iPod iPhone

▲ Exclusive waterproof marine onboard AV entertainment system with multi-display control access, flawless network system integration and boat-wide, multi-zone technology.

Broadband Radar™

- Crystal-clear image
- InstantOn™
- Low power consumption
- Extremely low emissions
- Quick installation
- Automatic clarity

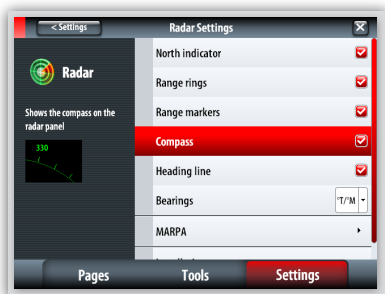


A Touch simpler.

NSS SPORT

“Charting, radar, echo, and complete boat control - all a touch simpler with NSS Touch Sensible™ technology.”

▶ PRODUCT LINE DIRECTOR, MIKE FARGO



▶ Clear, concise menus enable easy orientation and fine adjustment of each page.



▶ Simple icons provide instant access to the function you require.



▶ Drag and drop pages to set up custom screens in seconds with Touch Sensible™ technology.

▶ Autopilot LED's:
Get general steering confirmation at a glance. Surrounding the rotary controller are port and starboard LED's that indicate course adjustments.



▶ Built-in Broadband Sounder™ for NSS7 & NSS8:
Find more fish and improve your view with high definition echo clarity as standard.



▶ Built-in GPS:
Integrated GPS antenna for incredible position accuracy.



▶ Micro SD Charts:
Switching charts in seconds has never been so simple.



▶ Rotary controller:
Perfectly intuitive for fine or course control of gain, zoom and menu with push to enter functionality



▶ IPX7 Waterproofing:
Elegant yet rugged, and totally waterproof.



▶ Touch Sensible™ Technology:
The perfect combination of touch screen, keypad, and super-smooth rotary controller.



Extended Family

► NSO Offshore, NSE Expert and new NSS Sport systems

Operate on the same network and use the same control interface. Mix and match displays to accommodate nearly any helm requirement. Select the display that fits, then build your system with Simrad Performance Modules. It's that simple.

NSO OFFSHORE ▼

NSE EXPERT ►

NSS SPORT ▼



Simrad Yachting is pleased to announce our new extended family of networked navigation systems. The new NSS Sport range provides boaters with the ultimate Touch Sensible™ technology for total control with an easy-to-use interface. The NSO Offshore and the NSE Expert systems both operate on the same network as the NSS Sport, so you can mix and match displays to accommodate nearly any helm requirement. Simrad displays are now available from 6.4 inches to 19 inches.



NSO OFFSHORE

- ▶ For vessels with larger helm displays, Simrad NSO Offshore line makes a perfect fit. Sleek and stylish, 10, 15 & 19 inch NSO displays are versatile and easy to expand. Based on the Simrad NSE platform, the NSO delivers best-in-class charting, sounder, and radar performance, as well as unique control and integration options.

NSE EXPERT

- ▶ Easy-to-use, bright visible displays with uncluttered presentation. Simrad NSE 8- and 12-inch multifunctional displays provide professional-level performance with sophisticated charting, radar and echosounder integration. With powerful networking and vessel integration capabilities, NSE provides comfort and control.

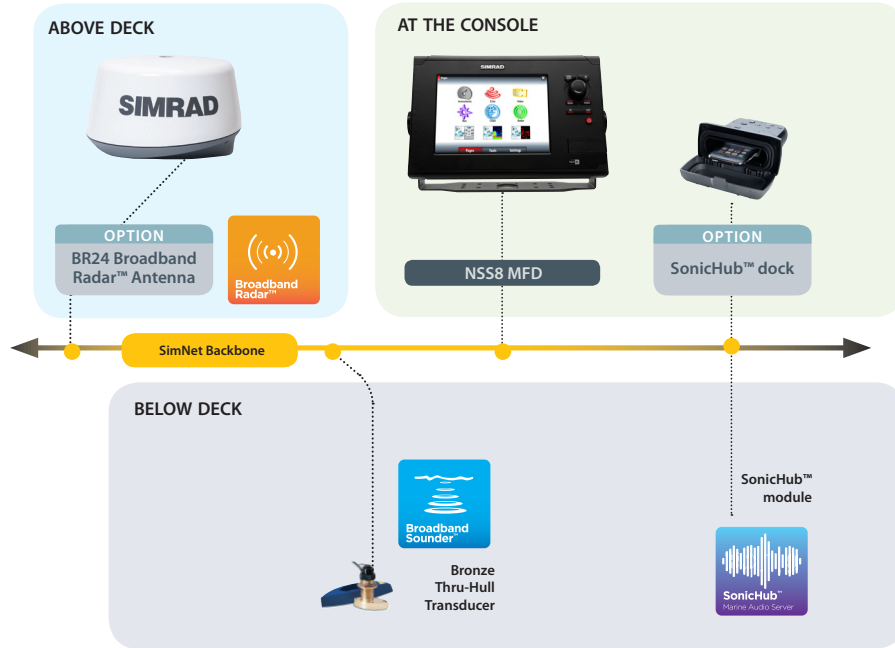
NSS SPORT

AVAILABLE MAY 2011

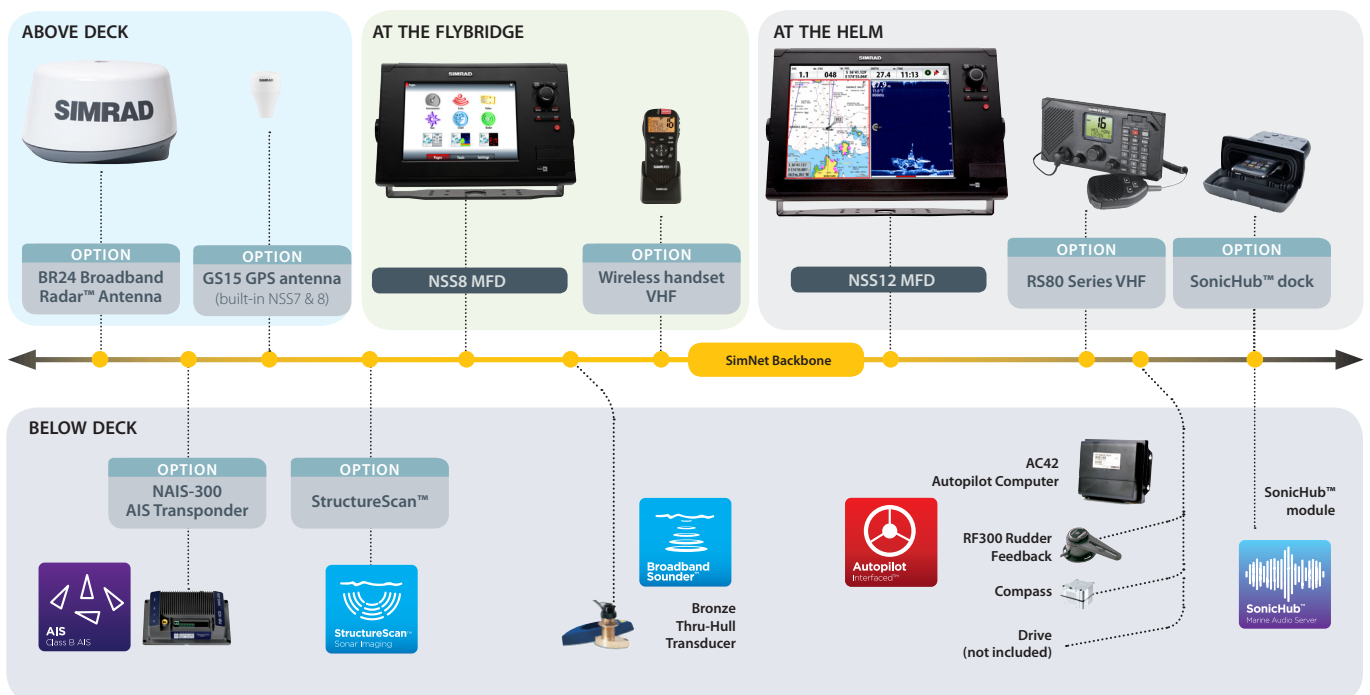
- ▶ With Touch Sensible™ technology, the all-new Simrad NSS Sport touchscreen is extremely simple to operate. The bright and stylish 6.4-, 8- or 12-inch make them the perfect partner for every recreational boater. With full networking capabilities, NSS offers effortless performance and integration.

Suggested Systems

Single Display

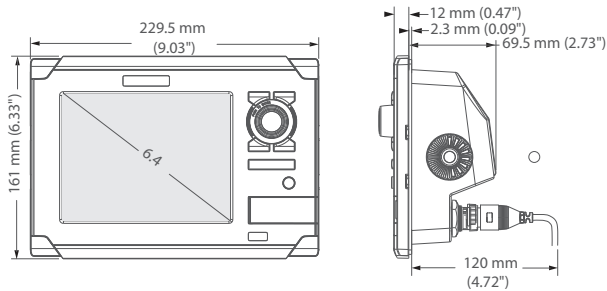


Dual Display

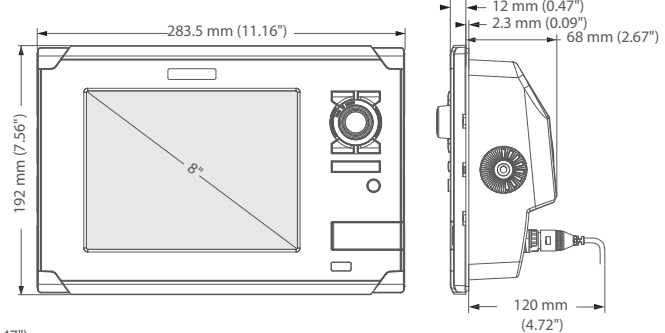


Dimensions

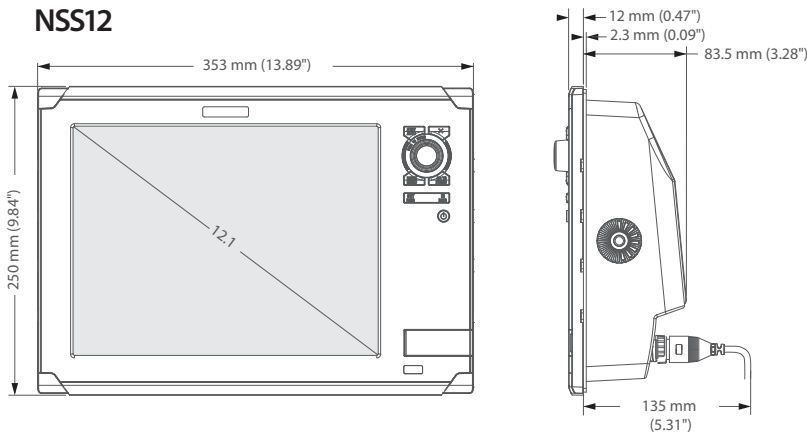
NSS7



NSS8



NSS12



Specifications

NSS Specifications

	NSS7	NSS8	NSS12
Display			
Type	6.4-inch VGA Color TFT LCD	8-inch SVGA Color TFT LCD	12-inch XGA Color TFT LCD
Screen Resolution	480 x 640 (H x W)	800 x 600 (H x W)	1024 x 768 (H x W)
Screen Brightness	1200 nits	1200 nits	1200 nits
Touch-screen Display	YES	YES	YES
Weight (Head unit only)	1.6kg / 3.5lb	2.1kg/ 4.6lb	3.78 kg/ 8.3 Lbs
Mechanical	Plastic housing; Die Cast Rear Heatsink		
Echosounder (Sonar)			
Sonar Frequency	50/200 or 83/200 kHz	50/200 or 83/200 kHz	Not Applicable
Sonar Output Power	Max 250W Peak to Peak (31W RMS) actual	Max 250W Peak to Peak (31W RMS) actual	Not Applicable
Sonar Depth	Max 5000 ft \ 1524 m	Max 5000 ft \ 1524 m	Not Applicable
Interface			
Ethernet	1 Port	1 Port	3 Port
Interface - NMEA 2000®	Micro C (1)		
Video Input	Composite Video x (2) (multiplexed)		
SD Card Slot	Micro SD (1)		
Environment			
Temperature	-15 Deg C to +55 Deg C (+5 Deg F to +131 Deg F)		
Waterproofing	IPx7		
Power			
Power supply	12.0 V DC-24.0 V DC (9.0 - 32.0 V DC Min-Max)		
Power consumption	10.4W or 0.8A @ 13VDC	15.6W or 1.2A @ 13VDC	26W or 2.0A @ 13VDC
Certificates of Conformity	CE(EN60945:2002)/Ctick/CCS		

SIMRAD

www.simrad-yachting.com

Products, features and specifications are the most recent available and are subject to change without notice. No liability can be accepted for errors or omissions in this document. 1102