

SV-830 SERIES DAY/NIGHT COLLISION AVOIDANCE CAMERA



SV-830 or 835 dome model
(Interior or Exterior)



SV-835 'bullet' model
(Interior or Exterior)



SV-830 or 835 wedge model
(Interior or Exterior)

The SV-830 series dome, wedge and 'bullet' cameras are compact mobile-rated cameras that mount easily in a variety of orientations. You can rely on this day/night camera to provide the clearest image possible, even in dim conditions.

SPECIFICATIONS

SV-830 Series Camera

Image Sensor	Standard: 1/4-inch color Sony® CCD Standard (CMOS): 1/4-inch color Micron® CMOS High Resolution: 1/3-inch color Sony® CCD
Signal Format	NTSC Standard / PAL
Lens Focal Length	2.6 / 4 / 6 / 8 mm
Minimum Illumination	0 Lux (0.5 Lux CMOS)
IR Illumination	High-intensity IRs
Synchronization	Internal
Resolution	Standard: 500 TV Lines High Resolution: 600 TV Lines
Picture Elements NTSC/PAL	Standard: 510 (H) x 492 (V) / 500 (H) x 582 (V) Standard (CMOS): 656 (H) x 492 (V) High Resolution: 768 (H) x 494 (V) / 768 (H) x 582 (V)
Signal-to-Noise Ratio	> 48 dB
IP Rating	Standard / High Resolution (Dome): IP65 Standard / High Resolution (Wedge): IP68
Power Supply	12V DC
Power Consumption	2.5W
Operating Temperature	-22°F ~ 158°F (-30°C ~ 70°C)
Audio	2V Peak to Peak at 94 dBA

Complete Versatility

The SV-830 Series Day/Night Camera can be configured to suit your needs. Available options include dome, interior wedge, and exterior wedge enclosures to install the SV-830 in a variety of environments and positions.

Multiple Focal Lengths

Additionally, four lens focal lengths are available to provide the optimal viewing angle for your application.

Designed for Compatibility

The SV-830 series cameras utilize standard Safety Vision connectors for use with any of Safety Vision's MDVR models.

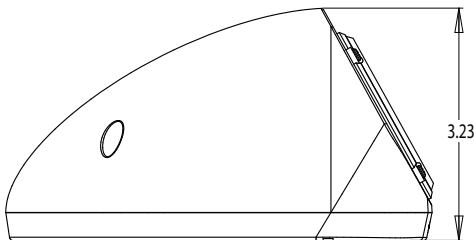
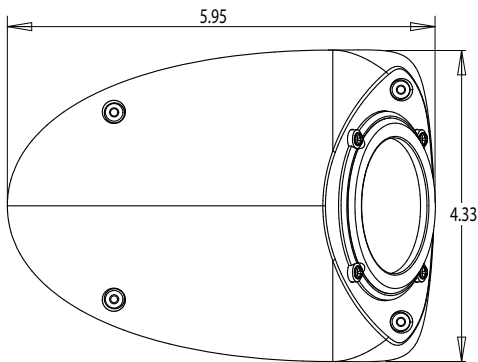
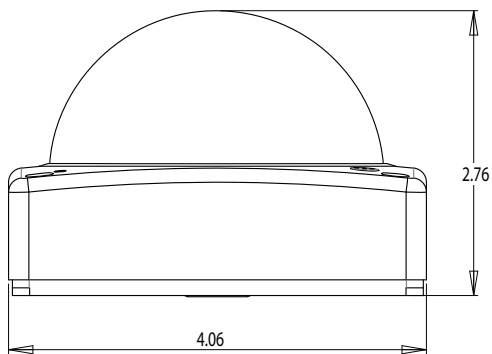
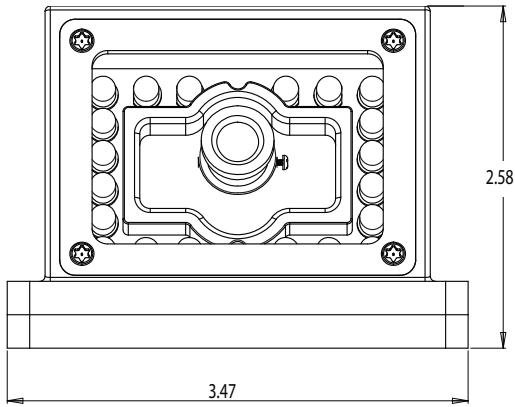
Enhanced Image Quality

The SV-835 series cameras provide an upgraded high resolution image sensor for incredibly detailed images.

Features

- IR LEDs provide outstanding night performance
- Camera pans and tilts for accurate positioning
- Hardware locks securely on all movements
- IP 68 rating protects camera for use outside or inside the vehicle (Wedge only)
- Camera rotates at least +/- 15 degree for off-angle mounting flexibility (Wedge only)
- Camera rotates 90 degrees to support side or top mounting flexibility (Wedge only)

SV-830 SERIES DAY/NIGHT COLLISION AVOIDANCE CAMERA



SV-830 Series Options

Use the following to determine the SV-830 series model camera that fits your needs.

Image Sensor

Select from:

- Standard Resolution (CMOS)
- Standard Resolution (CCD)
- High Resolution

Focal Length

Select from:

- 2.6 millimeters
- 4 millimeters
- 6 millimeters
- 8 millimeters

Enclosure

Select from:

- Interior Dome
- Interior Wedge
- Exterior Wedge

The SV-830 series cameras can be ordered in the PAL format.

Architecture and Engineering Specifications

The full color camera shall be a Safety Vision [dome / wedge / bullet] model SV-830. The camera shall incorporate a [1/4-inch / 1/3-inch] color [Sony CCD / Micron CMOS] image sensor. The camera shall produce a signal in the [NTSC / PAL] format. The lens focal length shall be [2.6 / 4 / 6 / 8] millimeters. The camera shall operate in [0 / 0.5] Lux conditions. The camera shall incorporate high intensity infrared illumination. The camera shall incorporate internal synchronization. The camera shall have a resolution of [500 / 600] TV lines. The camera shall output [510 x 492 / 500 x 582 / 656 x 492 / 768 x 494 / 768 x 582] picture elements. The camera shall possess a signal-to-noise ratio of greater than 48 decibels with an audio option. The camera shall require a regulated 12 volt direct current power supply. The camera shall consume less than or equal to 2.5 watts of power. The camera shall operate between -22 and 158 degrees Fahrenheit (between -30 and 70 degrees Celsius).

Warranty Agreement

Safety Vision's standard warranty for new items is one year. Extended warranties and advance replacement agreements also are available. Ask your sales or customer service representative for details.